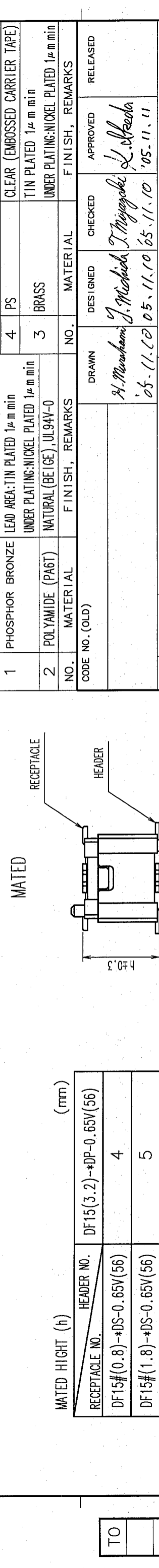
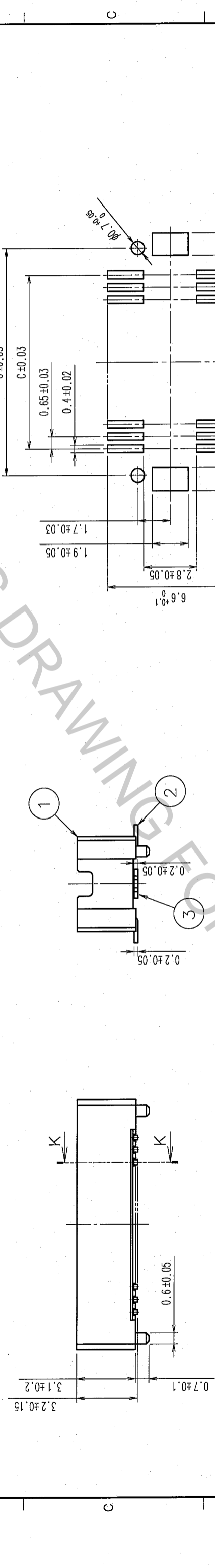
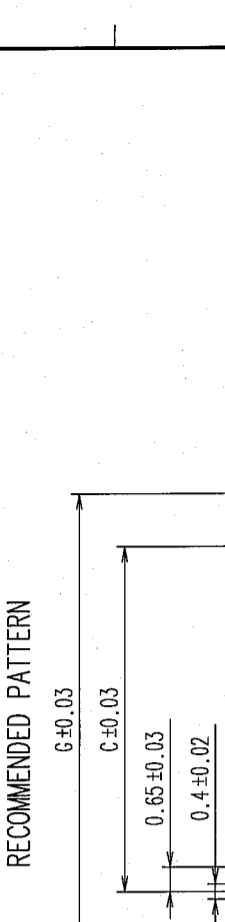


COUNT	DESCRIPTION OF REVISIONS	BY	CHKD	DATE	COUNT	DESCRIPTION OF REVISIONS	BY	CHKD	DATE
△					△				
△					△				
△					△				

PART NO.	CODE NO.	CONTACT	A	B	C	D	E	F	G	H	J
DF15(3.2)-20DP-0.65V(56)	CL677-0082-0-56	20	9.85	7.45	5.85	9.65	8.45	7.05	8.65	7.85	10.25
DF15(3.2)-30DP-0.65V(56)	CL677-0083-2-56	30	13.1	10.7	9.1	12.9	11.7	10.3	11.9	11.1	13.5
DF15(3.2)-40DP-0.65V(56)	CL677-0084-5-56	40	16.35	13.95	12.35	16.15	14.95	13.55	15.15	14.35	16.75
DF15(3.2)-50DP-0.65V(56)	CL677-0085-8-56	50	19.6	17.2	15.6	19.4	18.2	16.8	18.4	17.6	20.0



MATED HEIGHT (h)	RECEPTACLE NO.	HEADER NO.
	DF15#(0.8)-*DS-0.65V(56)	DF15(3.2)-*DP-0.65V(56)
	DF15#(1.8)-*DS-0.65V(56)	4
		5



NOTES 1. LEAD CO-PLANARITY INCLUDE REINFORCED METAL FITTINGS SHALL BE 0.1 mm MAX.

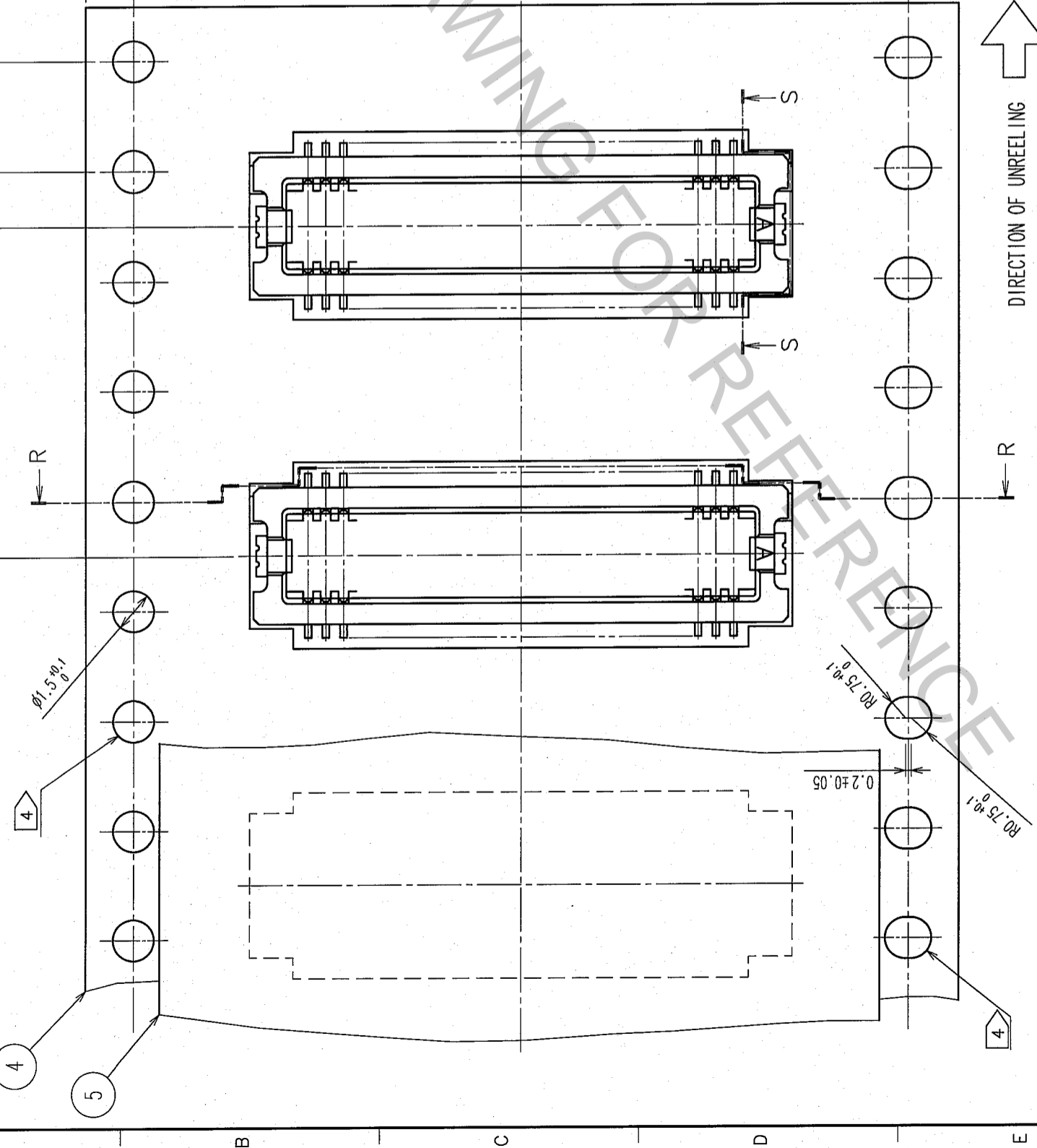
NO.	MATERIAL	FINISH, REMARKS	DESIGNED	CHECKED	APPROVED	RELEASED
6	PS	BLACK (PLASTIC REEL)				
5	POLYESTER	CLEAR (COVER TAPE)				
4	PS	CLEAR (EMBOSSED CARRIER TAPE)				
3	BRASS	TIN PLATED 1μm min				
		UNDER PLATING-NICKEL PLATED 1μm min				
		NATURAL (BEIGE), UL94V-0				

CODE NO. (OLD)	DRAWING NO.	DESIGNED	CHECKED	APPROVED	RELEASED
	EDC3-302773-05	A. Murakami	J. Michida	T. Miyajima	K. Ikeda
		05-11-02	05-11-10	05-11-10	05-11-11

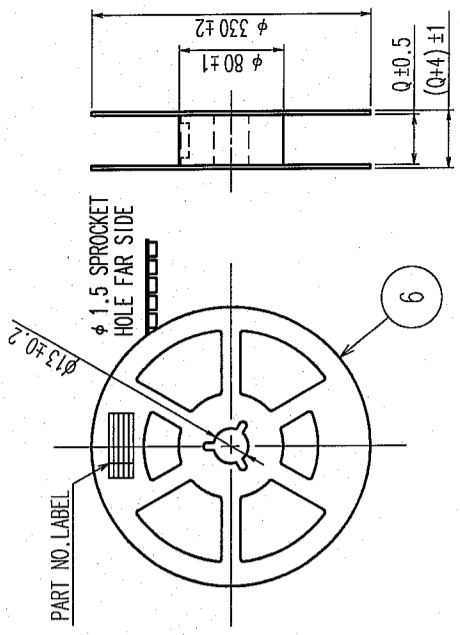
DRAWING NO.	PART NO.
EDC3-302773-05	DF15(3.2)-*DP-0.65V(56)

SCALE	UNITS	CODE NO.
5 : 1	mm	CL677

COUNT	DESCRIPTION OF REVISIONS	BY	CHKD	DATE	COUNT	DESCRIPTION OF REVISIONS	BY	CHKD	DATE



STYLE AND DIMENSION OF REEL (FREE)

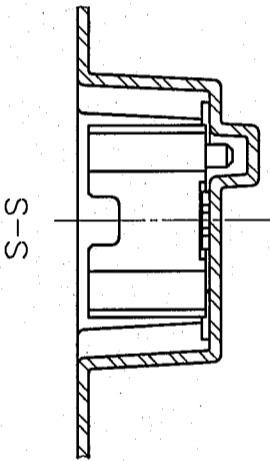


DETAIL OF PART NO. LABEL

SUPPLIER	年月日	年	月	日
QUANTITY	図番	CL677	-	****-**-56
PART NO.	品名	DF15(3.2)-*DP-0.65V(56)		
CODE NO.	納入数量	1000	Ko	
DATE OF MANUFACTURED	納入者	ヒロセ電機(株)		

- NOTES
- 1 REEL: 1000 CONNECTORS.
 - 2 AT THE BEGINNING OF THE REEL, 30 COMPONENTS SHALL BE EMPTY.
 - 3 AT THE END OF THE REEL, 20 COMPONENTS SHALL BE EMPTY.
 - 4 WHEN THE TAPE WIDTH IS 32mm, SPROCKET HOLES SHALL BE SET ON BOTH SIDES OF REEL AS SHOWN ON THIS DRAWING.
 5. PEEL FORCE REFERS TO JIS C 0806.

DIRECTION OF UNREELING



PART NO.	CODE NO.	L	M	N	P	Q
DF15(3.2)-20DP-0.65V(56)	CL677-0082-0-56	16.0	-	7.5	10.15	17.5
DF15(3.2)-30DP-0.65V(56)	CL677-0083-2-56	24.0	-	11.5	13.4	25.5
DF15(3.2)-40DP-0.65V(56)	CL677-0084-5-56	24.0	-	11.5	16.65	25.5
DF15(3.2)-50DP-0.65V(56)	CL677-0085-8-56	32.0	28.4	14.2	19.9	33.5

CODE NO. (OLD)	DRAWN	DESIGNED	CHECKED	APPROVED	RELEASED
	A. Maruyama	J. Michioka	T. Miyagaki	K. Ikeda	
SCALE	PART NO.				
5 : 1	DF15(3.2)-*DP-0.65V(56)				
UNITS	CODE NO.				
mm	CL677				
	2/2				

HIROSE ELECTRIC CO., LTD

