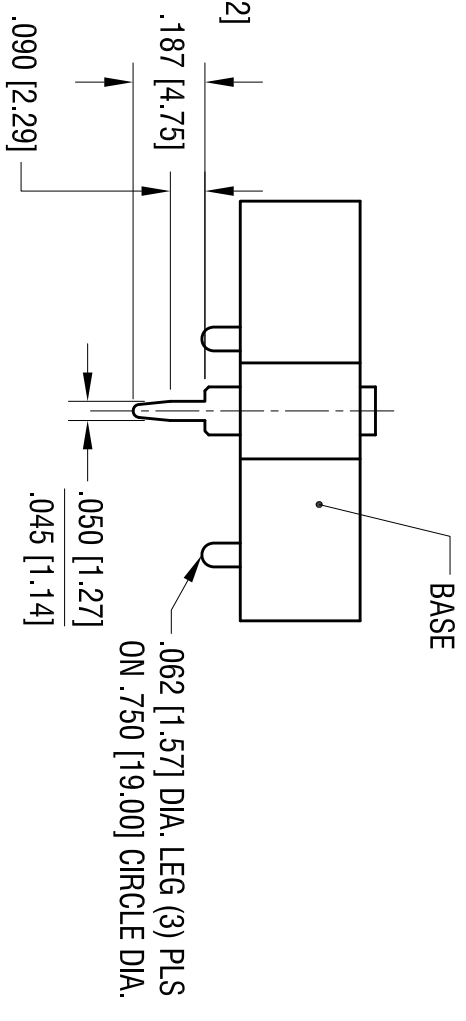
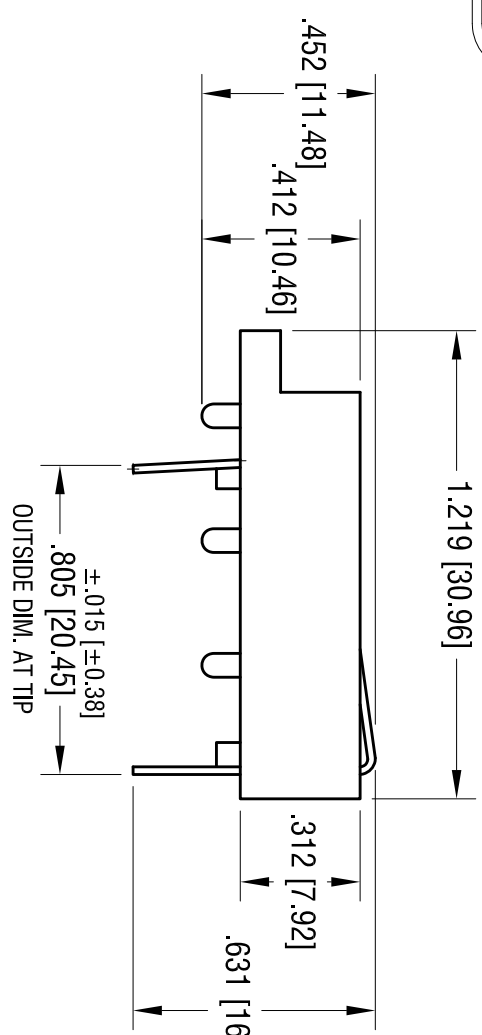
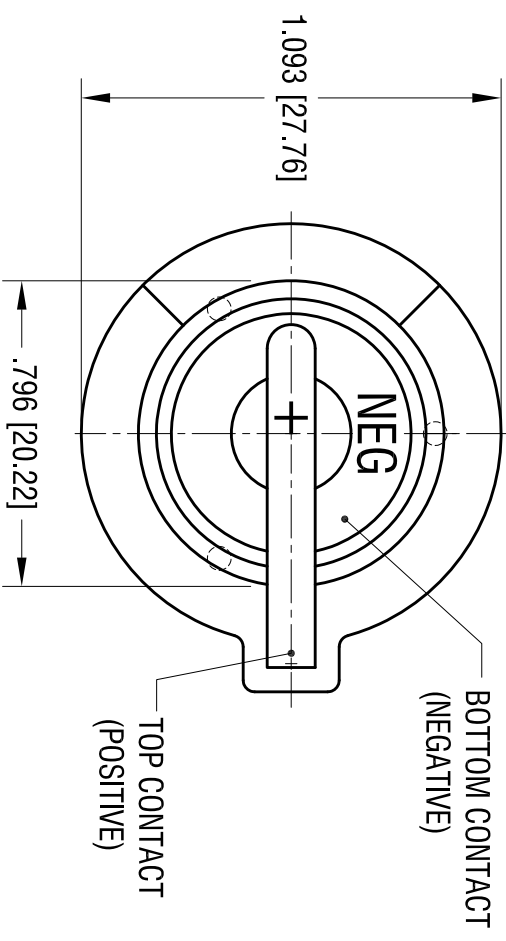
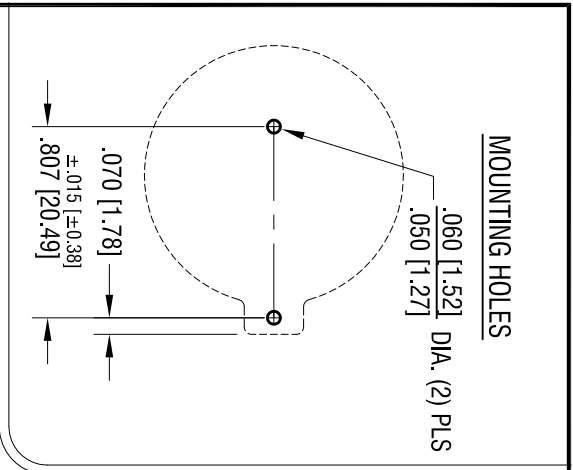
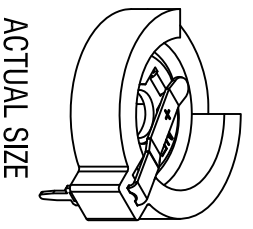


| DATE     | DESCRIPTION              | REV. |
|----------|--------------------------|------|
| 9.20.04  | CHANGE AS PER ECN 04-116 | D    |
| 11.02.11 | CHANGE AS PER ECN 11-145 | E    |
| 1.29.21  | CHANGE AS PER ECN 21-010 | F    |



- NOTES:
1. BASE:  
MATERIAL - PBT (UL 94V-0), COLOR BLACK
  2. CONTACTS (TOP AND BOTTOM):  
MATERIAL - .020 [0.50] THK SPRING STEEL  
FINISH: TIN NICKEL PLATE



**KEYSTONE ELECTRONICS CORP.**  
www.keystone.com • NEW HYDE PARK, NY 11040 • Tel (516) 328-7500

PART NAME: COIN CELL PC BATTERY HOLDER

MATERIAL: AS NOTED

FINISH: AS NOTED

TOLERANCES: INCH [MM] CODE  
DECIMAL ± .010 [± 0.25]  
ANGULAR ± 1°  
UNLESS OTHERWISE SPECIFIED

DRN BY: BOONE DATE: 8.15.84  
App'd: LN SCALE: 2X

1026

THIS DOCUMENT IS THE PROPERTY OF KEYSTONE ELECTRONICS CORP. AND SHALL NOT BE REPRODUCED, DISTRIBUTED OR USED AS A BASIS FOR MANUFACTURE WITHOUT PRIOR WRITTEN PERMISSION FROM KEYSTONE ELECTRONICS CORP.