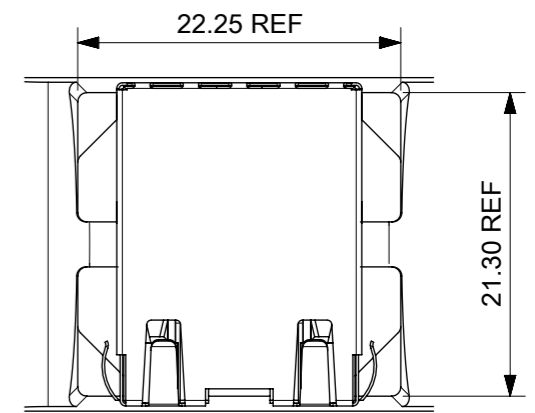
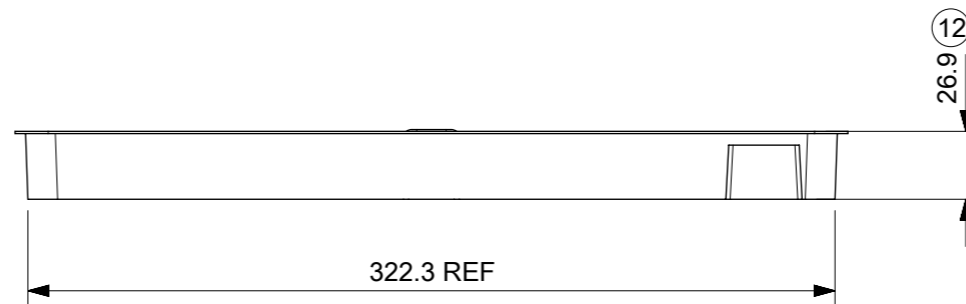
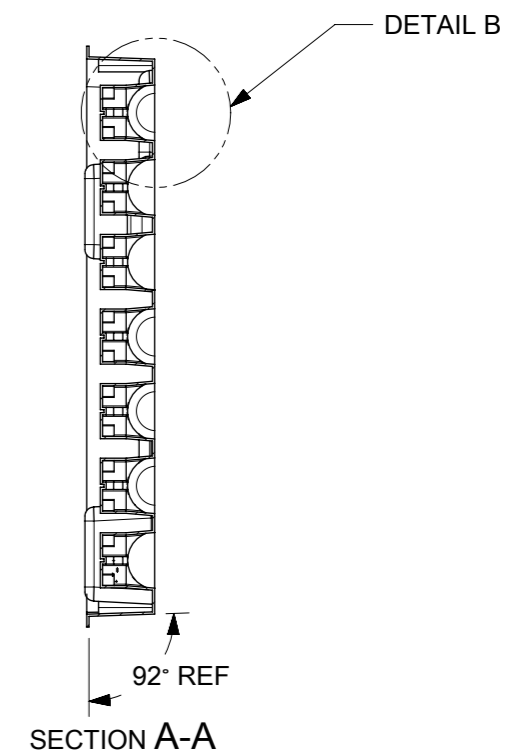
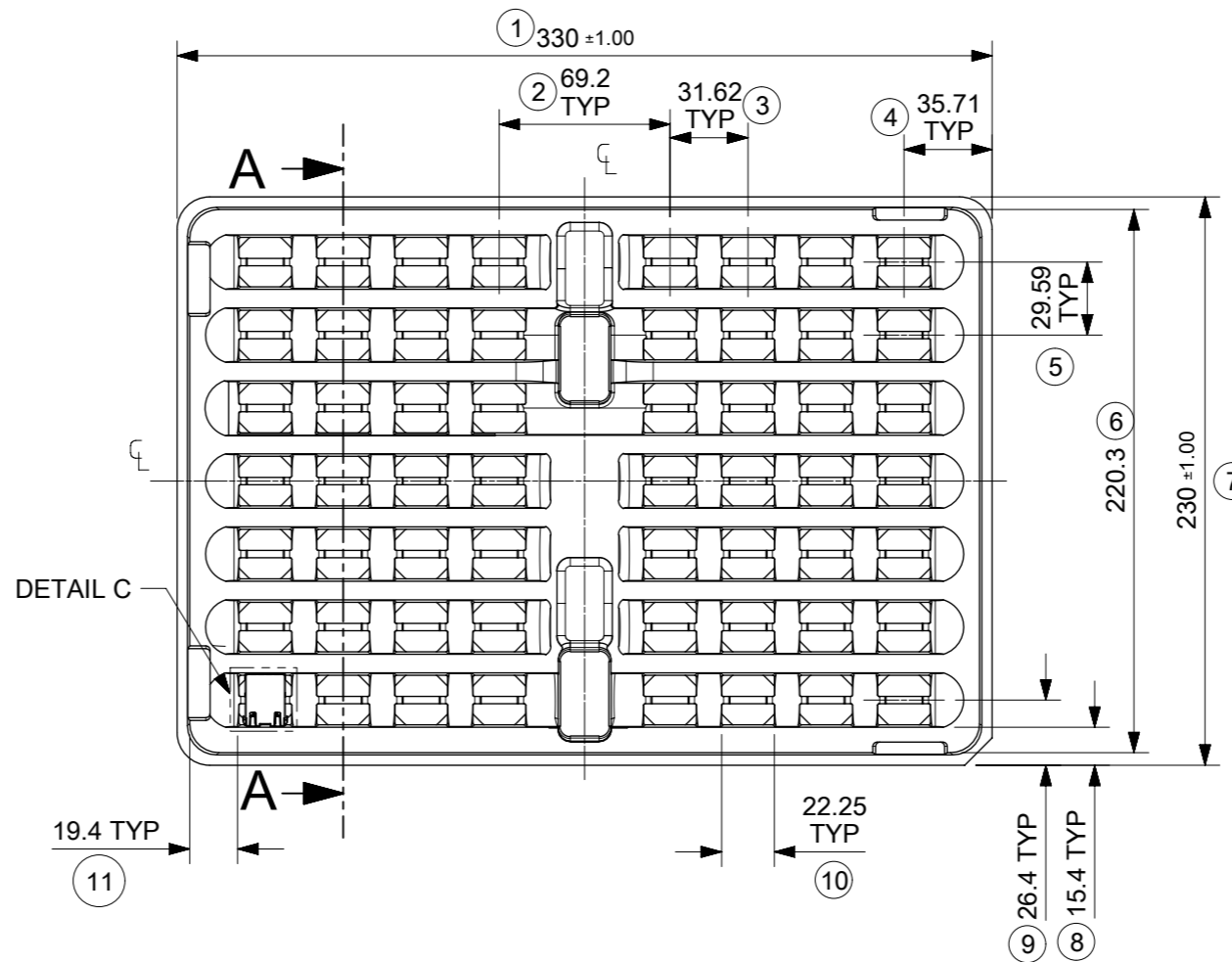


DETAIL B



DETAIL C
SCALE 2:1

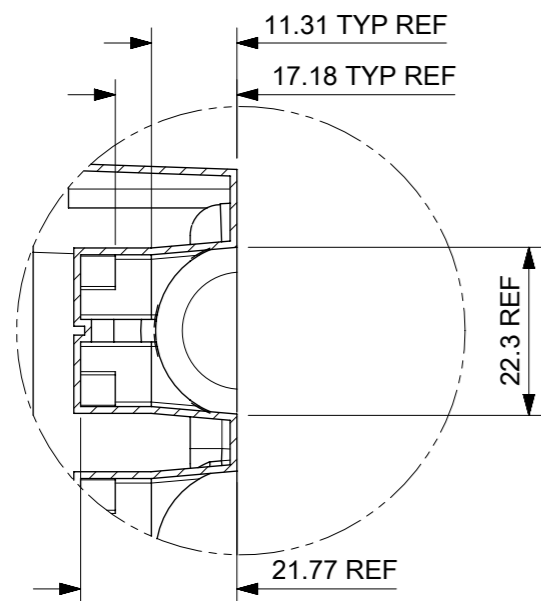


NOTES:

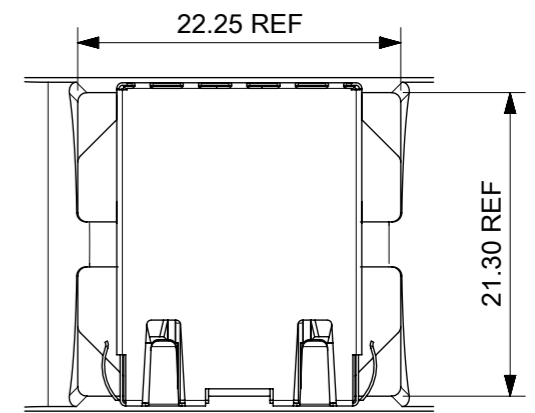
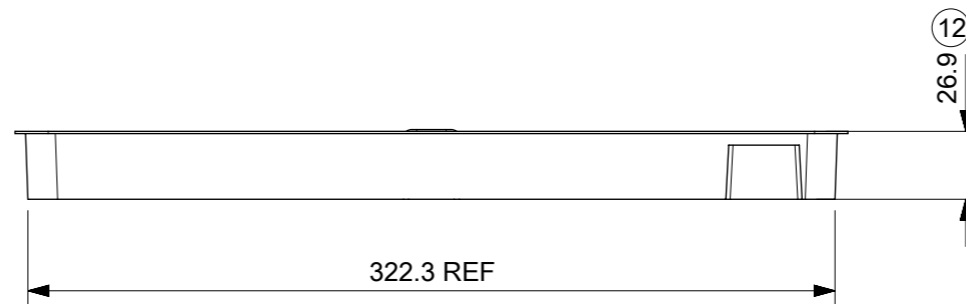
1. MATERIAL: PETA ANTISTATIC
2. THICKNESS: 0.9 mm ± 0.05 mm
3. COLOUR: CLEAR
4. BOW 2 mm MAXIMUM PER 330 mm
5. TWIST 2 mm MAXIMUM PER 330 mm
6. TRAY PART NO. AND RECYCLE LOGO TO BE CLEARLY MARKED ON TRAY
RECYCLE LOGO SHOULD BE APPROPRIATE TO MATERIAL USED
7. WHERE RELEVANT, DIMENSIONS SHOULD BE SYMMETRICAL ABOUT THE CENTRELINE
8. GENERAL PROFILE TOLERANCE $\overline{\cup}$ 0.40 ON NON DIMENSIONED FEATURES

LAST INSPECTION NUMBER USED: 12

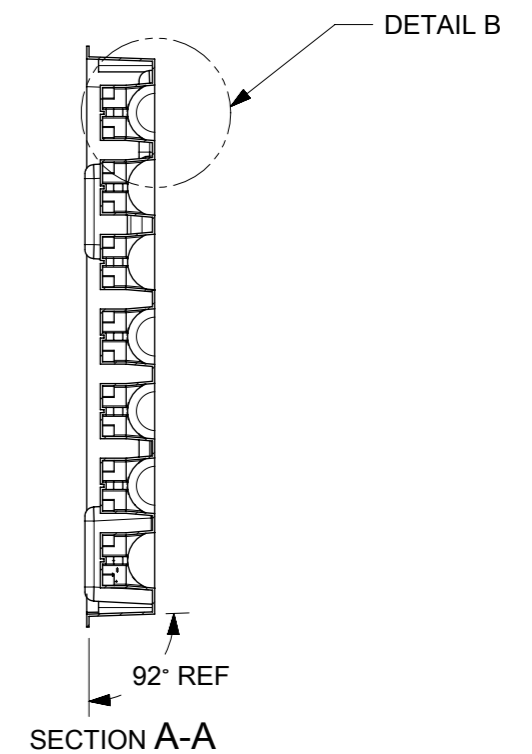
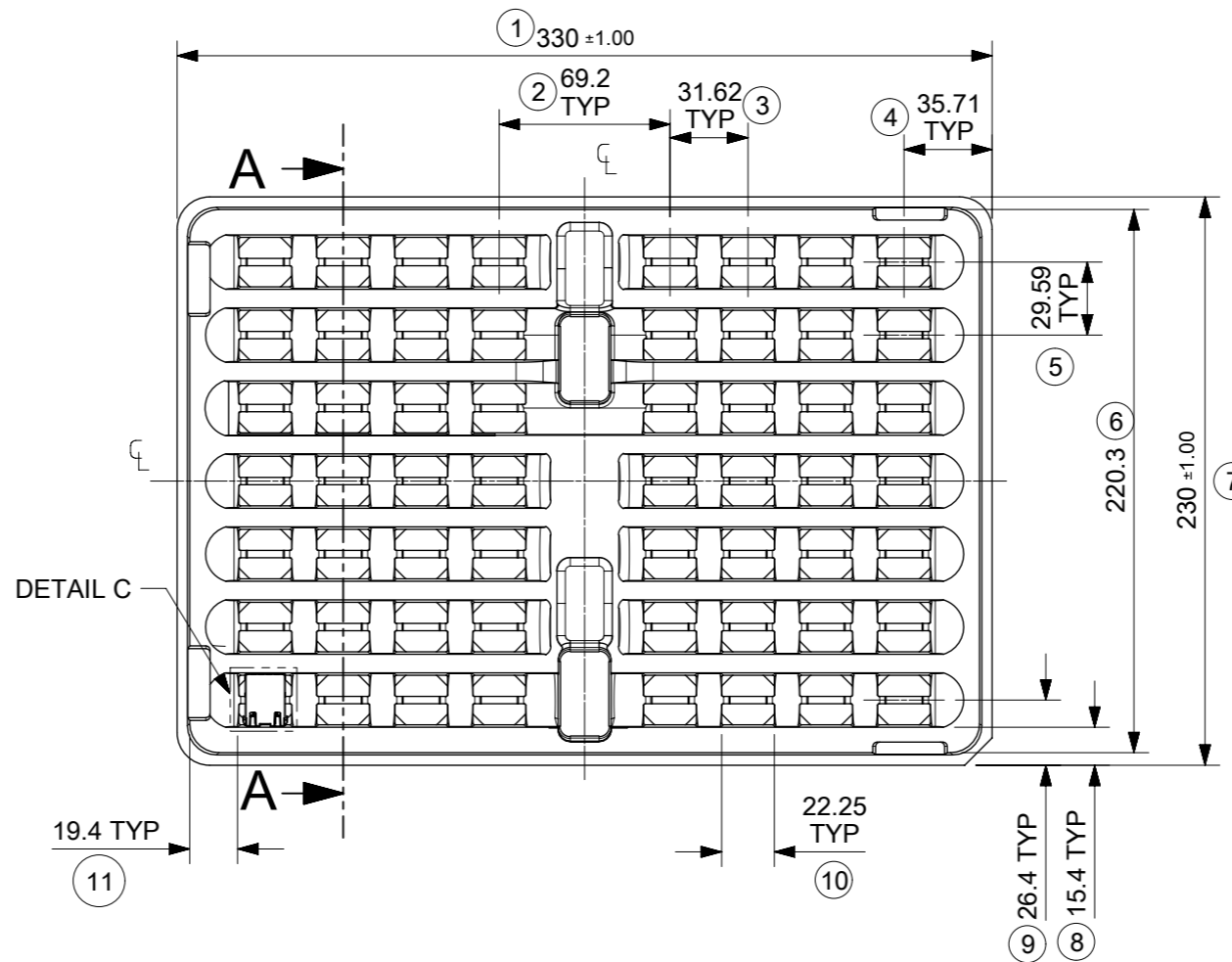
THIS DRAWING CONTAINS INFORMATION THAT IS PROPRIETARY TO MOLEX ELECTRONIC TECHNOLOGIES, LLC AND SHOULD NOT BE USED WITHOUT WRITTEN PERMISSION									
DIMENSION UNITS		SCALE		CURRENT REV DESC: REMOVED REFERENCE TO QUANTITY OF TRAYS PER STACK				molex	
mm		1:3							
GENERAL TOLERANCES (UNLESS SPECIFIED)				EC NO: 602124				MXMAG STANDARD AND INVERTED TRAY	
ANGULAR TOL ± 1.0°				DRWN: DSHEA		2018/09/07			
4 PLACES ±				CHK'D: DBYRNES		2019/01/25			
3 PLACES ±				APPR: DBYRNES		2019/01/25			
2 PLACES ± 0.2				INITIAL REVISION:				PRODUCT CUSTOMER DRAWING	
1 PLACE ± 0.5				DRWN: KREILLY		2016/05/06		DOCUMENT NUMBER	
0 PLACES ±				APPR: STGRIFFIN		2016/12/07		934620003	
DRAFT WHERE APPLICABLE MUST REMAIN WITHIN DIMENSIONS		THIRD ANGLE PROJECTION		DRAWING		SERIES		MATERIAL NUMBER	
				A3-SIZE		93462		990250150	
				CUSTOMER		GENERAL MARKET		SHEET NUMBER	
								1 OF 1	



DETAIL B



DETAIL C
SCALE 2:1



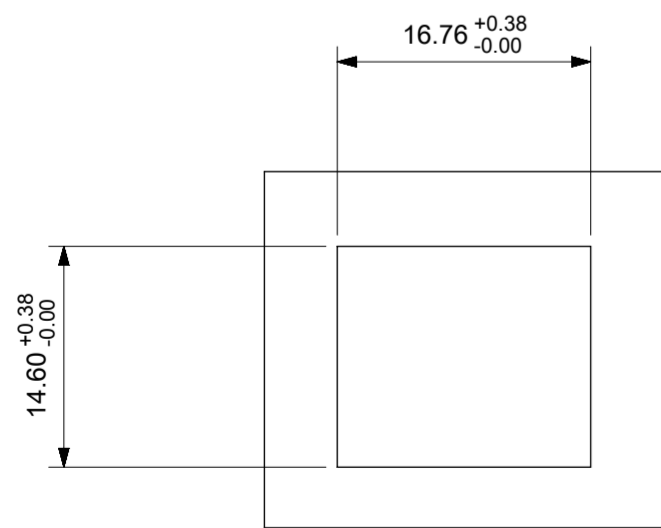
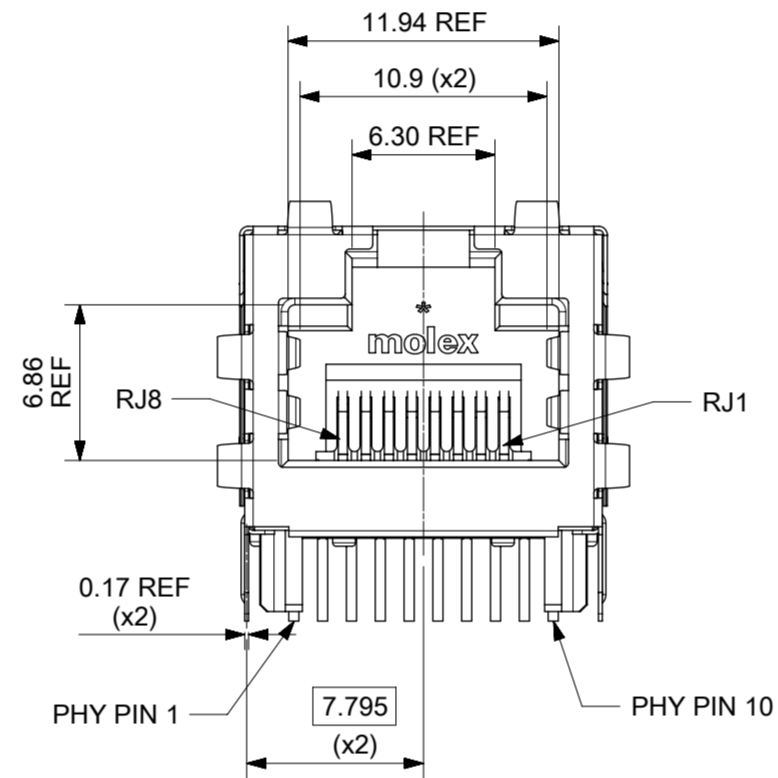
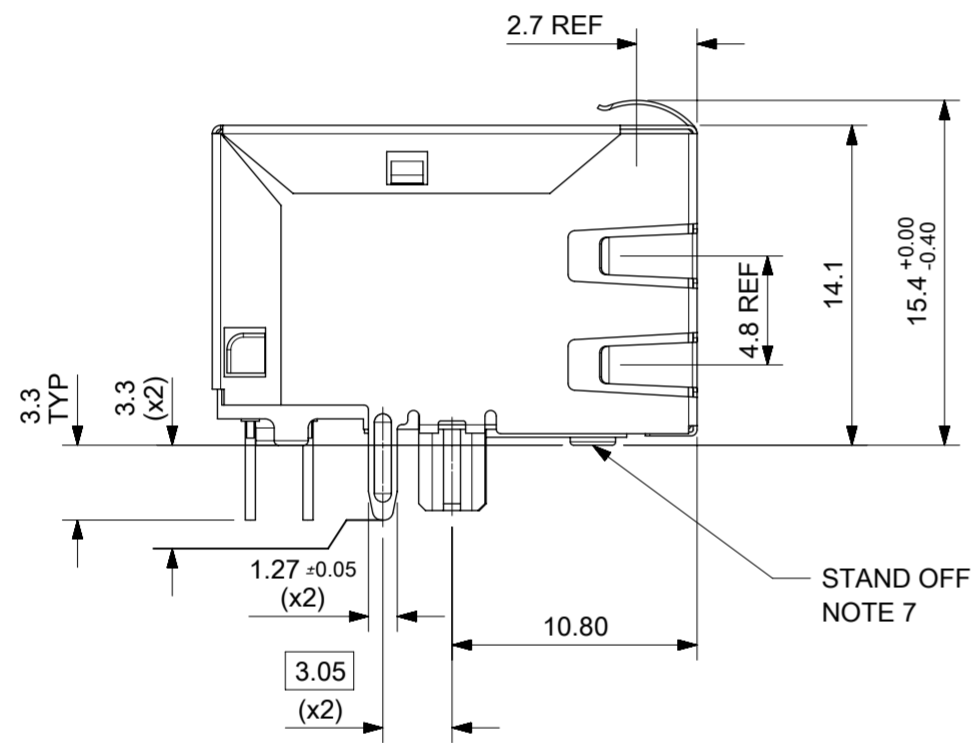
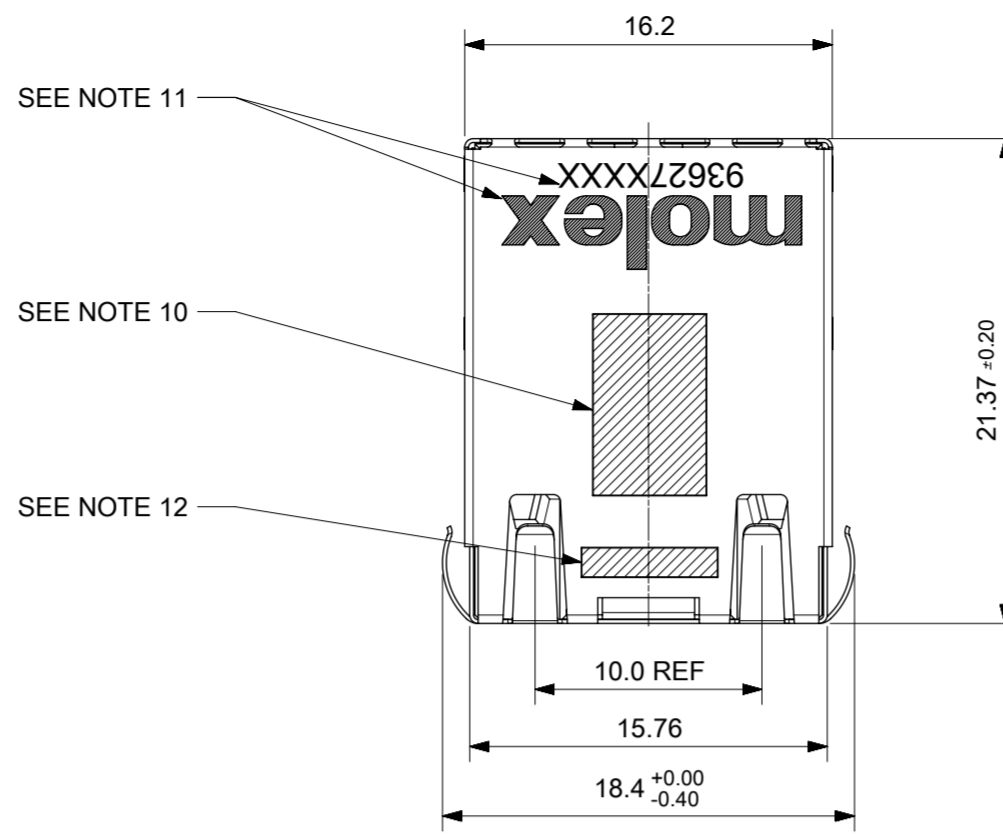
NOTES:

1. MATERIAL: PETA ANTISTATIC
2. THICKNESS: 0.9 mm ± 0.05 mm
3. COLOUR: CLEAR
4. BOW 2 mm MAXIMUM PER 330 mm
5. TWIST 2 mm MAXIMUM PER 330 mm
6. TRAY PART NO. AND RECYCLE LOGO TO BE CLEARLY MARKED ON TRAY
RECYCLE LOGO SHOULD BE APPROPRIATE TO MATERIAL USED
7. WHERE RELEVANT, DIMENSIONS SHOULD BE SYMMETRICAL ABOUT THE CENTRELINE
8. GENERAL PROFILE TOLERANCE $\overline{\cup}$ 0.40 ON NON DIMENSIONED FEATURES

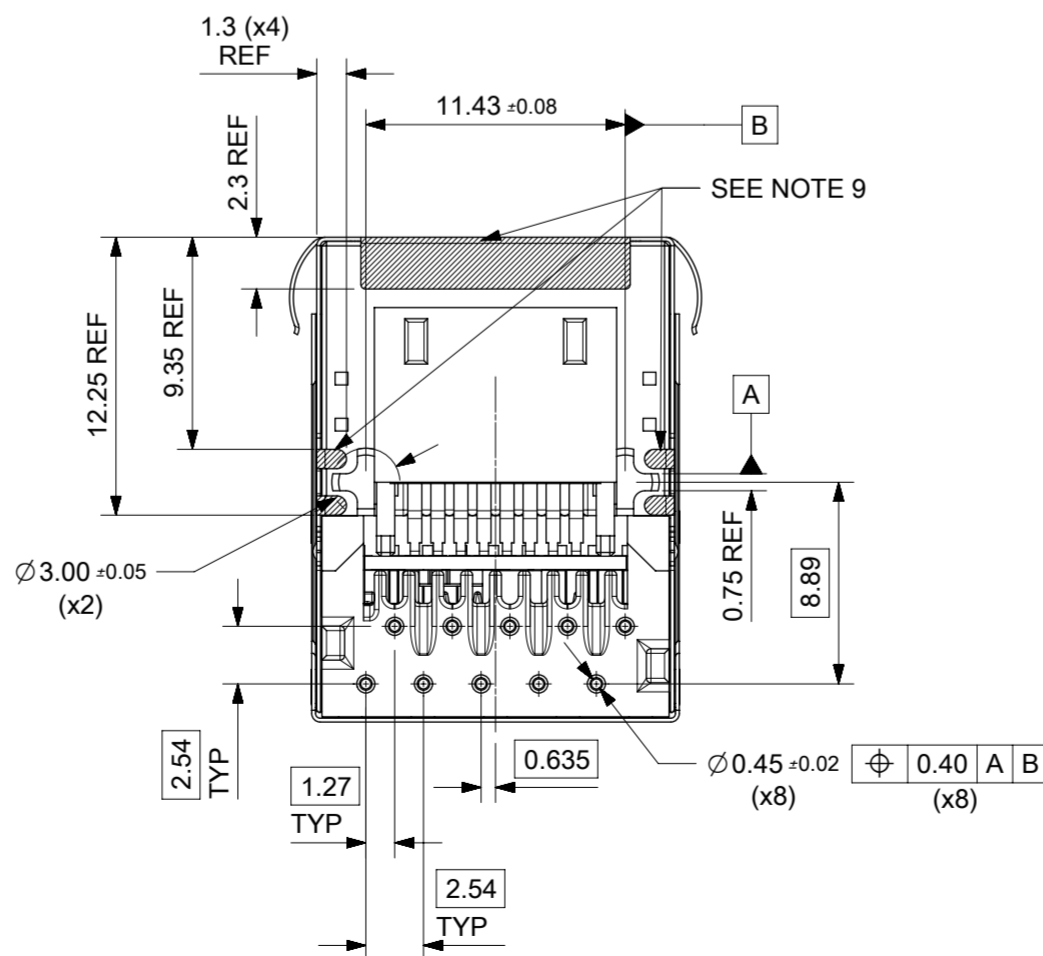
LAST INSPECTION NUMBER USED: 12

THIS DRAWING CONTAINS INFORMATION THAT IS PROPRIETARY TO MOLEX ELECTRONIC TECHNOLOGIES, LLC AND SHOULD NOT BE USED WITHOUT WRITTEN PERMISSION									
DIMENSION UNITS		SCALE		CURRENT REV DESC: REMOVED REFERENCE TO QUANTITY OF TRAYS PER STACK				molex	
mm		1:3							
GENERAL TOLERANCES (UNLESS SPECIFIED)				EC NO: 602124				MXMAG STANDARD AND INVERTED TRAY	
ANGULAR TOL ± 1.0°				DRWN: DSHEA		2018/09/07			
4 PLACES ±				CHK'D: DBYRNES		2019/01/25			
3 PLACES ±				APPR: DBYRNES		2019/01/25			
2 PLACES ± 0.2				INITIAL REVISION:				PRODUCT CUSTOMER DRAWING	
1 PLACE ± 0.5				DRWN: KREILLY		2016/05/06		DOCUMENT NUMBER	
0 PLACES ±				APPR: STGRIFFIN		2016/12/07		934620003	
DRAFT WHERE APPLICABLE MUST REMAIN WITHIN DIMENSIONS		THIRD ANGLE PROJECTION		DRAWING		SERIES		MATERIAL NUMBER	
				A3-SIZE		93462		990250150	
				CUSTOMER		GENERAL MARKET		SHEET NUMBER	
								1 OF 1	

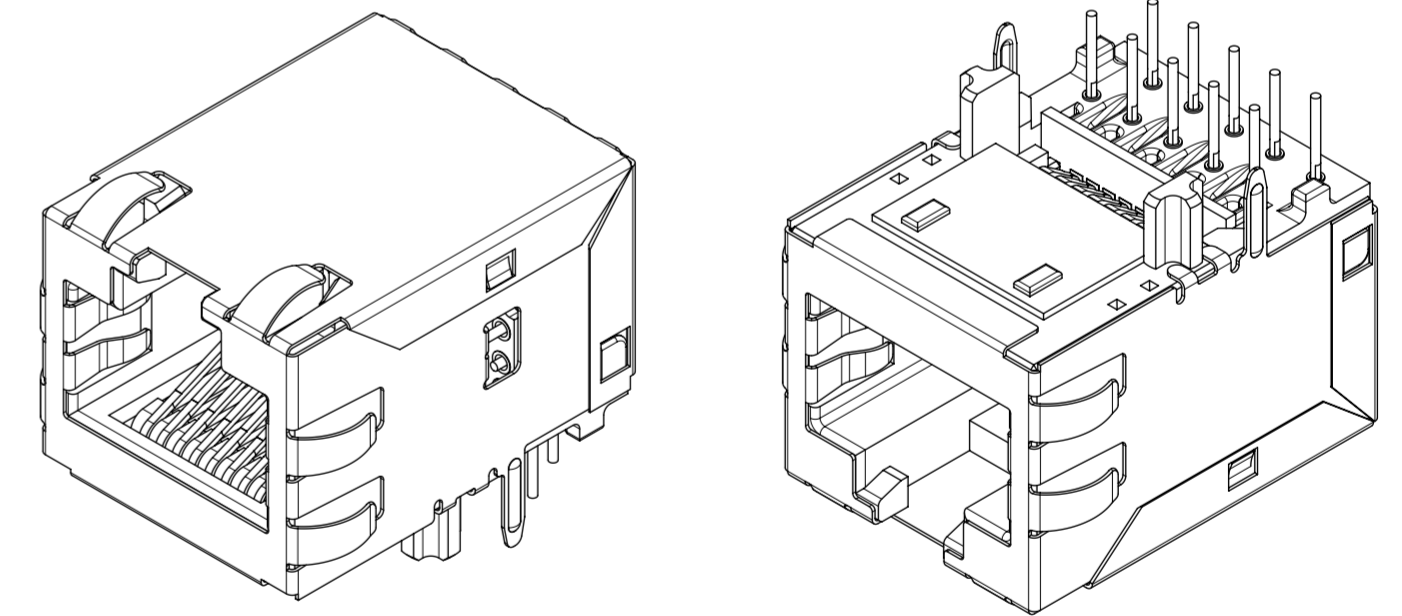
INVERTED PROFILE MAGNETIC JACK
GIGABIT ETHERNET W/SHIELD TABS



SUGGESTED PANEL CUT-OUT

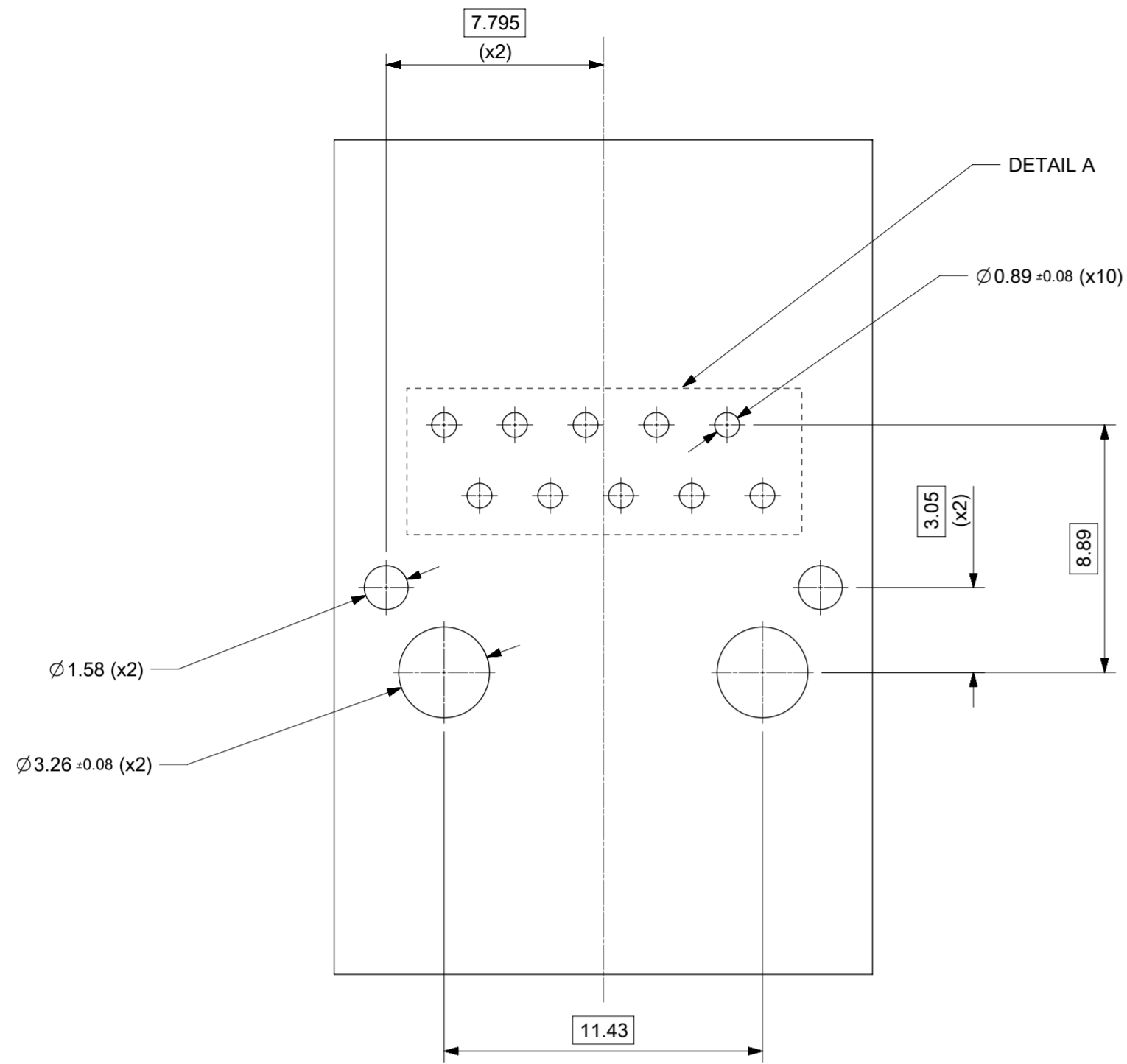


- NOTES:
- SHIELD MATERIAL: 0.17 mm THICK BRASS PRE-PLATED WITH NICKEL
SOLDER TABS POST DIPPED WITH MIN 1.27 μ m TIN
 - HOUSING MATERIAL: LCP, BLACK, UL 94V-0
 - TERMINALS MATERIAL: PHOSPHOR BRONZE
RJ45 CONTACTS PLATING: BASE NICKEL PLATED WITH GOLD
FLASH OVER PALLADIUM NICKEL. REFER TO 934620001 PSP
PHY SOLDER TAILS: COPPER ALLOY
 - MATING INTERFACE ACCORDING TO IEC 60603-7 & TIA-1096-A
 - PRODUCT SPECIFICATION: 934620001 PSP
 - PACKAGING SPECIFICATION: 934620001 PSK - TRAY
 - STAND OFF TO SYSTEM BOARD 0.30 mm MIN
 - RECOMMENDED PCB THICKNESS: 1.57 mm
 - SHIELD: AVOID ROUTING TRACES
OR PLACING ANY VIAS BELOW THESE AREAS
 - AREA FOR PICK AND PLACE: 5.0 mm X 8.0 mm
 - INSCRIPTION MARKED BY LASER:
1st : MOLEX
2nd : P/N (SEE BOM)
 - INSCRIPTION MARKED BY LASER:
DATE CODE(DAY/WEEK/YEAR)
 - MATERIAL COMPLIANT TO RoHS DIRECTIVE 2002/95/EC

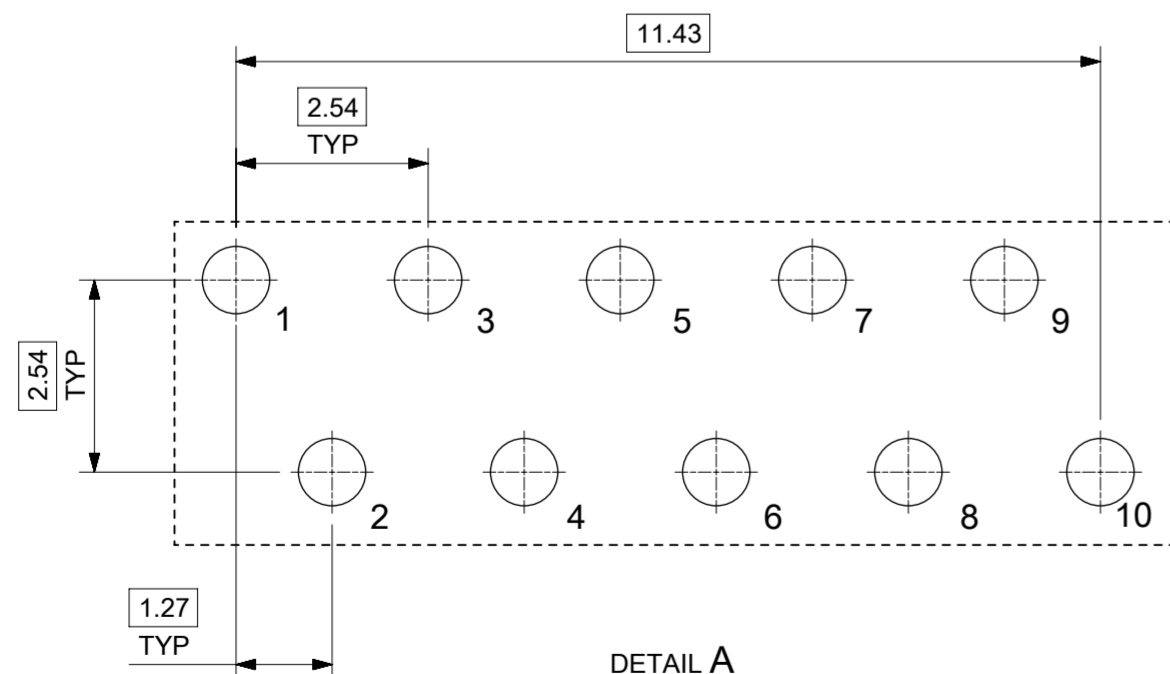


THIS DRAWING CONTAINS INFORMATION THAT IS PROPRIETARY TO MOLEX ELECTRONIC TECHNOLOGIES, LLC AND SHOULD NOT BE USED WITHOUT WRITTEN PERMISSION

REVISED EC NO: 116686 DRWN: KREILLY CHKD: DSHEA REV APPR: DBYRNES	2017/05/09	GENERAL TOLERANCES (UNLESS SPECIFIED)	DIMENSION UNITS	SCALE		
	2017/09/12	ANGULAR TOL $\pm 2.0^\circ$	mm	3:1		
	2017/09/26	4 PLACES \pm	DRWN BY	DATE		JKEARNS 2015/11/05
		3 PLACES \pm	CHK'D BY	DATE		JKEARNS 2015/12/17
		2 PLACES ± 0.1	APPR BY	DATE	STGRIFFIN 2015/11/19	
		1 PLACE ± 0.2	DRAWING SIZE	THIRD ANGLE PROJECTION	PRODUCT CUSTOMER DRAWING	
		0 PLACES \pm	A2		SERIES: 93627	
		DRAFT WHERE APPLICABLE MUST REMAIN WITHIN DIMENSIONS			MATERIAL NUMBER: SEE TABLE ON SHEET 2	
					CUSTOMER: GENERAL MARKET	
					DOCUMENT NUMBER: 936270004	
					DOC TYPE: PSD	
					DOC PART: 000	
					SHEET NUMBER: 1 OF 3	



SUGGESTED BOARD LAYOUT
GIGABIT VERSION
COMPONENT SIDE
ALL DIMS REFERENCE DIMS

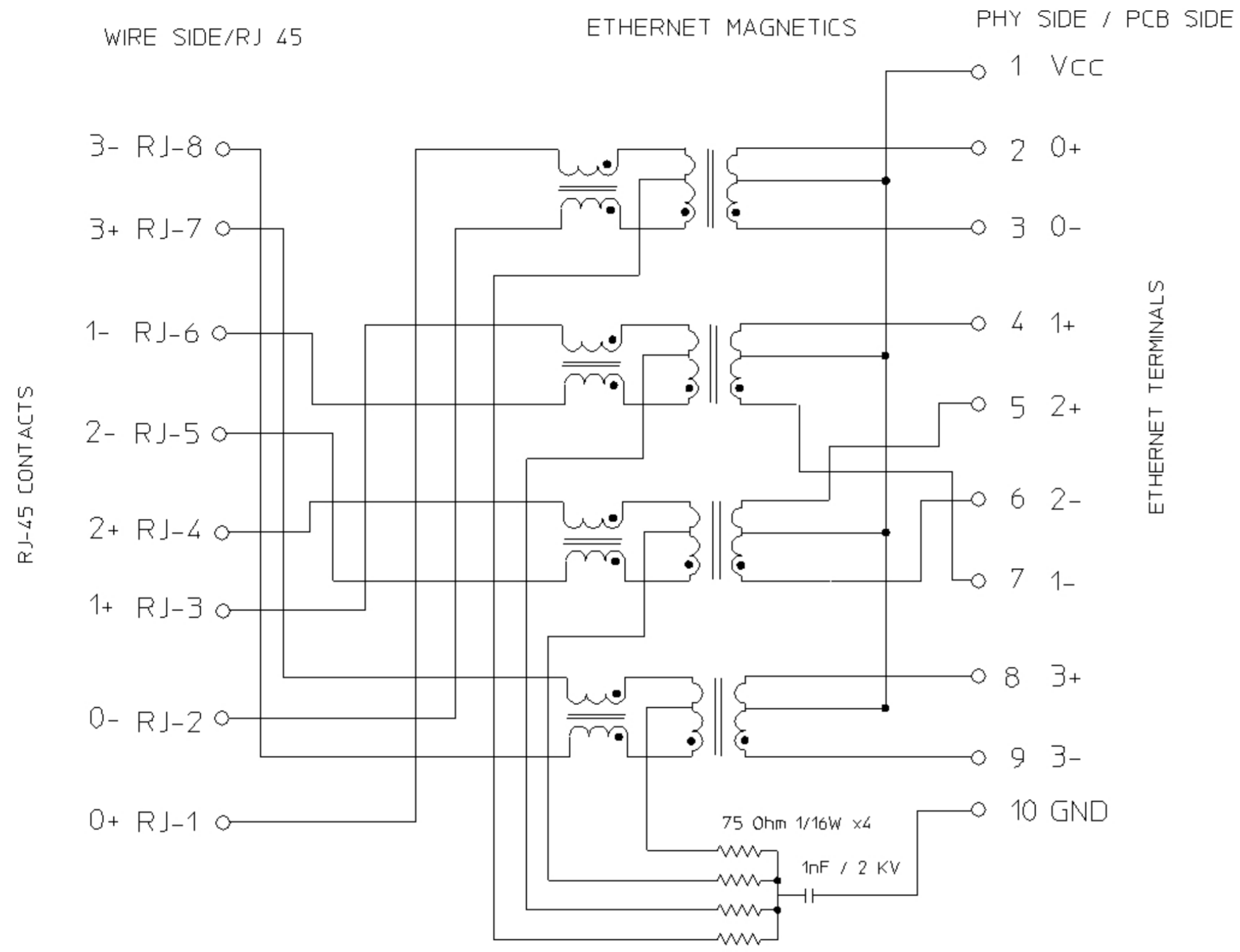


DETAIL A
SCALE 10:1

PIN CONFIGURATION
FOR GIGABIT VERSION

PART NUMBER	LEFT LED	RIGHT LED
93627-8020	N/A	N/A

THIS DRAWING CONTAINS INFORMATION THAT IS PROPRIETARY TO MOLEX ELECTRONIC TECHNOLOGIES, LLC AND SHOULD NOT BE USED WITHOUT WRITTEN PERMISSION															
REVISED EC NO: 116686 DRWN: KREILLY CHKD: DSHEA REV / APPR: DBYRNES	2017/05/09	2017/09/12	2017/09/26	GENERAL TOLERANCES (UNLESS SPECIFIED)	DIMENSION UNITS	SCALE	molex INV MX-MAG 8CORE GIG NO LED W/SHIELD TAB								
				mm	5:1										
				ANGULAR TOL ± 2.0 °	DRWN BY	DATE	PRODUCT CUSTOMER DRAWING								
				4 PLACES ±	JKEARNS	2015/11/05									
				3 PLACES ±	CHK'D BY	DATE	SERIES MATERIAL NUMBER CUSTOMER 93627 SEE TABLE GENERAL MARKET								
				2 PLACES ± 0.1	JKEARNS	2015/12/17									
			1 PLACE ± 0.2	APPR BY	DATE	DRAWING SIZE THIRD ANGLE PROJECTION A2									
			0 PLACES ±	STGRIFFIN	2015/11/19										
			DRAFT WHERE APPLICABLE MUST REMAIN WITHIN DIMENSIONS									DOCUMENT NUMBER	DOC TYPE	DOC PART	SHEET NUMBER
C								936270004		PSD	000	2 OF 3			



Description	Value	
OCL @ 100 kHz, 0.1 V 8 mA DC bias (-40°C to +85°C)	350 µH min.	
Turns ratio	1CT:1CT	
Transmission characteristics @ 25°C, all four pairs		
Insertion Loss		
Frequency f, (MHz)	Limits (dB max.)	Typical Values (dB max.)
1.0-9.9	0.4+0.1*log(f)	0.5 @ 10 MHz
10-49.9	0.5+0.3*log(f/10)	0.7 @ 50 MHz
50-79.9	1+1.4*log(f/80)	1.0 @ 80 MHz
80-100	1.3+3*log(f/100)	1.3 @ 100 MHz
Return Loss		
Frequency f, (MHz)	Limits (dB min.)	Typical Values (dB min.)
1.0-39.9	18	18 @ 40 MHz
40-100	12-20*log(f/80)	10 @ 100 MHz
CMR		
Frequency f, (MHz)	Limits (dB min.)	Typical Values (dB min.)
1.0-100	30	30 @ 100 MHz
Next		
Frequency f, (MHz)	Limits (dB min.)	Typical Values (dB min.)
1.0-39.9	35	35 @ 40 MHz
40-100	33-20*log(f/50)	27 @ 100 MHz
Isolation PHY to wire side	2.25 kVDC/60sec	

THIS DRAWING CONTAINS INFORMATION THAT IS PROPRIETARY TO MOLEX ELECTRONIC TECHNOLOGIES, LLC AND SHOULD NOT BE USED WITHOUT WRITTEN PERMISSION

REVISED EC NO: 116686 DRWN: KREILLY CHKD: DSHEA REV APPR: DBYRNES	2017/05/09	GENERAL TOLERANCES (UNLESS SPECIFIED)	DIMENSION UNITS	SCALE				
	2017/09/12	ANGULAR TOL ± 2.0 °	mm	1:1				
	2017/09/26	4 PLACES ±	DRWN BY	DATE		INV MX-MAG 8CORE GIG NO LED W/SHIELD TAB		
		3 PLACES ±	JKEARNS	2015/11/05				
		2 PLACES ± 0.1	CHK'D BY	DATE		PRODUCT CUSTOMER DRAWING		
	1 PLACE ± 0.2	JKEARNS	2015/12/17					
	0 PLACES ±	APPR BY	DATE	SERIES	MATERIAL NUMBER	CUSTOMER		
	DRAFT WHERE APPLICABLE MUST REMAIN WITHIN DIMENSIONS	STGRIFFIN	2015/11/19	93627	SEE TABLE ON SHEET 2	GENERAL MARKET		
		DRAWING SIZE	THIRD ANGLE PROJECTION	DOCUMENT NUMBER		DOC TYPE	DOC PART	SHEET NUMBER
		A2		936270004		PSD	000	3 OF 3