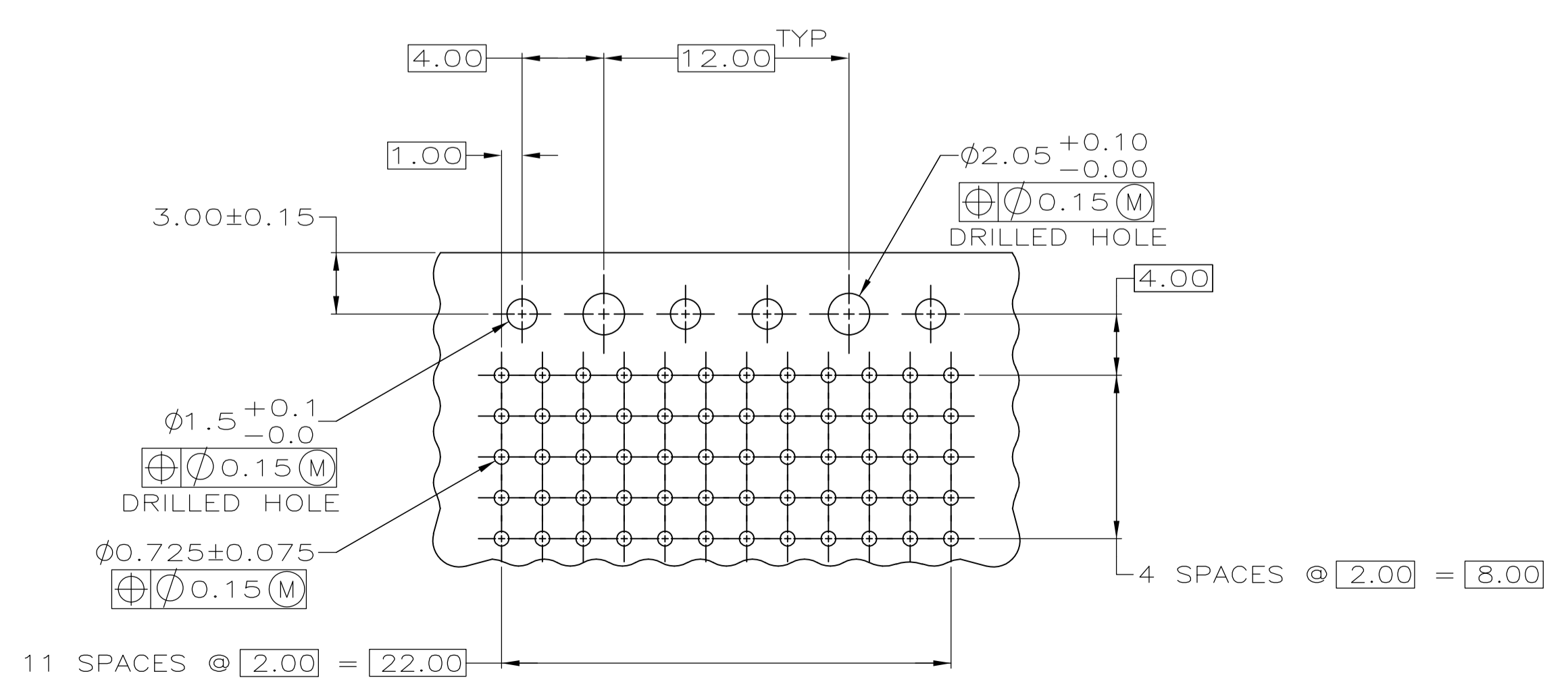
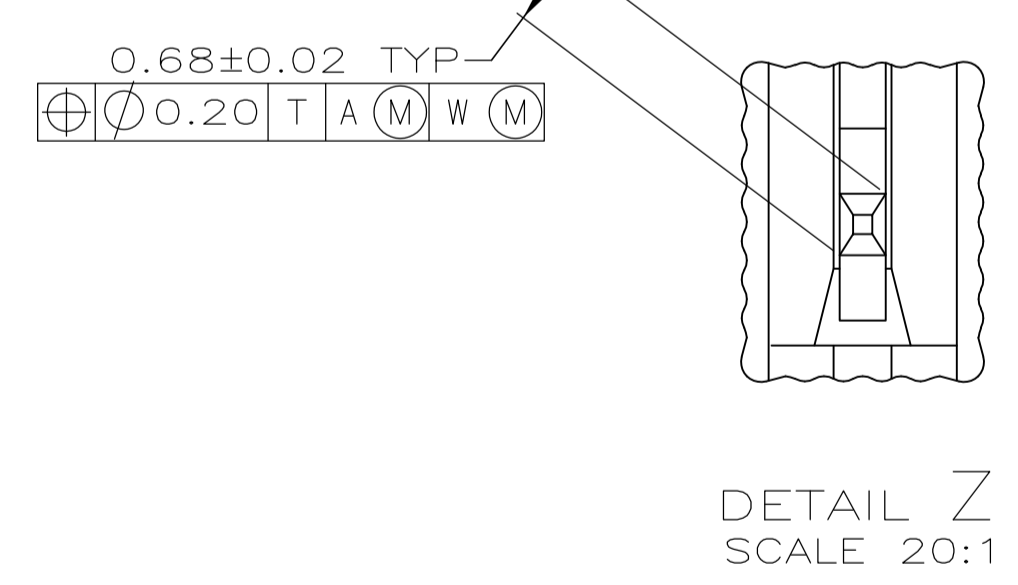
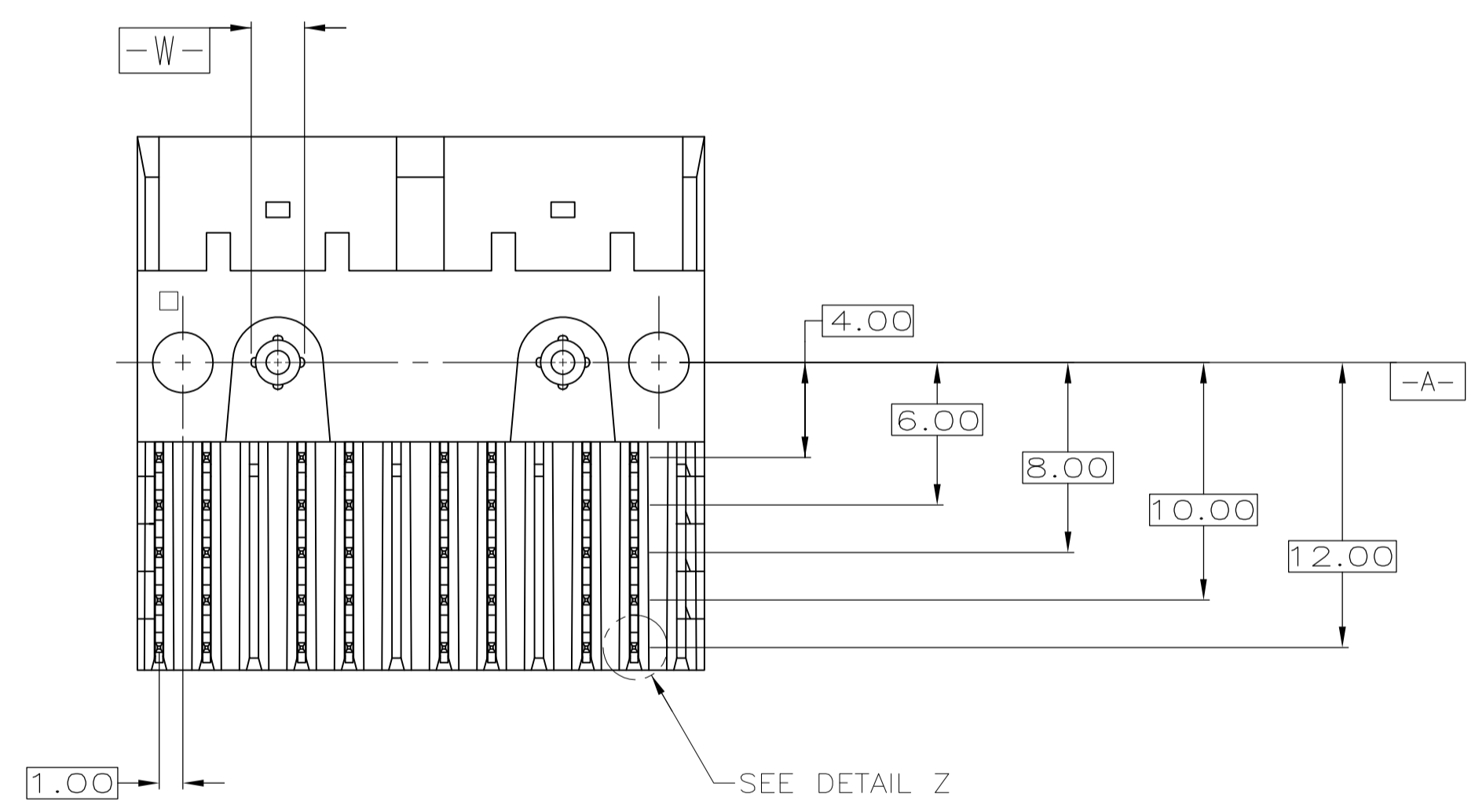
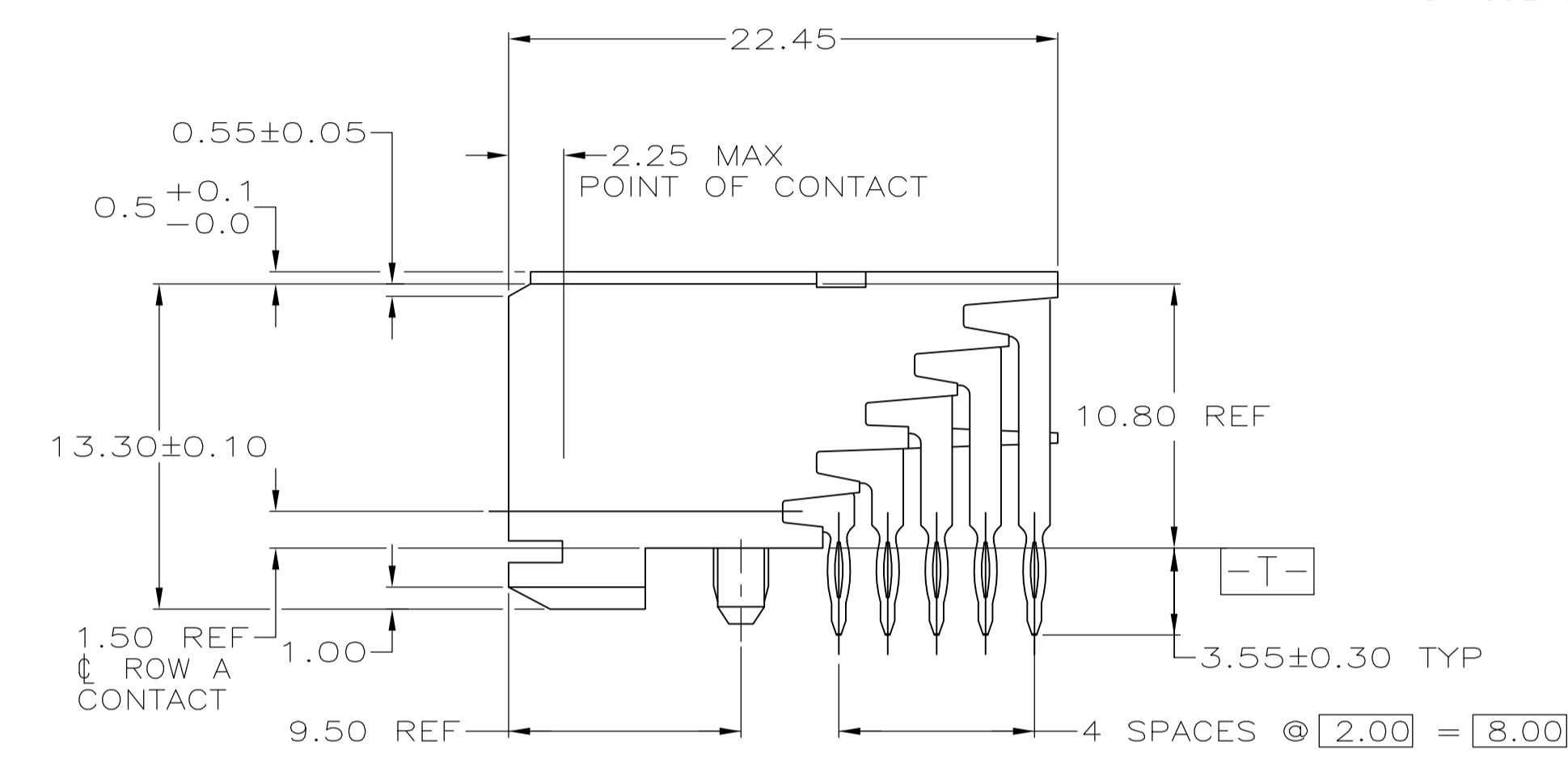
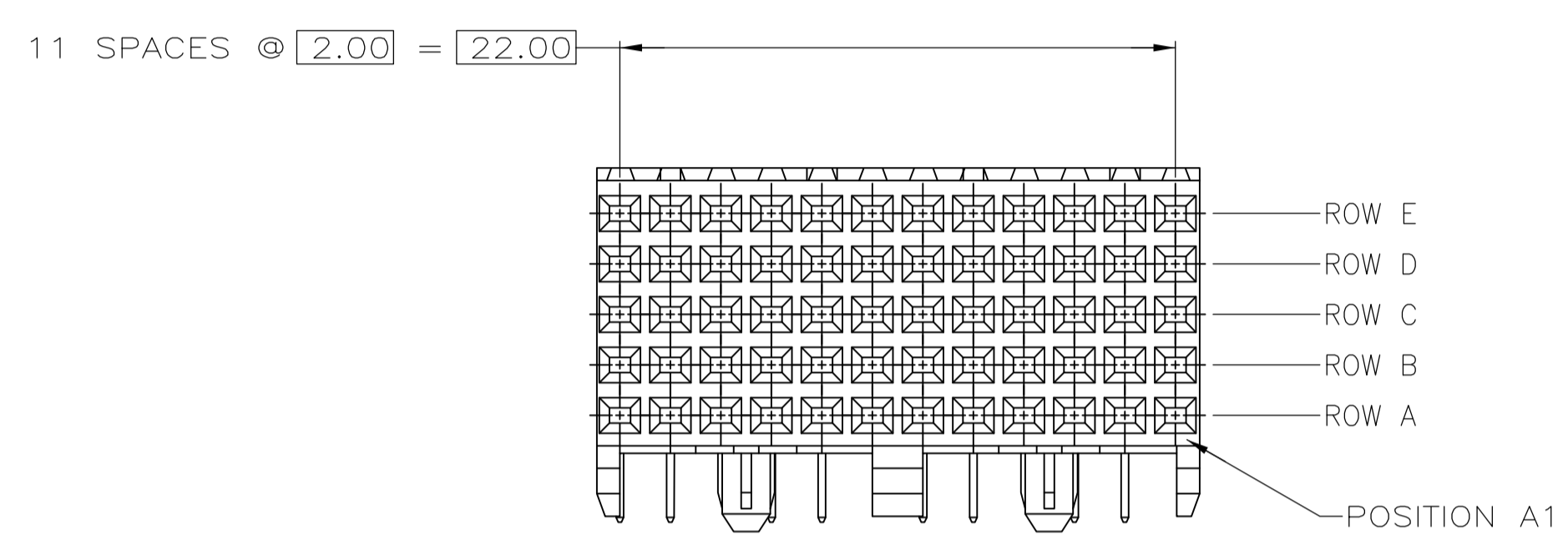


- △ HOUSING MATERIAL: LIQUID CRYSTAL POLYMER. COLOR: NATURAL.
- △ CONTACT MATERIAL: PHOSPHOR-BRONZE.
- △ CONTACT FINISH:(B)
 UNDERPLATE (ENTIRE CONTACT):
 0.00127 MIN NICKEL PER SAE-AMS-QQ-N-290
 ON MATING SURFACES:
 CONFORMS TO ALL TESTING SPECIFIED FOR TELCORDIA UNCONTROLLED ENVIRONMENT.
 ON LEADS:
 0.0006 MIN MATTE TIN PER ASTM B 545 OVER UNDERPLATE.
 LUBRICATION (MIN MATING SURFACES):
 SURFACE CONDITIONER AFTER PLATING.

△ PART MARKING LOCATED APPROXIMATELY AS SHOWN.
 5. COLUMNS 1, 4, 7 AND 10 ARE NOT LOADED WITH CONTACTS.



RECOMMENDED CIRCUIT PATTERN
 PER IPC-D300 TYPE II, CLASS C
 (COMPONENT SIDE)

ROW	E	X	X	X	X	X	X	X	E	ROW			
	D	X	X	X	X	X	X	X	D				
	C	X	X	X	X	X	X	X	C				
	B	X	X	X	X	X	X	X	B				
	A	X	X	X	X	X	X	X	A				
COLUMN	12	11	10	9	8	7	6	5	4	3	2	1	COLUMN

CONTACT LOAD CHART
 X = LOADED CAVITY

THIS DRAWING IS A CONTROLLED DOCUMENT.		DIN B MCMMASTER 150EC04	Tyco Electronics Corporation Harrisburg, PA 17105-3608	
DIMENSIONS: mm		CIK R WERTZ 150EC04	NAME RECEPTACLE ASSEMBLY, Z-PACK 2mm FB, 5 ROW, 60 POSITION, RIGHT ANGLE, SELECT LOAD, WITH PRESS FIT LEADS	
TOLERANCES UNLESS OTHERWISE SPECIFIED:		APVD R WERTZ 150EC04	APPLICATION SPEC	
0 PLC ± -		SIZE CASE CODE DRAWING NO RESTRICTED TO		
1 PLC ± -		A1 00779 C=5223627		
2 PLC ± 0.13		WEIGHT		
3 PLC ± -		CUSTOMER DRAWING		
4 PLC ± -		SCALE 4:1 SHEET 1 OF 1 REV A1		
ANGLES ± -				