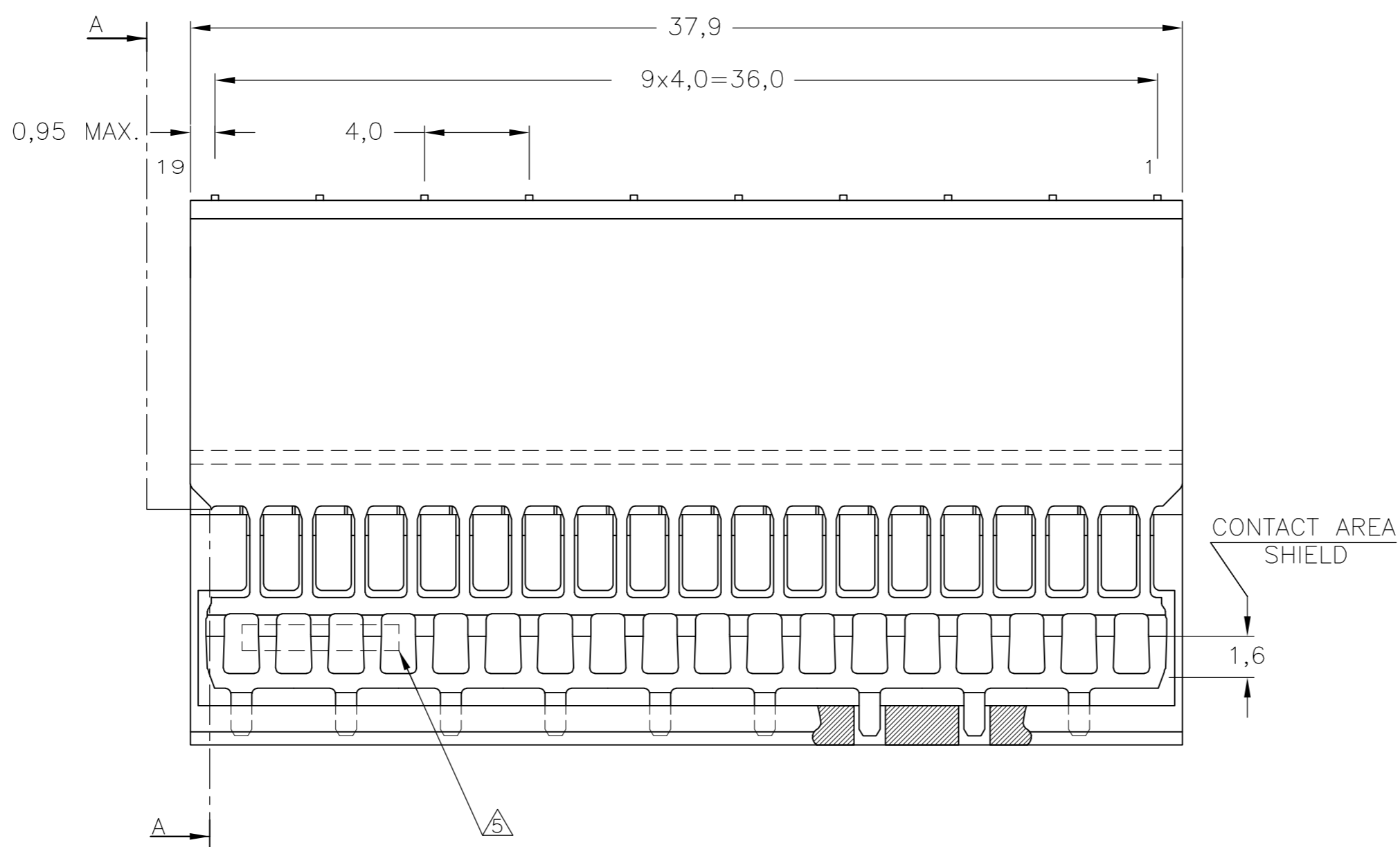
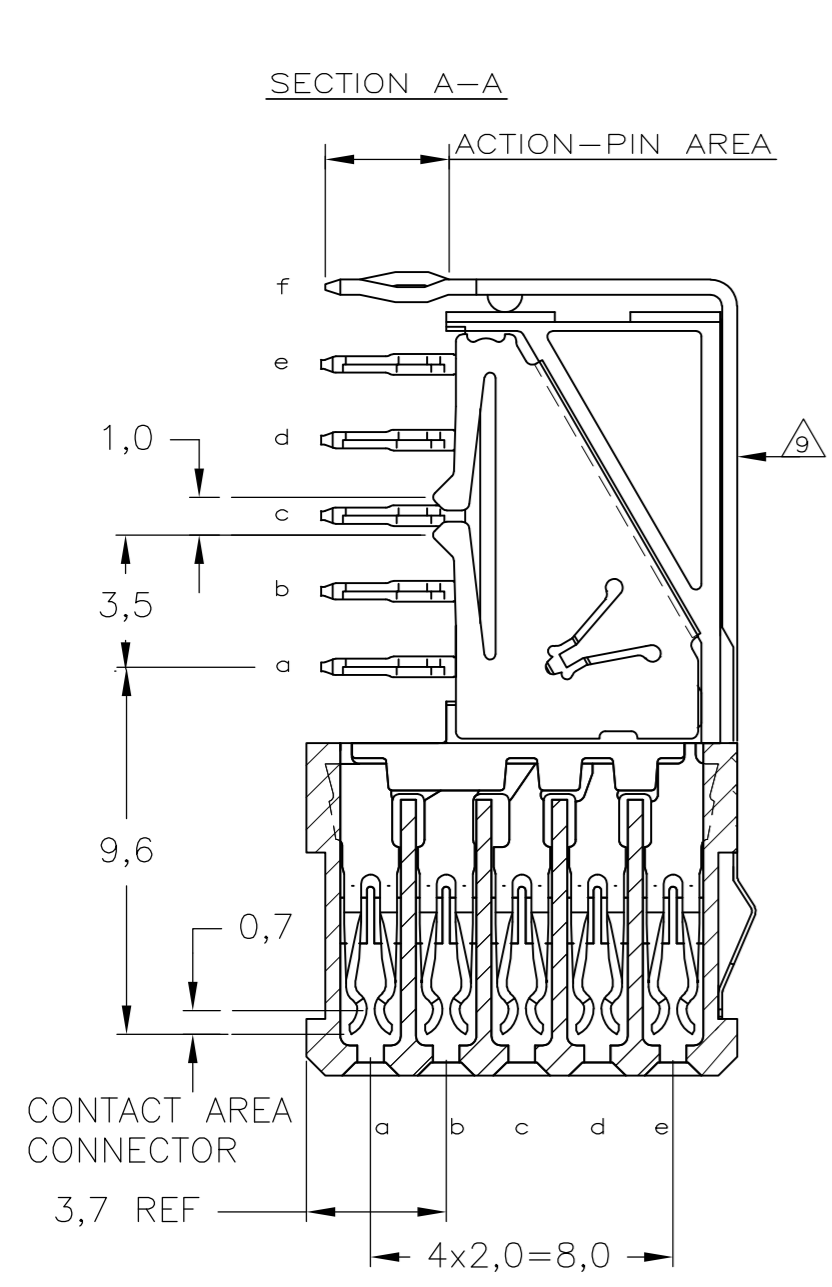


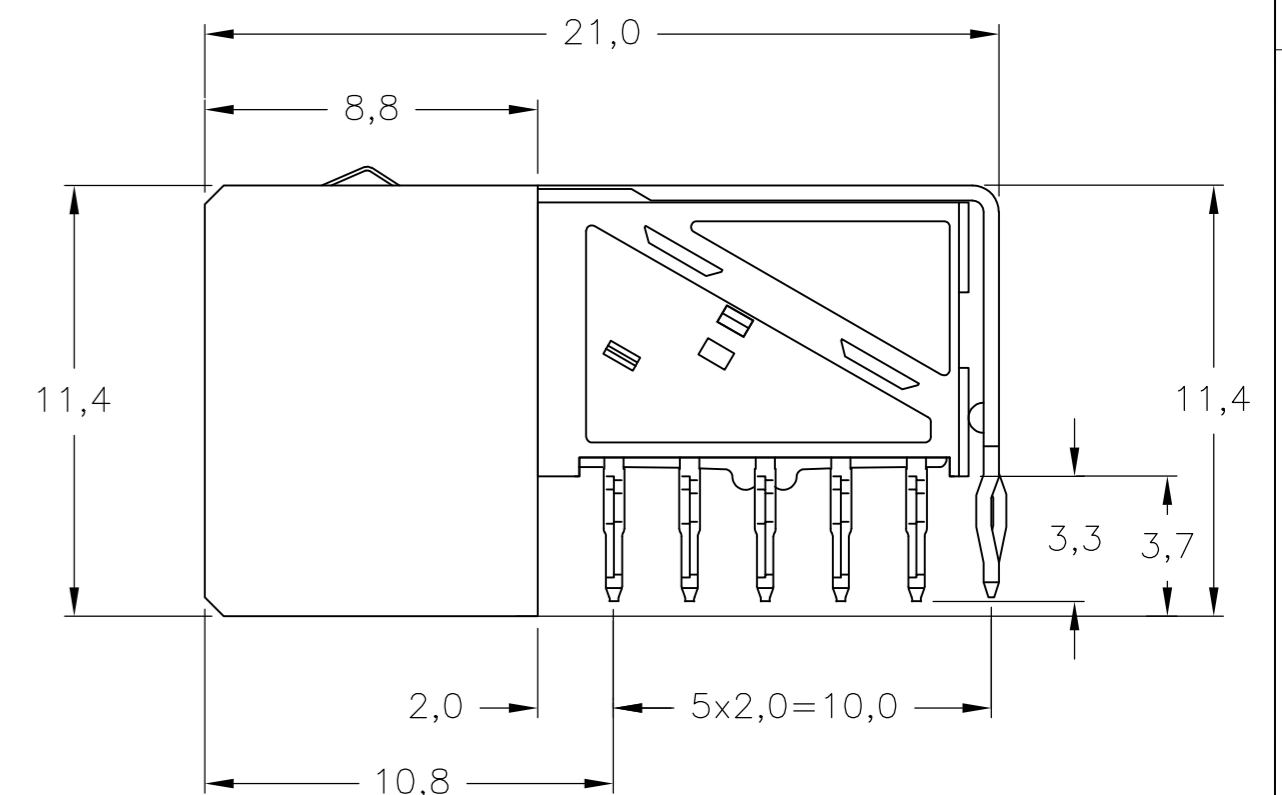
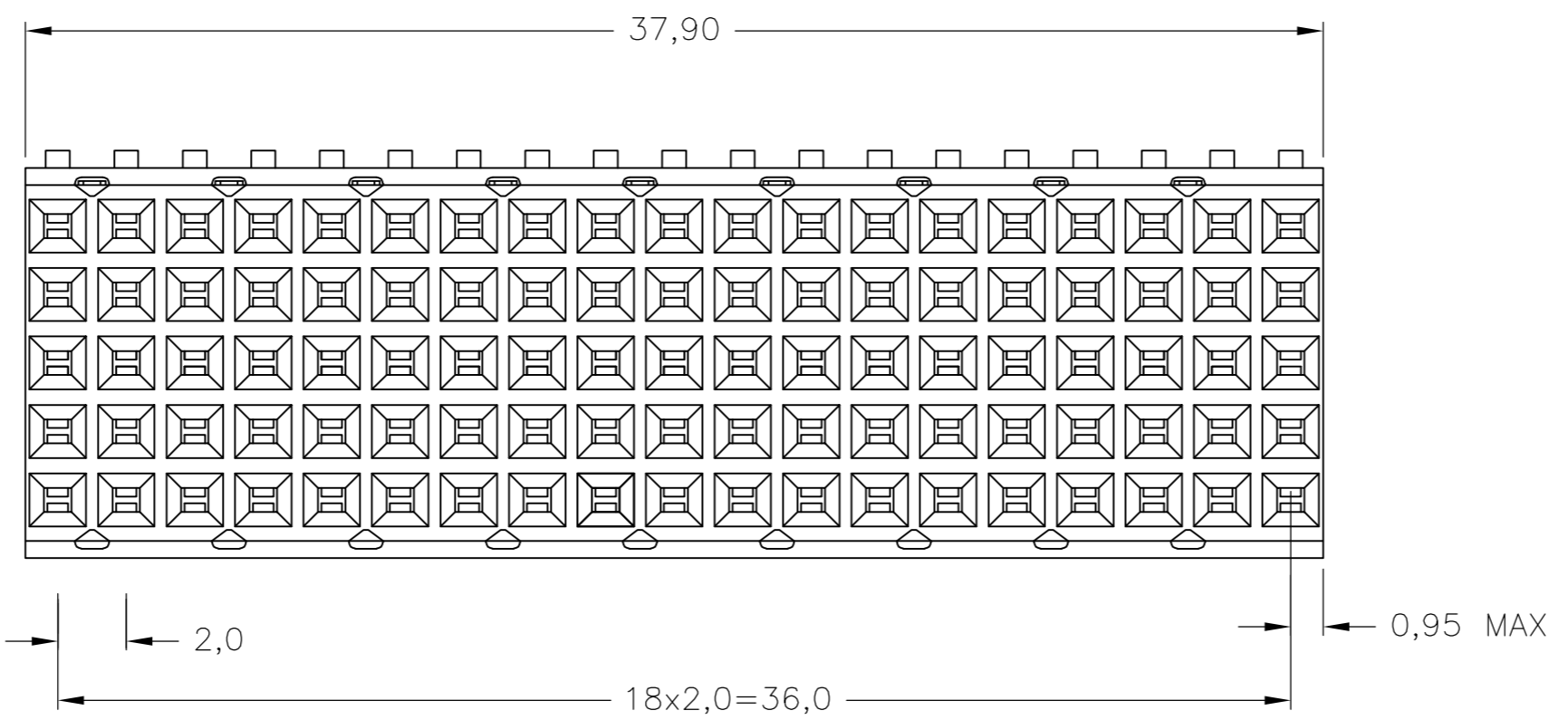
THIS DRAWING IS UNPUBLISHED. RELEASED FOR PUBLICATION
© COPYRIGHT BY TYCO ELECTRONICS CORPORATION. ALL RIGHTS RESERVED.

REVISONS		DESCRIPTION	DATE	DWN	APVD
LOC	DIST				
H	-				
	P	LTR			
	B	EH10-0680-05	02-06-05	BSV	BM
	C	ECR-06-026577	14-11-06	BSV	BM
	D	ECR-10-018652	10SEP10	SW	MQW



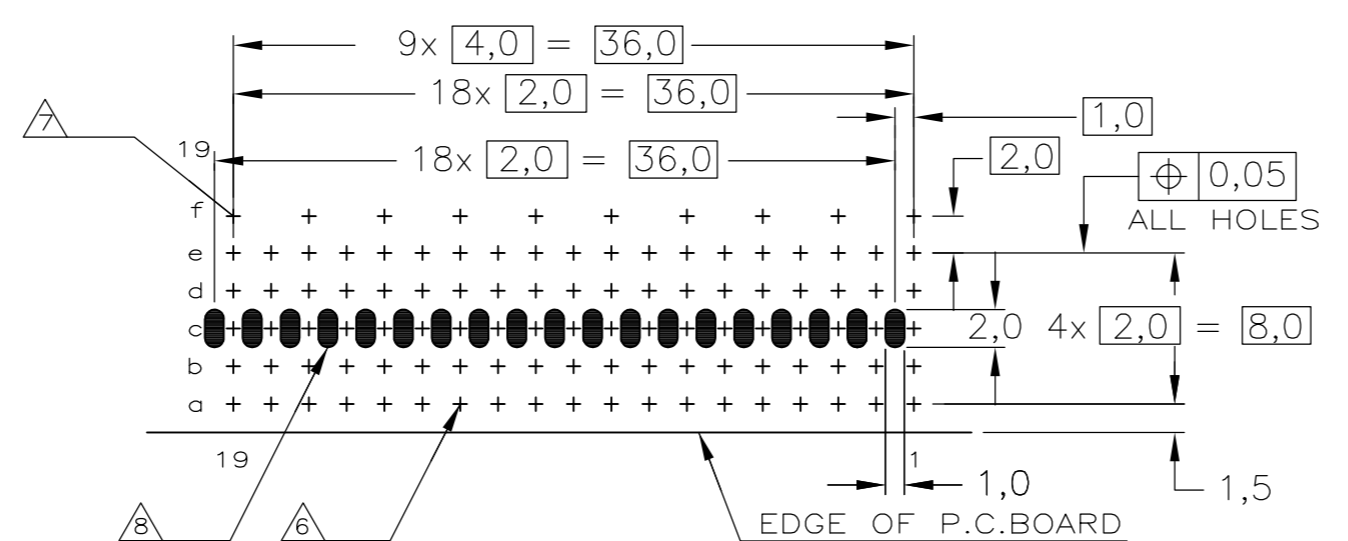
NOTES:

- ⚠ MATERIAL CONTACTS; PHOSPHORBRONZE
MATERIAL SHIELDS ; PHOSPHORBRONZE
MATERIAL HOUSING; GLASSFILLED POLYESTER (GRAY)
- ⚠ GENERAL CONTACT PLATING SPECIFICATION: UNDERPLATING (ENTIRE CONTACT): 1,27µm NICKEL MIN. AND ACTION PIN: 0,5µm TIN-LEAD MIN.
FOR PLATING OF MATING SURFACES SEE APPLICABLE SPECIFICATION REFERENCE FOR EACH DASH NUMBER.
- ⚠ CONFORMS TO ALL TESTING ACCORDING IEC 61076-4-101 PERFORMANCE LEVEL 2.
- ⚠ PLATING SHIELDS :
GROUND RETURN SHIELD:
CONTACT AREA: 0,76µm Au MIN.
ACTION PIN : 0,5µm Sn MIN.
REMAINDER : Ni
REDUCED CROSS-TALK SHIELD: GOLD FLASH OVER 1,27 µm NICKEL MIN.
- ⚠ ASSEMBLY PRINTED WITH P/N AND DATECODE
THE MARKING CAN APPEAR ON THE FRONT SIDE OR ON THE BACK SIDE.
- ⚠ HOLE PATTERN FOR FEMALE CONNECTOR TYPE B - 19 COLUMNS
95 PLATED-THROUGH HOLES AT 2x2mm SQUARE GRID
- ⚠ ROW "r" 10 PLATED THROUGH HOLES FOR UPPERSHIELD
- ⚠ PLATED SPOT ONLY ON COMPONENT SIDE, FORMING ONE CONTACT WITH PLATED THROUGH HOLES OF ROW C
- ⚠ SHIELD MOUNTED ON CONNECTOR WITH DOUBLE SIDED ADHESIVE TAPE
- 10 BASIC P.N. LOWERSHIELD: 5352029



RECOMMENDED P.C.B. HOLE LAY-OUT
COMPONENT SIDE AS SHOWN

SCALE 2,5:1



P.C.B. HOLE DIM. ACTION PIN
FOR DETAILS SEE
APPLICATION SPECIFICATION

THIS DRAWING IS A CONTROLLED DOCUMENT.

DIMENSIONS:	TOLERANCES UNLESS OTHERWISE SPECIFIED:
mm	±0.2
MATERIAL	FINISH
-	-

DWN	25AUG2004	 Tyco Electronics Corporation s-Hertogenbosch, Netherlands,
CHK	22MAR2005	
APVD	22MAR2005	
PRODUCT SPEC		
NAME	Z-PACK 2mm HM	
APPLICATION SPEC	TYPE B - 19 COLUMNS PRE-SHIELDED RECEPTACLE WITH RED.CROSS-TALK SHIELDS	
WEIGHT	114-19029	RESTRICTED TO
CUSTOMER DRAWING	114-19029	
SCALE 5:1 SHEET 1 OF 1 REV D		