

注記 NOTES:

1. 使用材料 MATERIAL
 - ハウジング : PPS, UL94V-0
 - ターミナル : リン青銅 (t=0.25)
 - メッキ : 銅下地半田メッキ
 - 金具 : リン青銅 (t=0.25)
 - メッキ : 銅下地半田メッキ
- 基準面 [E] からのソルダテールとフィッティングネイルの半田付け面のスレ量は、上方向に0.1MAX. 下方向0.15MAX. とする。
 MISALIGNMENT OF SOLDER TAIL AND FITTING NAIL FROM [E] : UPPER DIRECTION 0.1 MAX. , LOWER DIRECTION 0.15 MAX.
- 偶数極に適用。
 APPLY FOR EVEN CKT.

- HOUSING : PPS, UL94V-0
- TERMINAL : PHOSPHOR BRONZE
- PLATING : Sn-Pb OVER Cu
- FITTING NAIL : PHOSPHOR BRONZE
- PLATING : Sn-Pb OVER Cu

33.8	31.05	29	52793-3010	30
32.8	30.05	28	-2910	29
31.8	29.05	27	-2810	28
30.8	28.05	26	-2710	27
29.8	27.05	25	-2610	26
28.8	26.05	24	-2510	25
27.8	25.05	23	-2410	24
26.8	24.05	22	-2310	23
25.8	23.05	21	-2210	22
24.8	22.05	20	-2110	21
23.8	21.05	19	-2010	20
22.8	20.05	18	-1910	19
21.8	19.05	17	-1810	18
20.8	18.05	16	-1710	17
19.8	17.05	15	-1610	16
18.8	16.05	14	-1510	15
17.8	15.05	13	-1410	14
16.8	14.05	12	-1310	13
15.8	13.05	11	-1210	12
14.8	12.05	10	-1110	11
13.8	11.05	9	-1010	10
12.8	10.05	8	-0910	9
11.8	9.05	7	-0810	8
10.8	8.05	6	-0710	7
9.8	7.05	5	-0610	6
8.8	6.05	4	-0510	5
7.8	5.05	3	-0410	4
6.8	4.05	2	52793-0310	3
C	B	A	ENG. NO	極数 CIRCUIT

角度 ANGLE	±3°				
30以上 OVER	+0.3	B	変更 (JC80048)	1/15	9/17/15
10以上 30未満 UNDER	+0.25	A	変更 (J40668)	9/4/15	8/20
10未満 UNDER	+0.2	O	新規作成 (J40449)	9/4/15	6/9
一般公差 GENERAL TOLERANCES	記号 LTR	変更内容 REVISION RECORD	DR. CHK.	日付 DATE	

材料 MATERIAL	注記参照 SEE NOTES
仕上げ FINISH	—
適用電線範囲 WIRE RANGE	—
被覆外径 INS. RANGE	—
DRAWN BY 94/6/9	CHK'D BY '97/1/15
S. AIHARA	M. FUKUSHIMA
APP'D BY '97/1/15	尺度 SCALE 10 : 1
M. FUKUSHIMA	

molex MOLEX-JAPAN CO.,LTD.
 日本モレックス株式会社

REVISE ONLY ON CAD SYSTEM

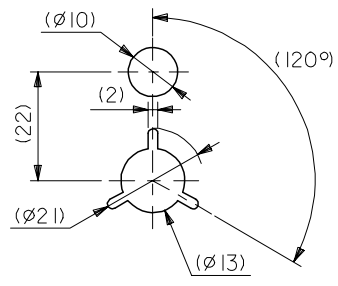
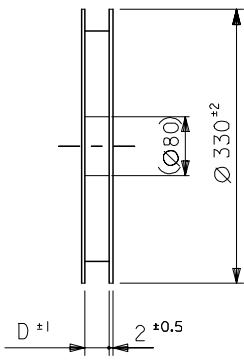
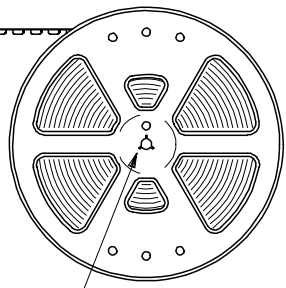
TITLE 名称
 I.O FFC CONN.
 NON Z.I.F. SMT. R/A
 (UPPER CONTACT)

DWG. NO. (SHEET 1 OF 2) REV
 SD-52793-***10

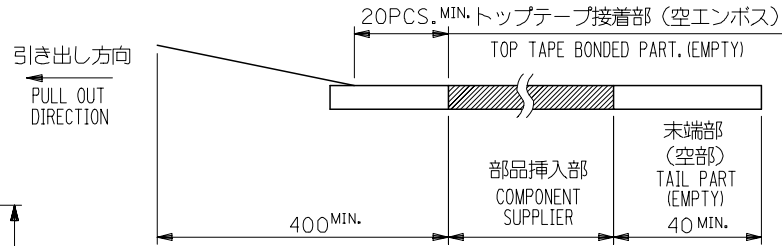
NOTES

- 製品詳細寸法については図面 SD-52793-***10 を参照下さい。
RE DETAILED DIMENSION, SEE SD-52793-***10
- 梱包数量：1000個/リール
NUMBER OF CONNECTORS : 1000PCS/REEL
- リードテープ長さ LEAD TAPE LENGTH

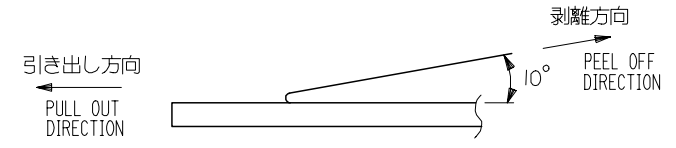
引き出し方向
PULL OUT DIRECTION



DETAIL "F"



- トップテープの剥離強度：0.1N ~ 0.7N(10.2gf ~ 71.4gf)
(剥離方向は下図参照)
尚、本規格値は出荷時に適用。(但し、輸送時に剥離が発生しないこと。)
PEELING OFF FORCE OF TOP TAPE : 0.1N ~ 0.7N(10.2gf ~ 71.4gf)
(PEELING DIRECTION AS SHOWN IN FOLLOWING FIG.)
THIS REQUIREMENT SHOULD BE APPLIED AT SHIPMENT.
PEEL OFF SHOULD NOT BE ALLOWED DURING TRANSPORTATION.



- 材料 (MATERIAL)
キャリアテープ (CARRIER TAPE) : ポリプロピレン (POLYPROPYLENE)
トップテープ (TOPTAPE) : PET, PE, PEF
リール (REEL) : ポリスチレン (PS) <リサイクル材を含む>
POLYSTYRENE (PS) <RECYCLE MATERIAL CONTAINED>

52793-***90 MODEL NO.
DESIGN UNITS METRIC THIRD ANGLE PROJECTION

REVISED EC NO: J2005-3580 DRAWN: NABEI 2005/06/03 CHKD: KTOYODA 2005/06/06 APPR: NUKITA 2005/06/09	GENERAL TOLERANCES (UNLESS SPECIFIED)		DIMENSION STYLE MM ONLY		SCALE ---	TITLE 1.0 FFC CONN ASSY NON ZIF SMT RA UPR CONTACT EMBSTP PKG	
	10 UNDER	±0.2	DRAWN BY T. YASUI	DATE '96/05/29	MOLEX INCORPORATED		
	10 OVER 30 UNDER	±0.25	CHECKED BY S. KUNISHI	DATE '00/12/06			
	30 OVER	±0.3	APPROVED BY M. FUKUSHIMA	DATE '00/12/06			
	ANGULAR ±3 °		MATERIAL NO. SEE CHART		DOCUMENT NO. SD-52793-013		SHEET NO. 1 OF 5
DRAFT WHERE APPLICABLE MUST REMAIN WITHIN DIMENSIONS		THIS DRAWING CONTAINS INFORMATION THAT IS PROPRIETARY TO MOLEX INCORPORATED AND SHOULD NOT BE USED WITHOUT WRITTEN PERMISSION					

10 9 8 7 6 5 4 3 2 1

F

E

D

C

B

A

F

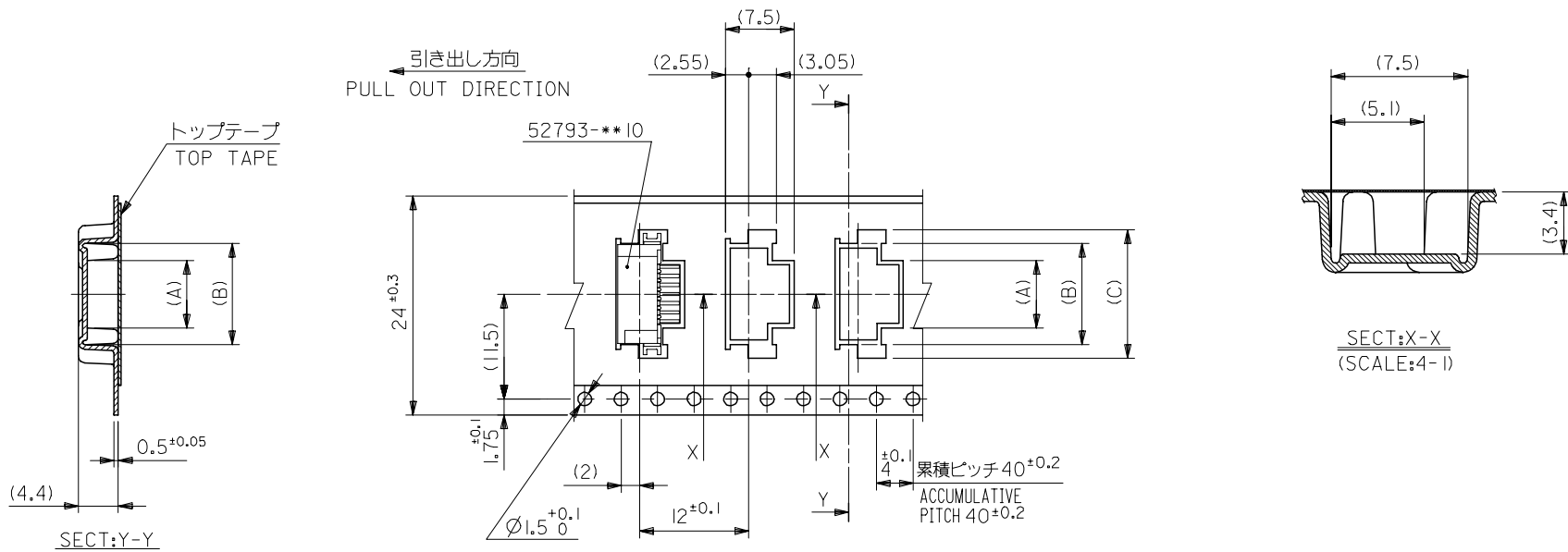
E

D

C

B

A



24mm幅キャリアテープ
24mm WIDTH CARRIER TAPE

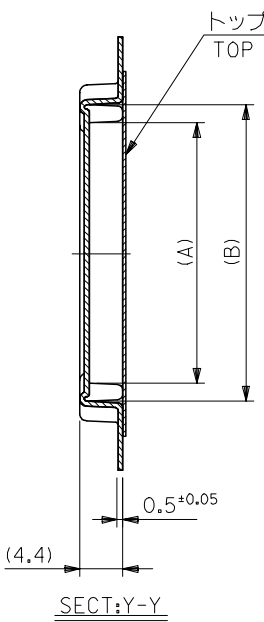
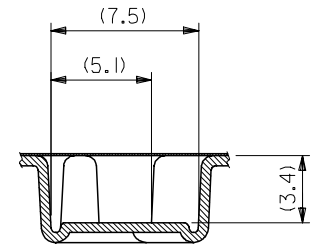
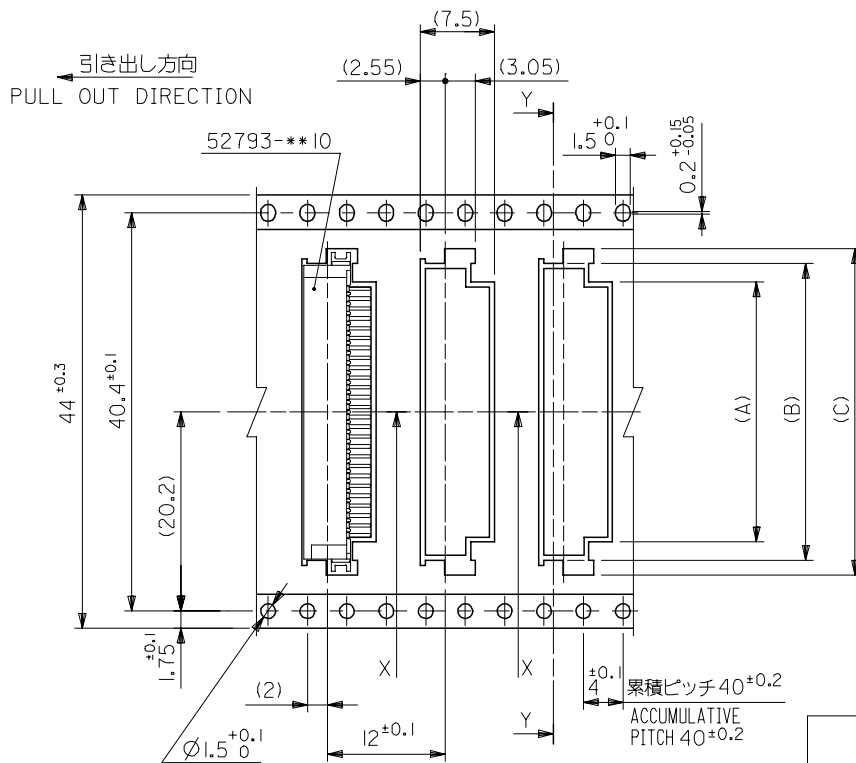
24	25.5	18.1	15.1	11.4	52793-1190	11	
		17.1	14.1	10.4	52793-1090	10	
		16.1	13.1	9.4	52793-0990	9	
		15.1	12.1	8.4	52793-0890	8	
		14.1	11.1	7.4	52793-0790	7	
		13.1	10.1	6.4	52793-0690	6	
		12.1	9.1	5.4	52793-0590	5	
11.1	8.1	4.4	52793-0490	4			
52793-***90	キャリアテープ幅 CARRIER TAPE WIDTH	D	(C)	(B)	(A)	MATERIAL NO.	種数 CKT.

REVISED EC NO: J2005-3580 DRAWN: NABEI 2005/06/03 CHKD: KTOYODA 2005/06/06 APPR: NUKITA 2005/06/09	GENERAL TOLERANCES (UNLESS SPECIFIED)		DIMENSION STYLE MM ONLY		SCALE ---	DESIGN UNITS METRIC	THIRD ANGLE PROJECTION	
	10 UNDER	± ---	DRAWN BY T. YASUI	DATE '96/05/29	TITLE 1.0 FFC CONN ASSY NON ZIF SMT RA UPR CONTACT EMBSTP PKG			
	10 OVER 30 UNDER	± ---	CHECKED BY S. KUNISHI	DATE '00/12/06	MOLEX INCORPORATED			
	30 OVER	± ---	APPROVED BY M. FUKUSHIMA	DATE '00/12/06	DOCUMENT NO. SD-52793-013		SHEET NO. 2 OF 5	
	ANGULAR	± --- °	MATERIAL NO. SEE CHART					
DRAFT WHERE APPLICABLE MUST REMAIN WITHIN DIMENSIONS		THIS DRAWING CONTAINS INFORMATION THAT IS PROPRIETARY TO MOLEX INCORPORATED AND SHOULD NOT BE USED WITHOUT WRITTEN PERMISSION						

10 9 8 7 6 5 4 3 2 1

F
E
D
C
B
A

F
E
D
C
B
A



44mm幅キャリアテープ
44mm WIDTH CARRIER TAPE

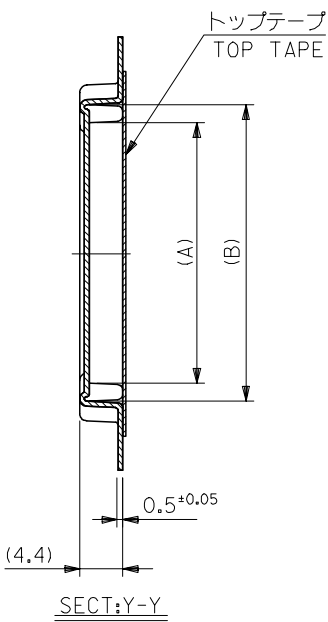
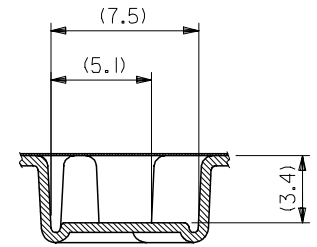
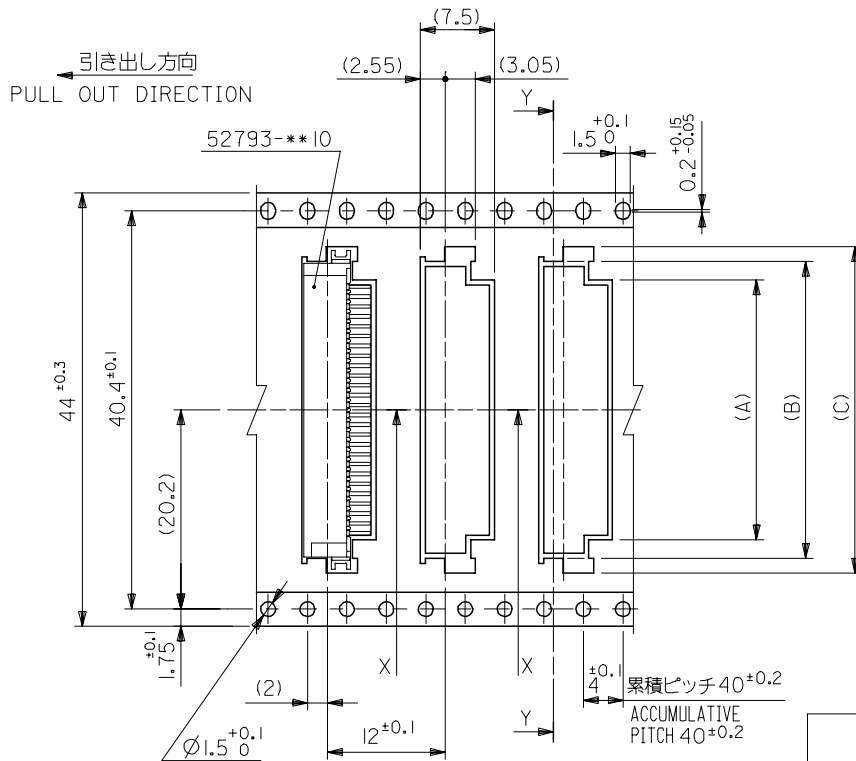
44	45.5	34.1	31.1	27.4	52793-2790	27		
		33.1	30.1	26.4	52793-2690	26		
		32.1	29.1	25.4	52793-2590	25		
		31.1	28.1	24.4	52793-2490	24		
		30.1	27.1	23.4	52793-2390	23		
		29.1	26.1	22.4	52793-2290	22		
		27.1	24.1	20.4	52793-2090	20		
		26.1	23.1	19.4	52793-1990	19		
		25.1	22.1	18.4	52793-1890	18		
24.1	21.1	17.4	52793-1790	17				
52793-***90		キャリアテープ幅	D	(C)	(B)	(A)	MATERIAL NO.	種数
MODEL NO.		CARRIER TAPE WIDTH						CKT.

REVISED EC NO: J2005-3580 DRAWN: MABEI 2005/06/03 CHKD: KTOYODA 2005/06/06 APPR: NUKITA 2005/06/09	GENERAL TOLERANCES (UNLESS SPECIFIED)		DIMENSION STYLE MM ONLY		SCALE ---	DESIGN UNITS METRIC	THIRD ANGLE PROJECTION	
	10 UNDER	± ---	DRAWN BY T. YASUI	DATE '96/05/29	TITLE 1.0 FFC CONN ASSY NON ZIF SMT RA UPR CONTACT EMBSTP PKG			
	10 OVER 30 UNDER	± ---	CHECKED BY S. KUNISHI	DATE '00/12/06	MOLEX INCORPORATED			
	30 OVER	± ---	APPROVED BY M. FUKUSHIMA	DATE '00/12/06	DOCUMENT NO. SD-52793-013		SHEET NO. 4 OF 5	
	ANGULAR	± --- °	MATERIAL NO. SEE CHART					
DRAFT WHERE APPLICABLE MUST REMAIN WITHIN DIMENSIONS		THIS DRAWING CONTAINS INFORMATION THAT IS PROPRIETARY TO MOLEX INCORPORATED AND SHOULD NOT BE USED WITHOUT WRITTEN PERMISSION						

10 9 8 7 6 5 4 3 2 1

F
E
D
C
B
A

F
E
D
C
B
A



44mm幅キャリアテープ
44mm WIDTH CARRIER TAPE

44	45.5	34.1	31.1	27.4	52793-2790	27		
		33.1	30.1	26.4	52793-2690	26		
		32.1	29.1	25.4	52793-2590	25		
		31.1	28.1	24.4	52793-2490	24		
		30.1	27.1	23.4	52793-2390	23		
		29.1	26.1	22.4	52793-2290	22		
		27.1	24.1	20.4	52793-2090	20		
		26.1	23.1	19.4	52793-1990	19		
		25.1	22.1	18.4	52793-1890	18		
24.1	21.1	17.4	52793-1790	17				
52793-**90		キャリアテープ幅	D	(C)	(B)	(A)	MATERIAL NO.	種数
MODEL NO.		CARRIER TAPE WIDTH						CKT.

REVISED EC NO: J2005-3580 DRAWN: MABEI 2005/06/03 CHKD: KTOYODA 2005/06/06 APPR: NUKITA 2005/06/09	GENERAL TOLERANCES (UNLESS SPECIFIED)		DIMENSION STYLE MM ONLY		SCALE ---	DESIGN UNITS METRIC	THIRD ANGLE PROJECTION	
	10 UNDER	± ---	DRAWN BY T. YASUI	DATE '96/05/29	TITLE 1.0 FFC CONN ASSY NON ZIF SMT RA UPR CONTACT EMBSTP PKG			
	10 OVER 30 UNDER	± ---	CHECKED BY S. KUNISHI	DATE '00/12/06	MOLEX INCORPORATED			
	30 OVER	± ---	APPROVED BY M. FUKUSHIMA	DATE '00/12/06	DOCUMENT NO. SD-52793-013		SHEET NO. 4 OF 5	
	ANGULAR	± --- °	MATERIAL NO. SEE CHART					
DRAFT WHERE APPLICABLE MUST REMAIN WITHIN DIMENSIONS		THIS DRAWING CONTAINS INFORMATION THAT IS PROPRIETARY TO MOLEX INCORPORATED AND SHOULD NOT BE USED WITHOUT WRITTEN PERMISSION						

10 9 8 7 6 5 4 3 2 1

F

E

D

C

B

A

F

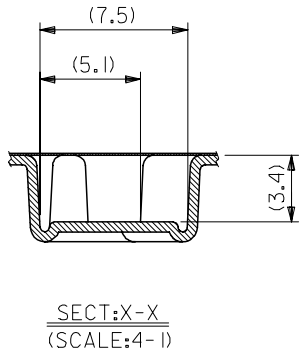
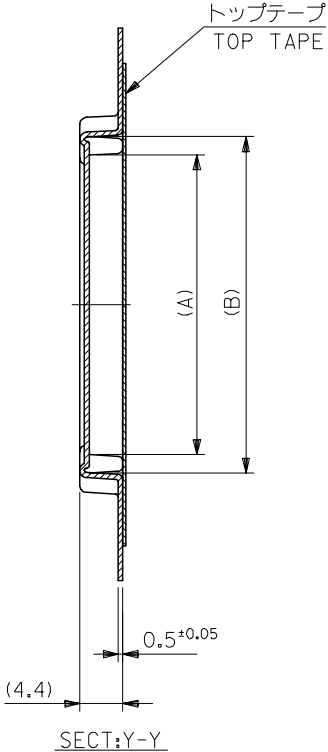
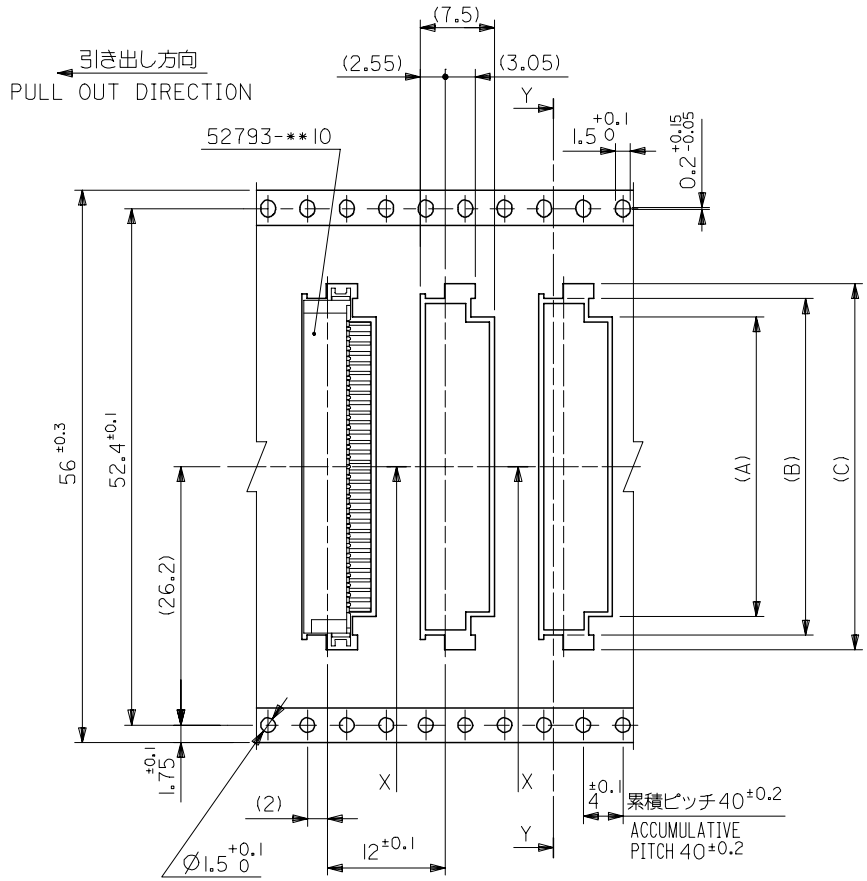
E

D

C

B

A



56mm幅キャリアテープ
56mm WIDTH CARRIER TAPE

52793-**90
MODEL NO.

56	57.5	37.1	34.1	30.4	52793-3090	30
		36.1	33.1	29.4	52793-2990	29
		35.1	32.1	28.4	52793-2890	28
CARRIER TAPE WIDTH	D	(C)	(B)	(A)	MATERIAL NO.	種数 CKT.

REVISED EC NO: J2005-3580 DRAWN: NABEI 2005/06/03 CHKD: KTOYODA 2005/06/06 APPR: NUKITA 2005/06/09	GENERAL TOLERANCES (UNLESS SPECIFIED)		DIMENSION STYLE MM ONLY		SCALE ---	DESIGN UNITS METRIC	THIRD ANGLE PROJECTION
	10 UNDER	± ---	DRAWN BY T. YASUI		TITLE 1.0 FFC CONN ASSY NON ZIF SMT RA UPR CONTACT EMBSTP PKG		
	10 OVER 30 UNDER	± ---	CHECKED BY S. KUNISHI		MOLEX INCORPORATED		
	30 OVER	± ---	APPROVED BY M. FUKUSHIMA		DOCUMENT NO. SD-52793-013		SHEET NO. 5 OF 5
	ANGULAR	± --- °	MATERIAL NO. SEE CHART				
DRAFT WHERE APPLICABLE MUST REMAIN WITHIN DIMENSIONS		THIS DRAWING CONTAINS INFORMATION THAT IS PROPRIETARY TO MOLEX INCORPORATED AND SHOULD NOT BE USED WITHOUT WRITTEN PERMISSION					