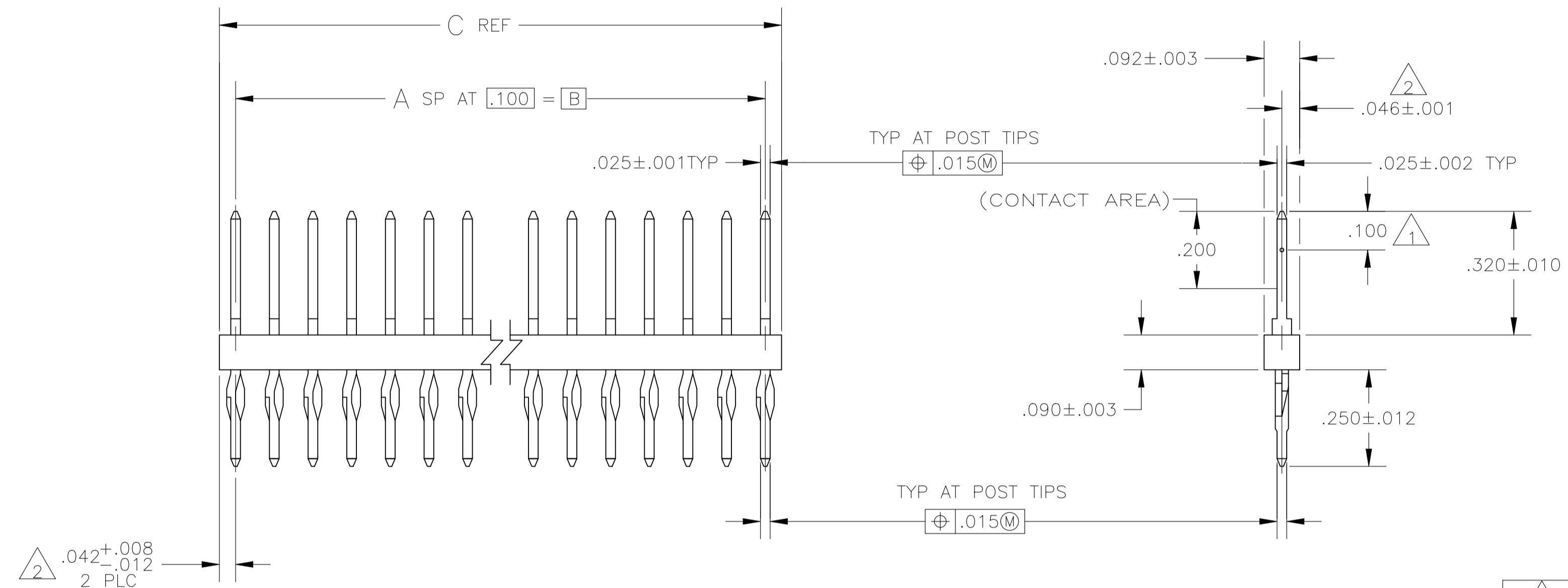
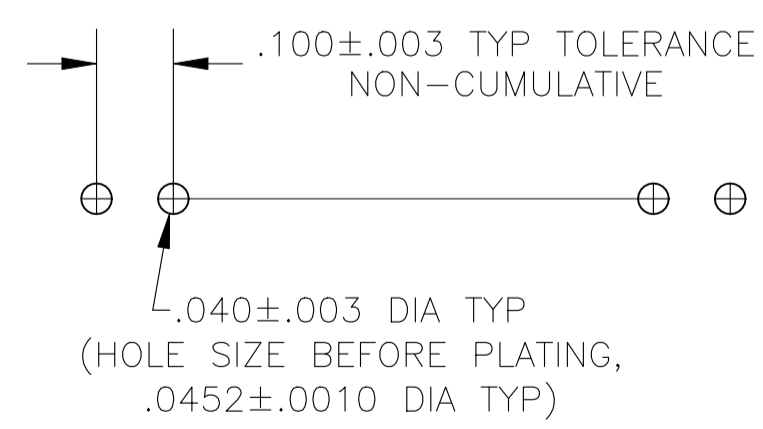


REVISIONS					
P	LTR	DESCRIPTION	DATE	DRN	APVD
J		RESIN SUPPLIER CHANGED FOR THE HOUSING	20MAY2022	SCB	PS



- 1 POINT OF MEASUREMENT FOR PLATING THICKNESS
- 2 THE NOTED DIMENSIONS APPLY AT THE INTERSECTION OF THE POST AND HOUSING
- 3. TRUE POSITION TOLERANCE OF THE POST TIPS APPLIES WHEN THE HEADERS ARE HELD FLAT AGAINST THE PRINTED CIRCUIT BOARD
- 4 FINISH: POSTS, .000030 GOLD IN CONTACT AREA, .000100-.000200 MATTE TIN-LEAD ON SOLDER TAIL, ALL OVER .000050 NICKEL.
- 5 FINISH: POSTS, .000030 GOLD IN CONTACT AREA, .000100-.000200 MATTE TIN ON SOLDER TAIL, ALL OVER .000050 NICKEL.
- 6 OBSOLETE PARTS: OBSOLETE CIS STREAMLINING PER D.RENAUD/D.SINISI



4	.284	.200	2	3	9-102898-0	
4	.684	.600	6	7	8-102898-9	OBSOLETE 6
4	.484	.400	4	5	8-102898-8	
4	.584	.500	5	6	8-102898-7	OBSOLETE 6
4	.384	.300	3	4	8-102898-6	
4	.084	—	—	1	8-102898-5	
4	.184	.100	1	2	8-102898-4	
4	3.984	3.900	39	40	8-102898-3	
4	3.584	3.500	35	36	7-102898-9	
4	3.184	3.100	31	32	7-102898-5	
4	2.984	2.900	29	30	7-102898-3	
4	2.884	2.800	28	29	7-102898-2	
4	2.784	2.700	27	28	7-102898-1	
4	2.684	2.600	26	27	7-102898-0	
4	2.584	2.500	25	26	6-102898-9	
4	2.484	2.400	24	25	6-102898-8	
4	2.384	2.300	23	24	6-102898-7	
4	2.284	2.200	22	23	6-102898-6	
4	2.184	2.100	21	22	6-102898-5	
4	2.084	2.000	20	21	6-102898-4	
4	1.984	1.900	19	20	6-102898-3	
4	1.884	1.800	18	19	6-102898-2	
4	1.784	1.700	17	18	6-102898-1	
4	1.684	1.600	16	17	6-102898-0	
4	1.584	1.500	15	16	5-102898-9	
4	1.484	1.400	14	15	5-102898-8	
4	1.384	1.300	13	14	5-102898-7	
4	1.284	1.200	12	13	5-102898-6	
4	1.184	1.100	11	12	5-102898-5	
4	1.084	1.000	10	11	5-102898-4	
4	.984	.900	9	10	5-102898-3	
4	.884	.800	8	9	5-102898-2	
4	.784	.700	7	8	5-102898-1	
PLATING	C	B	A	NO OF POSN	ASSEMBLY PART NUMBER	

4	.284	.200	2	3	4-102898-0	
4	.684	.600	6	7	3-102898-9	
4	.484	.400	4	5	3-102898-8	
4	.584	.500	5	6	3-102898-7	
4	.384	.300	3	4	3-102898-6	
4	.084	—	—	1	3-102898-5	
4	.184	.100	1	2	3-102898-4	
4	3.984	3.900	39	40	3-102898-3	
4	3.884	3.800	38	39	3-102898-2	
4	3.784	3.700	37	38	3-102898-1	
4	3.684	3.600	36	37	3-102898-0	
4	3.584	3.500	35	36	2-102898-9	
4	3.484	3.400	34	35	2-102898-8	
4	3.384	3.300	33	34	2-102898-7	
4	3.284	3.200	32	33	2-102898-6	
4	3.184	3.100	31	32	2-102898-5	
4	3.084	3.000	30	31	2-102898-4	
4	2.984	2.900	29	30	2-102898-3	
4	2.884	2.800	28	29	2-102898-2	
4	2.784	2.700	27	28	2-102898-1	
4	2.684	2.600	26	27	2-102898-0	
4	2.584	2.500	25	26	1-102898-9	
4	2.484	2.400	24	25	1-102898-8	
4	2.384	2.300	23	24	1-102898-7	
4	2.284	2.200	22	23	1-102898-6	
4	2.184	2.100	21	22	1-102898-5	
4	2.084	2.000	20	21	1-102898-4	
4	1.984	1.900	19	20	1-102898-3	
4	1.884	1.800	18	19	1-102898-2	
4	1.784	1.700	17	18	1-102898-1	
4	1.684	1.600	16	17	1-102898-0	
4	1.584	1.500	15	16	102898-9	
4	1.484	1.400	14	15	102898-8	
4	1.384	1.300	13	14	102898-7	
4	1.284	1.200	12	13	102898-6	
4	1.184	1.100	11	12	102898-5	
4	1.084	1.000	10	11	102898-4	
4	.984	.900	9	10	102898-3	
4	.884	.800	8	9	102898-2	
4	.784	.700	7	8	102898-1	
PLATING	C	B	A	NO OF POSN	ASSEMBLY PART NUMBER	

THIS DRAWING IS A CONTROLLED DOCUMENT.

DIN H. MOLL 16 JULY 87
 CHK L.A. MAYER 16 JULY 87
 APVD T.C. CLARK 16 JULY 87

TE Connectivity

NAME: HEADER ASSY, MOD II, UNSHROUDED, COMPLIANT PIN, SINGLE, ROW .100 C/L, WITH .025 SQ POSTS

PRODUCT SPEC: —
 APPLICATION SPEC: —
 SIZE: A1
 CAGE CODE: 00779
 DRAWING NO: 102898

RESTRICTED TO: —
 WEIGHT: —
 CUSTOMER DRAWING: —

SCALE: 4:1 SHEET 1 of 1 REV J