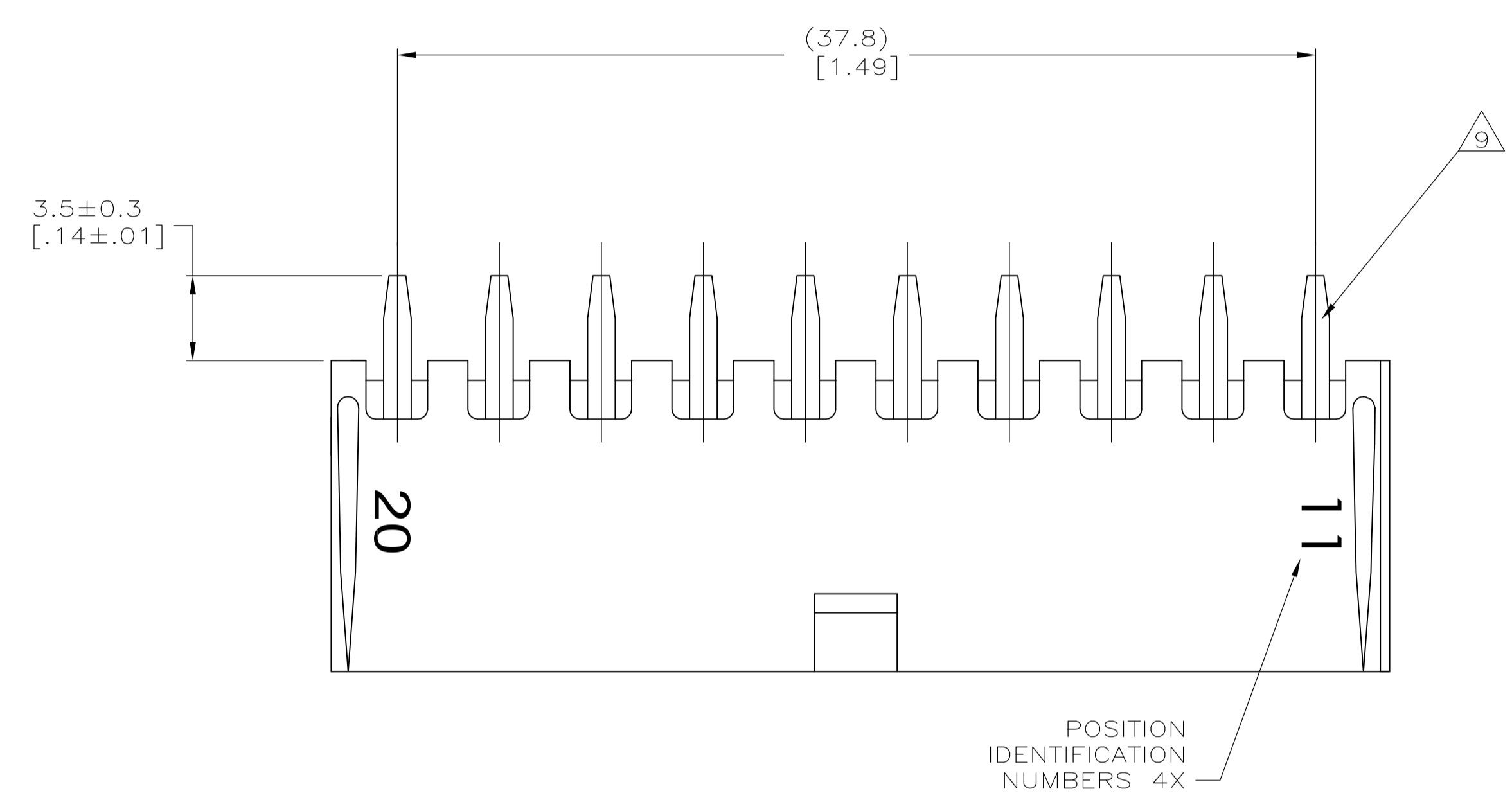
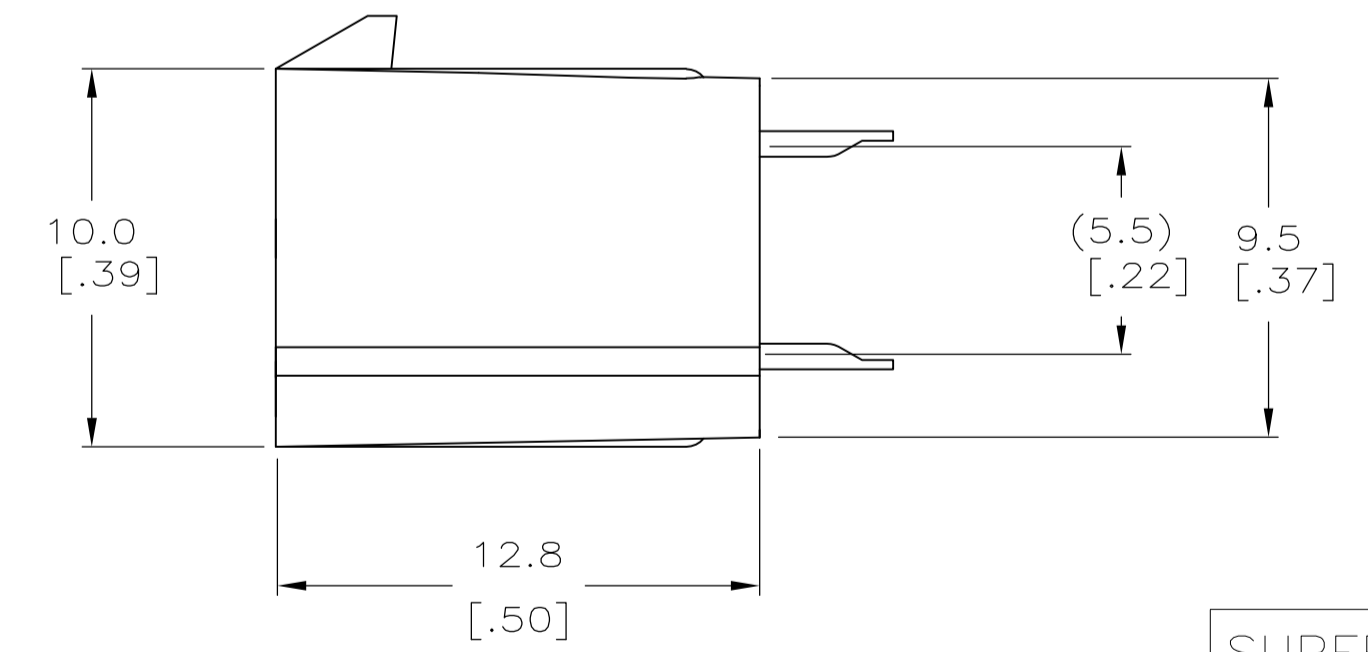
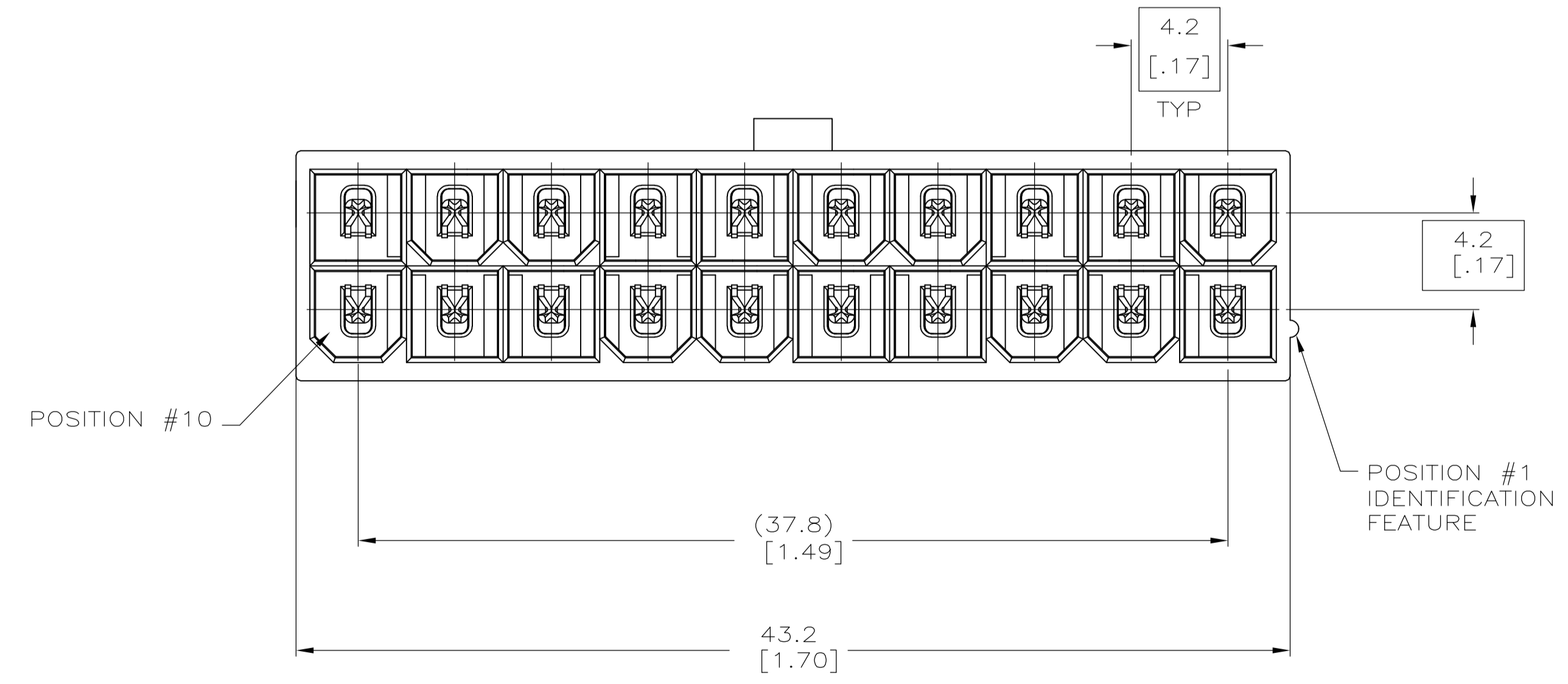


RECOMMENDED MOUNTING HOLE PATTERN FOR 1.78 [.070] MAX THICK P.C. BOARD COMPONENT SIDE SHOWN



- ① MATERIAL: HOUSING - NYLON, UL94V-0, COLOR - BLACK, (COLOR OF PARTS MAY VARY). CONTACT PIN - 0.25 [.010] THICK COPPER ALLOY.
- ② CONTACT FINISH: 0.0030 [.000012] MINIMUM THICK TIN-LEAD OVER 0.00127 [.000050] MINIMUM THICK NICKEL OVER ENTIRE CONTACT.
- ③ CONTACT FINISH: 0.00076 [.000030] MINIMUM THICK GOLD PLATE ON PIN MATING SURFACE, 0.0030 [.00012] MINIMUM THICK TIN-LEAD PLATE ON SOLDER TAIL, ALL OVER 0.00127 [.000050] MINIMUM THICK NICKEL BASE PLATE.
- 4 SOLDER TAIL MEETS AMP SOLDERABILITY SPECIFICATION 109-11-2.
- 5 MATES WITH SIMILAR PLATED AMP-DUAC™ POWER CONNECTOR RECEPTACLE HOUSING/SOCKET CONTACTS.
- ⑥ CONTACT FINISH: 0.0030 [.00012] MINIMUM THICK TIN OVER 0.00127 [.000050] MINIMUM THICK NICKEL OVER ENTIRE CONTACT.
- ⑦ CONTACT FINISH: 0.00076 [.000030] MINIMUM THICK GOLD PLATE ON PIN MATING SURFACE, 0.0030 [.00012] MINIMUM THICK TIN PLATE ON SOLDER TAIL, ALL OVER 0.00127 [.000050] MINIMUM THICK NICKEL BASE PLATE.



SUPERSEDED BY 2-1586496-0	①	②	③	④	1-794415-2
SUPERSEDED BY 2-1586495-0	①	⑥	①	①	1-794415-1
SUPERSEDED BY 1-794415-2	①	③	①	①	794415-2
SUPERSEDED BY 1-794415-1	①	②	①	①	794415-1

MATERIAL	FINISH	MATERIAL	COLOR	ASSEMBLY
PIN		HOUSING		

THIS DRAWING IS A CONTROLLED DOCUMENT.

DIMENSIONS: mm [INCHES]	TOLERANCES UNLESS OTHERWISE SPECIFIED:	DIN S. HOOVER 02-MAR-2005	Tyco Electronics Corporation Harrisburg, PA 17105-3608
0 PL ±	1 PL ± 0.2 [.01]	CHK: D. COLEY 02-MAR-2005	
2 PL ± 0.13 [.005]	3 PL ±	APP'D: D. COLEY 02-MAR-2005	NAME: D. COLEY
4 PL ±	ANGLES ± 0° 30'	PRODUCT SPEC: 108-1699	ASSEMBLY, VERTICAL HEADER, HIGH TEMP 20 POSITIONS AMP-DUAC(TM) POWER CONNECTOR
MATERIAL: SEE CHART	FINISH: SEE CHART	WEIGHT: A1	SIZE: A1
CUSTOMER DRAWING		SCALE: 1:1	SHEET: 1 OF 1

