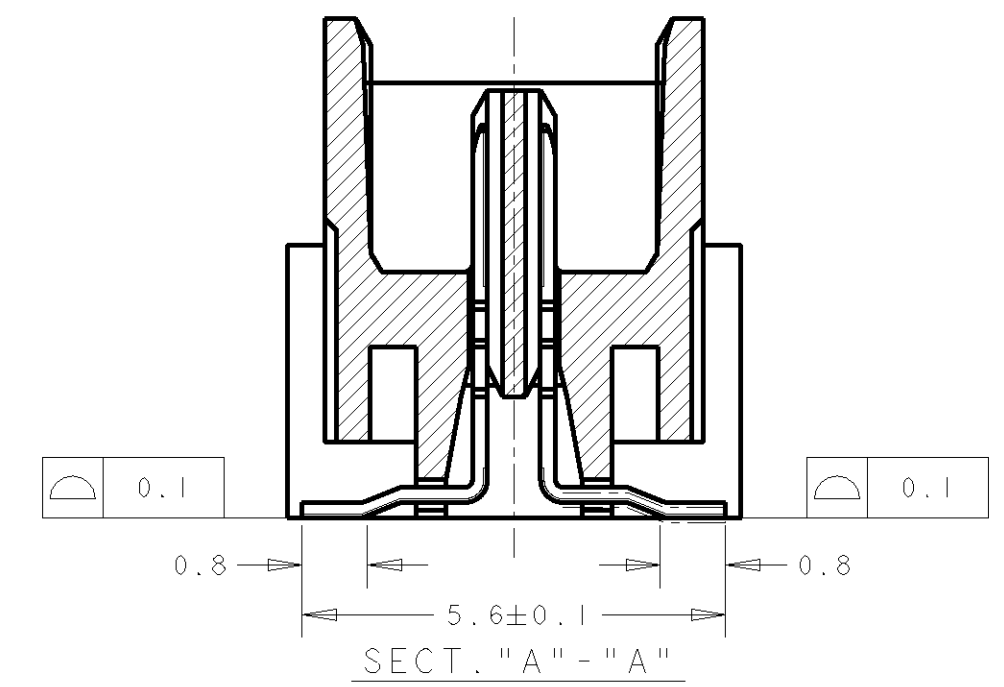
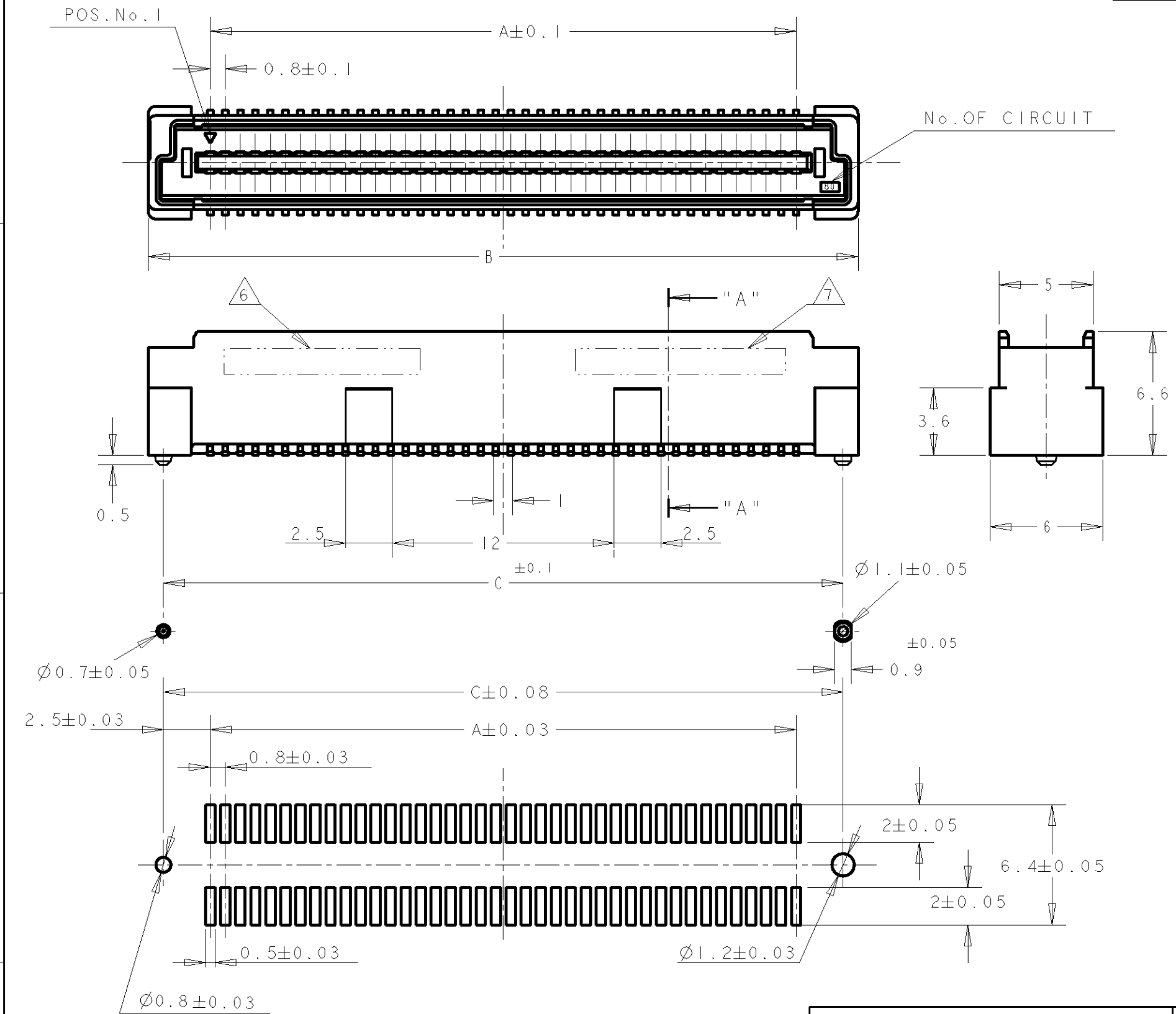


THIS DRAWING IS UNPUBLISHED. RELEASED FOR PUBLICATION .19 .  
 BY - ALL RIGHTS RESERVED.

LOC	DIST	REVISIONS			
P	LTR	DESCRIPTION	DATE	DWN	APVD
DY	-	J4 REVISED PER ECO-11-005139	19MAR11	RK	HMR



- NOTES:
- 1 MATERIAL; HOUSING: L.C.P. (HIGH TEMP THERMO PLASTIC) UL 94V-0, NATURAL. CONTACT: BRASS.
  - 2 FINISH; CONTACT AREA: 0.0002 MIN GOLD ON 0.0013 MIN ALL OVER NICKEL. SOLDERING AREA: 0.001 MIN TIN-LEAD.
  - 3. POSITION SERIES: SEE TABLE.
  - 4. CONN STACK HEIGHT COMBINE OF PLUG "Y" H VS REC "X" H. STACK HEIGHT = Y + X - 5
  - 5 FINISH ; CONTACT AREA: 0.00076 MIN GOLD ON 0.0013 MIN ALL OVER NICKEL. SOLDERING AREA: 0.001 MIN TIN-LEAD.
  - 6 DATE CODE MARKING AT APPROXIMATE LOCATION AS SHOWN
  - 7 PART NUMBER MARKING AT APPROXIMATE LOCATION AS SHOWN
  - 8 OBSOLETE PARTS: OBSOLETE CIS STREAMLINING PER D.RENAUD/D.SINISI
  - 9 OBSOLETE PARTS:

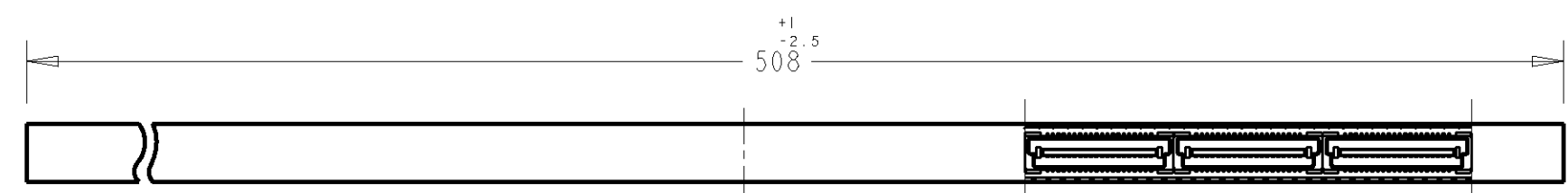
RECOMMENDED P.C. BOARD LAYOUT

P/N SEE SHEET 2 AND 3 OF 3

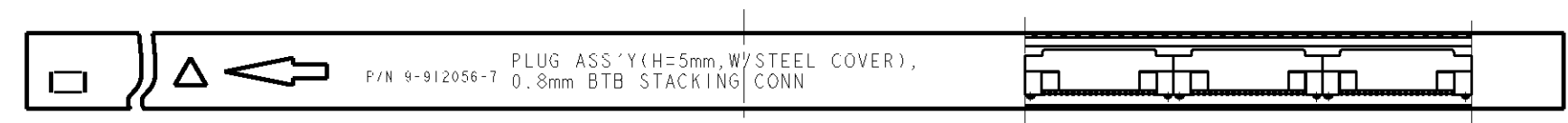
DWN T. KUSUHARA 30MAR93		TE Connectivity	
CHK I. ENOMOTO 30MAR93			
APVD SF J FONG		NAME	
PRODUCT SPEC		PLUG ASSEMBLY 7H TYPE (0.5 BOSS LENGTH) FOR FH 0.8mm PITCH B-T-B CONNECTOR	
APPLICATION SPEC		SIZE	CAGE CODE
WEIGHT		A3	00779
MATERIAL		DRAWING NO	
FINISH		C-179030	
CUSTOMER DRAWING		SCALE	SHEET
		4:1	1 OF 3
			REV J4

THIS DRAWING IS UNPUBLISHED. RELEASED FOR PUBLICATION .19 .  
 © COPYRIGHT 19 BY - ALL RIGHTS RESERVED.

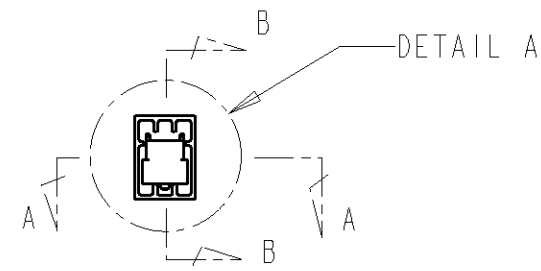
LOC	DIST	REVISIONS				
P	LTR	DESCRIPTION	DATE	DWN	APVD	
		SEE SHEET 1 OF 3				



SECT A-A

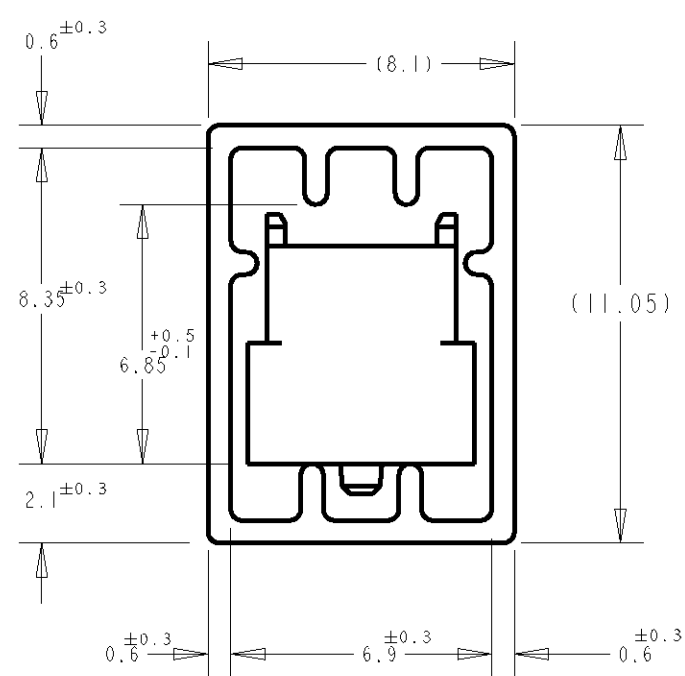


SECT B-B



P/N 9-912056-7 PLUG ASS'Y (H=5mm, W/ STEEL COVER),  
 0.8mm BTB STACKING CONN

REFERENCE PICTURE OF TUBE PACK



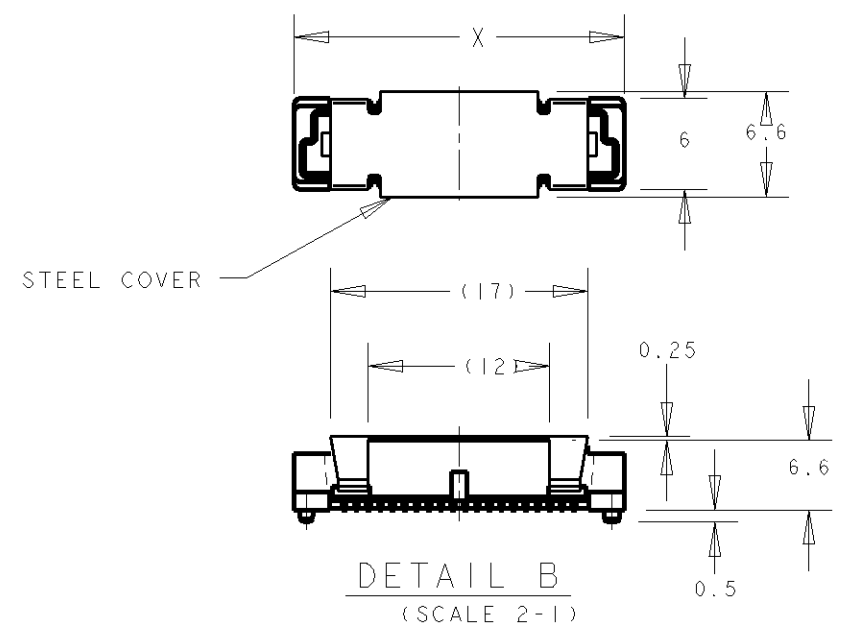
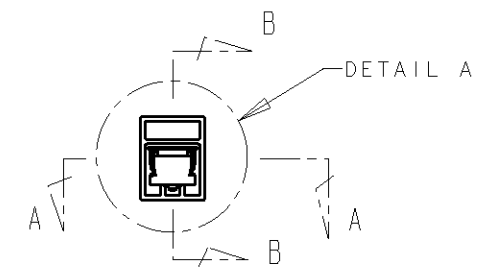
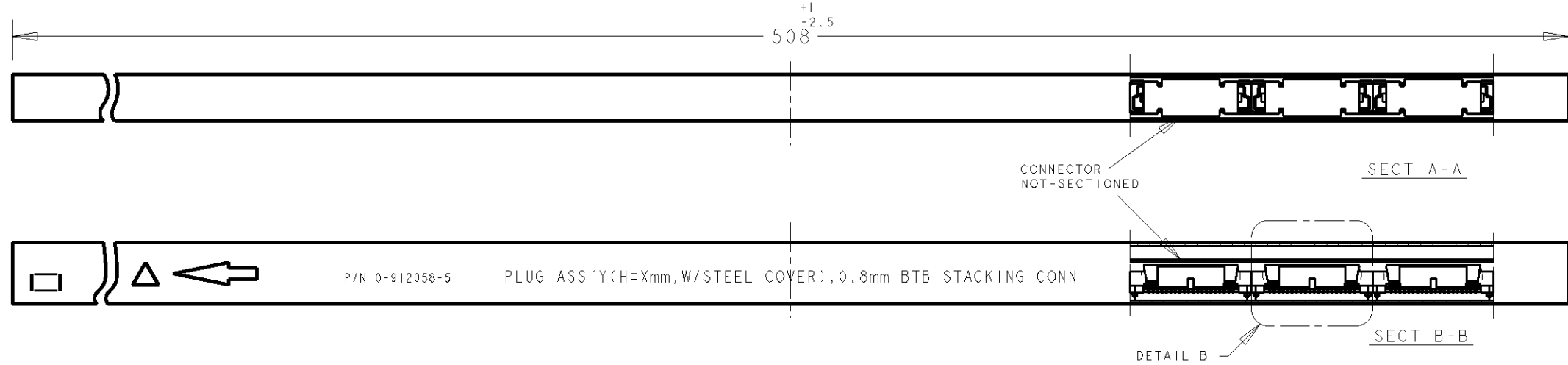
DETAIL "B"  
(SCALE 5-1)

5	5	84.2	85.8	79.2	200	2-	-0
	6	76.2	77.8	71.2	180	1-	-9
	6	68.2	69.8	63.2	160	1-	-8
	7	64.2	65.8	59.2	150	9	7
	7	60.2	61.8	55.2	140	1-	-6
	9	52.2	53.8	47.2	120	1-	-5
	10	44.2	45.8	39.2	100	1-	-4
	12	36.2	37.8	31.2	80	1-	-3
	16	28.2	29.8	23.2	60	1-	-2
	22	20.2	21.8	15.2	40	1-	-1
2	5	84.2	85.8	79.2	200	1-	-0
	6	76.2	77.8	71.2	180		-9
	6	68.2	69.8	63.2	160		-8
	7	64.2	65.8	59.2	150	8	7
	7	60.2	61.8	55.2	140		-6
	9	52.2	53.8	47.2	120		-5
	10	44.2	45.8	39.2	100		-4
	12	36.2	37.8	31.2	80		-3
	16	28.2	29.8	23.2	60		-2
	22	20.2	21.8	15.2	40		179030-1
FINISH	QTY/TUBE	C	B	A	POS.	CONN P/N	

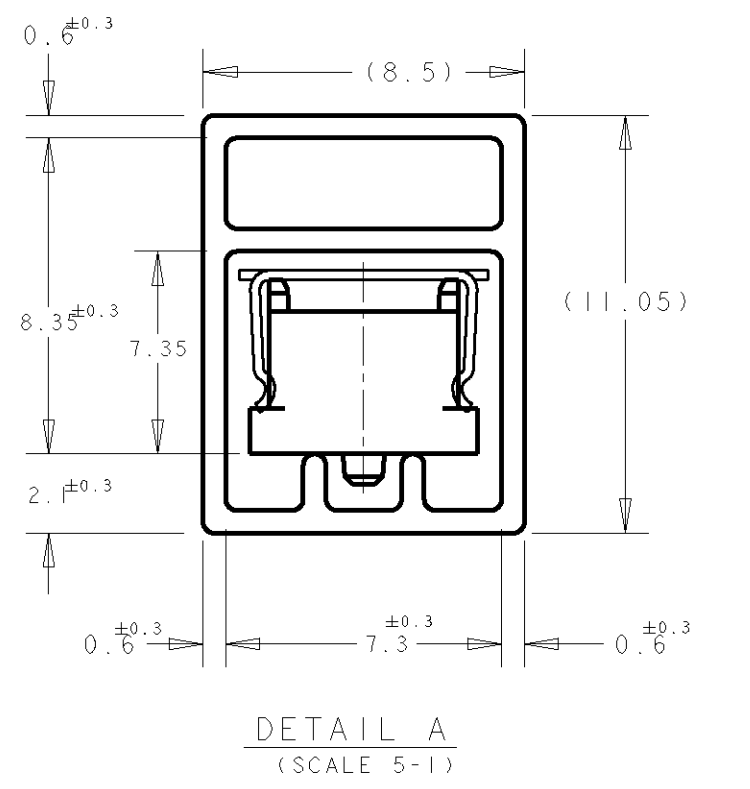
DWN T. KUSUHARA 30MAR93		TE Connectivity	
CHK I. ENOMOTO 30MAR93			
APVD SF J FONG		NAME	
PRODUCT SPEC		PLUG ASSEMBLY 7H TYPE (0.5 BOSS LENGTH) FOR FH 0.8mm PITCH B-T-B CONNECTOR	
APPLICATION SPEC		SIZE	CAGE CODE
WEIGHT		A3	00779
MATERIAL		DRAWING NO	
FINISH		C-179030	
CUSTOMER DRAWING		SCALE 4:1	SHEET 2 OF 3
		REV J4	

THIS DRAWING IS UNPUBLISHED. RELEASED FOR PUBLICATION .19 .  
 © COPYRIGHT 19 BY - ALL RIGHTS RESERVED.

LOC	DIST	REVISIONS					
DY	-	P	LTR	DESCRIPTION	DATE	DWN	APVD
				SEE SHEET 1			



PLUG TUBE ASSY WITH STEEL COVER FOR FH 0.8 B-T-B CONNECTOR



WITH STEEL COVER	5	5	85.8	200	3-	-0
		6	77.8	180	2-	-9
		6	69.8	160	9	2-8
		7	65.8	150	9	2-7
		7	61.8	140	9	2-6
		9	53.8	120	9	2-5
		10	45.8	100	9	2-4
		12	37.8	80	9	2-3
		16	29.8	60	9	2-2
		22	21.8	40	9	2-179030-1
REMARKS	FINISH	QTY/TUBE	X	POS.	CONN P/N	

DIMENSIONS: mm		TOLERANCES UNLESS OTHERWISE SPECIFIED:		DWN WYLEE 2AUG04		TE Connectivity	
		0 PLC ±-	1 PLC ±0.20	CHK ERIC TNG			
MATERIAL -		2 PLC ±0.25	3 PLC ±0.30	APVD SF FONG		PLUG ASSEMBLY 7H TYPE (0.5 BOSS LENGTH) FOR FH 0.8mm PITCH B-T-B CONNECTOR	
FINISH -		4 PLC ±-	ANGLES ±3°	PRODUCT SPEC -		SIZE A3	CAGE CODE 00779
				APPLICATION SPEC -		DRAWING NO C-179030	
				WEIGHT -		SCALE 1:1	SHEET 3 OF 3
				CUSTOMER DRAWING			REV J4