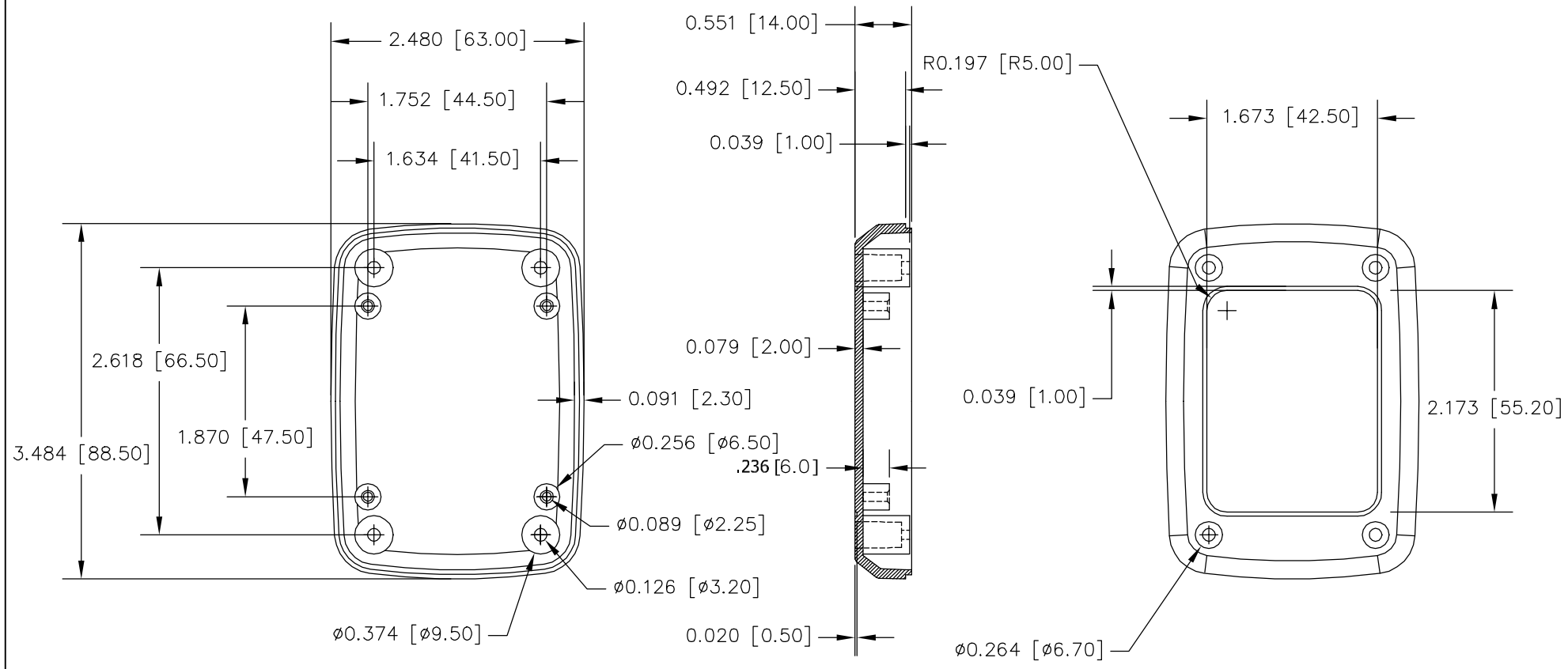
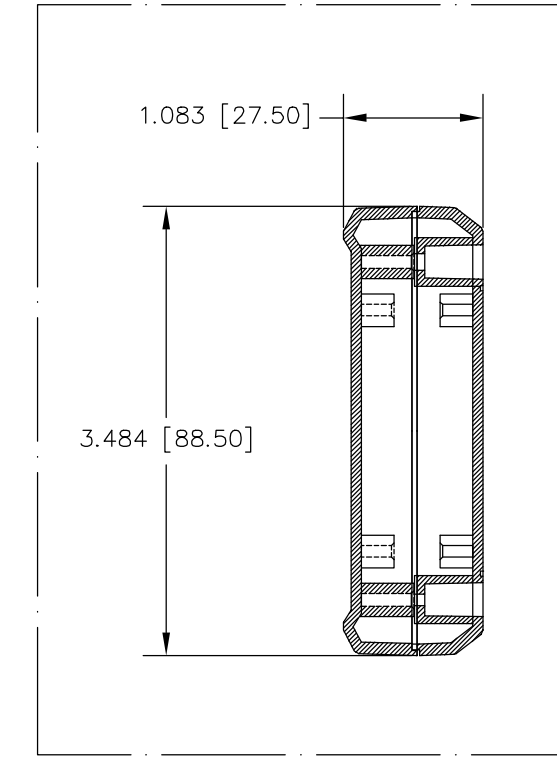


LID



BASE

MATERIAL : FLAME RETARDANT OF ABS (UL94-V0)
 COLOR: BLACK
 FINISH:
 SHELL EXTERIOR SURFACES ARE TEXTURED.
 RECESSED AREAS ON EXTERIOR ARE SMOOTH.
 FOUR (4) INTERNAL BOSSES ON EACH SHELL ARE
 DESIGNED TO TRAP PCB BETWEEN ASSEMBLED
 SHELL HALVES.
 FOUR (4) #4 SCREWS ARE SUPPLIED FOR ASSEMBLING
 SHELL HALVES
 ALL DIMENSIONAL TOLERANCES ARE +/-0.15

| ITEM | REQ'D. | PART NO. | DESCRIPTION |
|--|---------|---|--|
| | | | NAME: HAND-HELD BOX STYLE P 3.47 X 2.48 X 1.08 |
| | | | DWG. NO. HH-3642 |
| TOLERANCES: ±.005 BETWEEN HOLE CENTERS ±.015 FROM SHEARED EDGE ±.032 FROM A BENT SURFACE ±.063 BETWEEN ASSEMBLED SURFACES UNLESS OTHERWISE SPECIFIED | | MAT: NOTED FINISH: BLACK DR. RD 10-13-08 CH. APP. | SCALE: BUD INDUSTRIES, INC. WILLOUGHBY, OHIO |
| QTY. | USED ON | | |