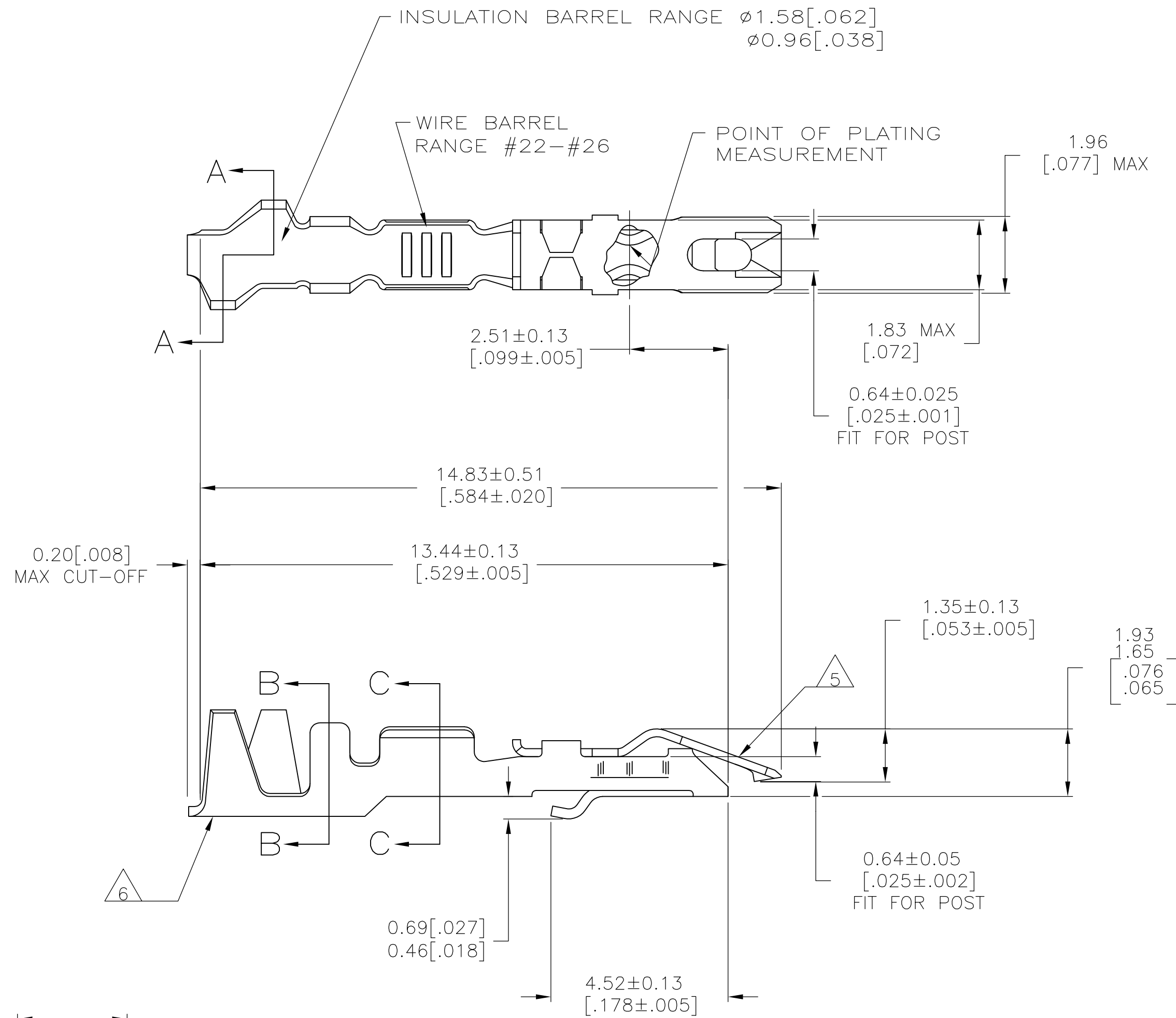
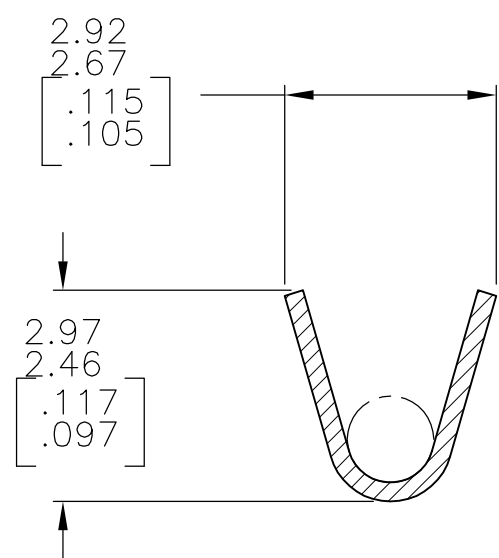


THIS DRAWING IS UNPUBLISHED. RELEASED FOR PUBLICATION
 © COPYRIGHT - By - ALL RIGHTS RESERVED.

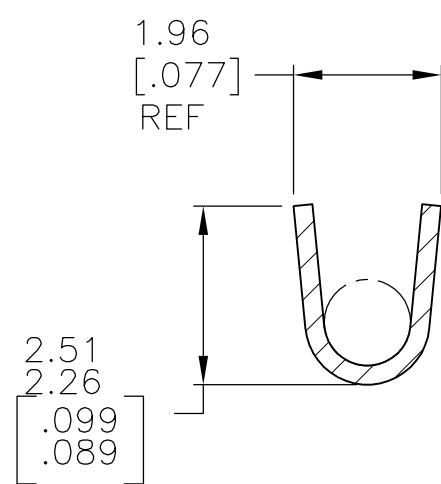
REVISIONS					
P	LTR	DESCRIPTION	DATE	DWN	APVD
R1		REVISED PER ECO-11-004917	11MAR11	RK	HMR
R2		REVISED PER ECO-16-006924	28APR2017	RS	JO



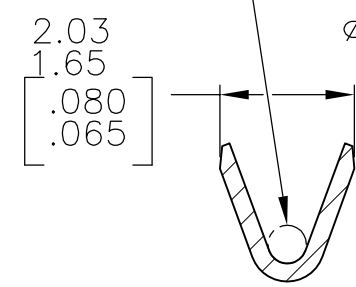
- 1 PLATED WITH 0.00076[.000030] GOLD IN CONTACT AREA, GOLD FLASH ON REMAINDER, OVER 0.00127[.000050] NICKEL.
- 2 PLATED WITH 0.00127[.000050] GOLD IN CONTACT AREA, GOLD FLASH ON REMAINDER, OVER 0.00127[.000050] NICKEL.
- 3 PLATED WITH 0.00254[.000100] BRIGHT TIN-LEAD OVER 0.00127[.000050] NICKEL - ENTIRE CONTACT.
- 4 PLATED WITH 0.00127[.000050] GOLD OVER 0.00127[.000050] NICKEL - ENTIRE CONTACT.
- 5 SPRING MATERIAL: STAINLESS STEEL
- 6 BODY MATERIAL: PHOS BRONZE FINISH: SEE TABLE
- 7 PLATED WITH 0.00254[.000100] BRIGHT TIN OVER 0.00127[.000050] NICKEL - ENTIRE CONTACT.



A-A
(ROTATED 90° CLOCKWISE)



B-B



C-C

OBSELETE

1	9-87124-1	9-87165-1
7	87124-2	5-87165-2
4	87124-4	87165-4
2	87124-3	87165-3
3	87124-2	87165-2
1	87124-1	87165-1
BODY FINISH	STRIP PART NUMBER	PART NUMBER

THIS DRAWING IS A CONTROLLED DOCUMENT.		DWN E. BRANDBERG 23NOV94	TE Connectivity		
DIMENSIONS: mm [INCHES]		CHK S. SHUEY 23NOV94	NAME		
TOLERANCES UNLESS OTHERWISE SPECIFIED:		APVD D. DUPLER 23NOV94	PRODUCT SPEC		
0 PLC ± -		APPLICATION SPEC		108-36028	
1 PLC ± -		SIZE		A2	
2 PLC ± -		CAGE CODE		00779	
3 PLC ± -		DRAWING NO		C=87165	
4 PLC ± -		WEIGHT		-	
ANGLES ± -		CUSTOMER DRAWING		SCALE 10:1	
FINISH		SEE TABLE		SHEET 1 of 1	
AS NOTED		REV R2		RESTRICTED TO	