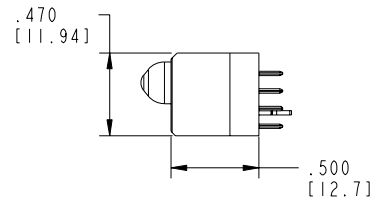
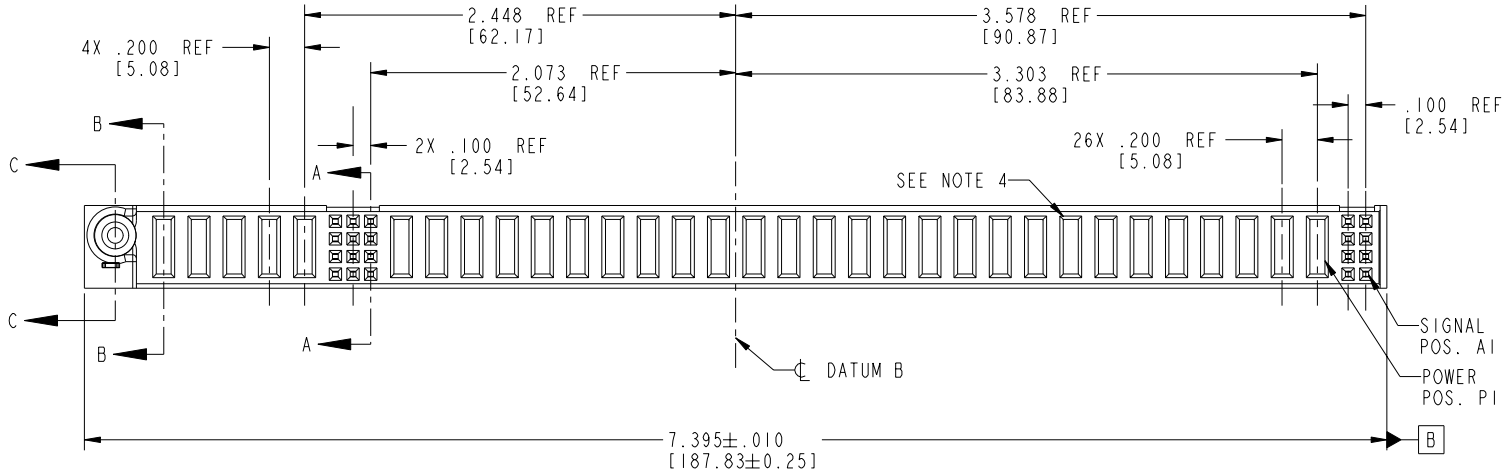


Tous droits strictement réservés. Reproduction ou communication a des tiers interdite sous quelque forme que ce soit sans autorisation écrite du propriétaire. Propriété de c FCI. Droits de reproduction FCI.

All rights strictly reserved. Reproduction or issue to third parties in any form whatever is not permitted without written authority from the proprietor. Property of FCI. Copyright FCI.

PRODUCT NO.	ROWS	POWER										SIG.		POWER										SIG.																		
		E1	P32	P31	P30	P29	P28	5	4	3	P27	P26	P25	P24	P23	P22	P21	P20	P19	P18	P17	P16	P15	P14	P13	P12	P11	P10	P9	P8	P7	P6	P5	P4	P3	P2	P1	2	1			
51940-071-- NOTE:3	D C B A		PA	PA	PA	PA	PA	E	E	E	PA	PA	PA	PA	PA	PA	PA	PA	PA	PA	PA	PA	PA	PA	PA	PA	PA	PA	PA	PA	PA	PA	PA	PA	PA	PA	PA	E	E	E	E	E



CODE	DIM "M" MATING LENGTH	CONTACT TYPE
E	N/A [N/A]	SIGNAL
PA	.042 [1.07]	POWER
HA	N/A [N/A]	HOLD-DOWN

mat'l code				SEE NOTE 2		tolerances unless otherwise specified		CUSTOMER		 www.fciconnect.com	
ltr	ecn no.	dr	date	linear	.XX±.01/0.X±0.3	projection	COPY		title 8S + 27P + 12S + 5P		
A	V03-1332	TAB	01/08/04		.XXX±.005/0.XX±0.13				VERTICAL SOLDER RECEPT		
B	DG05-0490	CS	11/22/05	angles	.XXX±.0020/0.XXX±0.051		INCH/MM		product family PwrBlade		code 213
				dr	T. BRUNGARD 01/08/04	scale	1:1		size		sheet 1 of 4
				enr	M. GRAY 01/08/04			dwg no		51940-071	
				chr	M. GRAY 01/08/04			A			
				appd	M. GRAY 01/08/04						
sheet index	revision sheet	B 1	B 2	B 3	B 4						

cage code 22526

Pro/E

PDM: Rev:B

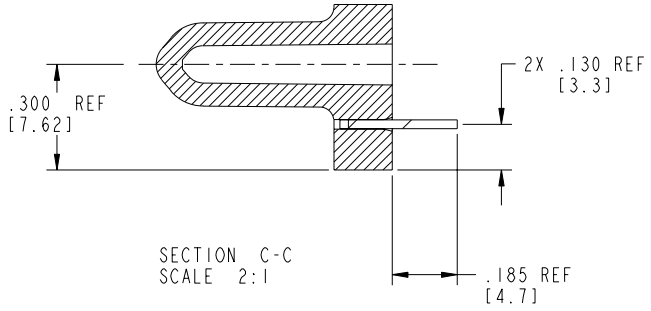
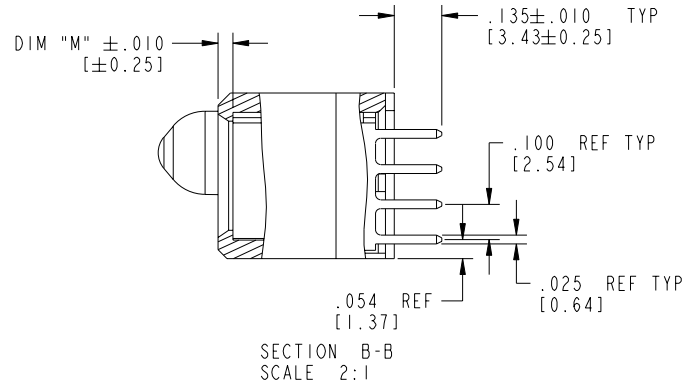
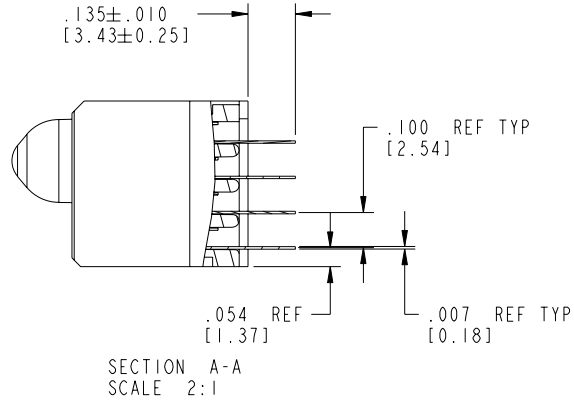
STATUS:Released

Printed: Dec 20, 2010

Tous droits strictement réservés. Reproduction ou communication a des tiers interdite sous quelque forme que ce soit sans autorisation écrite du propriétaire. Propriété de c FCI. Droits de reproduction FCI.

All rights strictly reserved. Reproduction or issue to third parties in any form whatever is not permitted without written authority from the proprietor. Property of FCI. Copyright FCI.

PRODUCT NUMBER
51940-071--
NOTE: 3



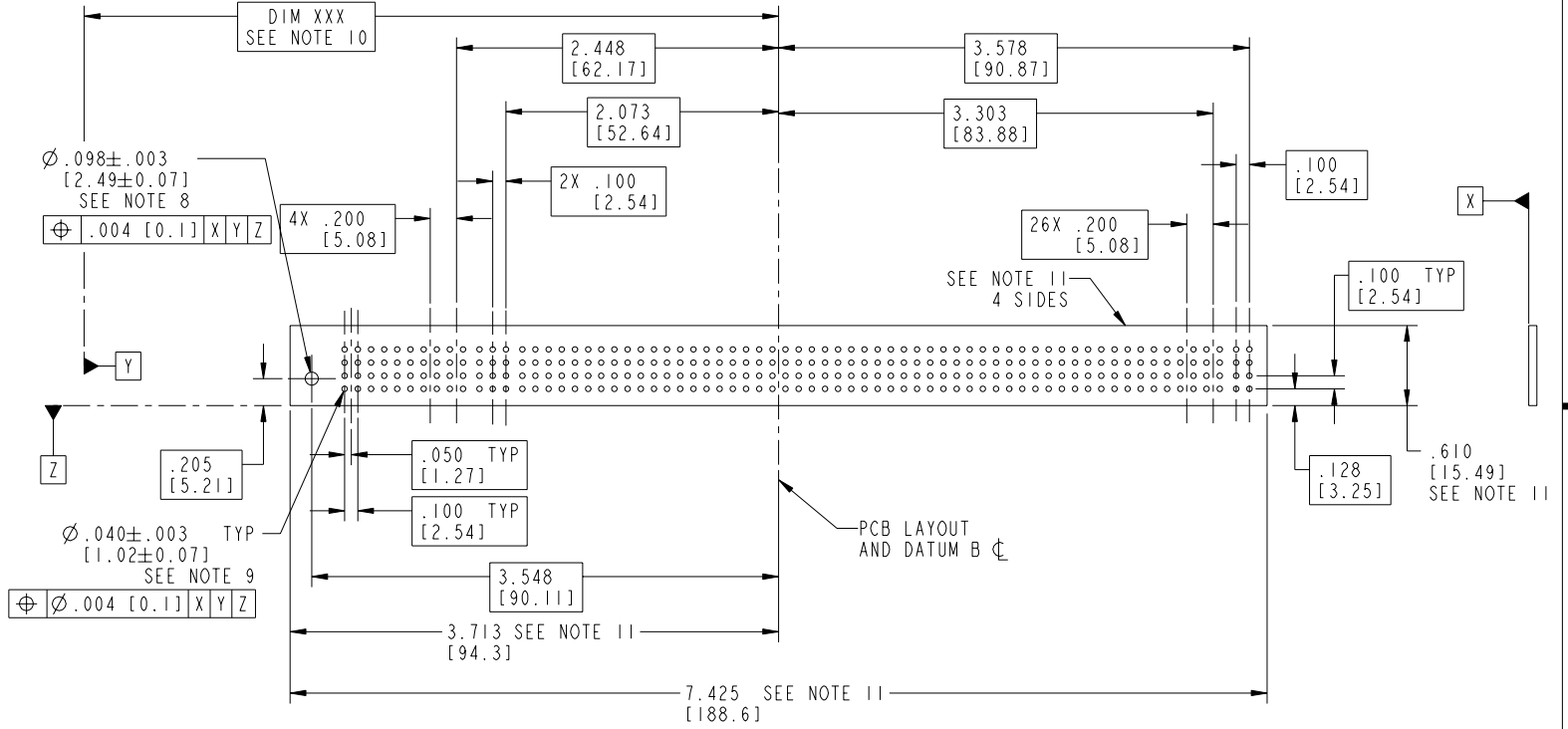
mat'l code		SEE NOTE 2		tolerances unless otherwise specified		CUSTOMER		 www.fciconnect.com	
ltr	ecn no.	dr	date	linear	.XX±.01/0.X±0.3	COPY		projection	
B					.XXX±.005/0.XX±0.13	INCH/MM		title 8S + 27P + 12S + 5P VERTICAL SOLDER RECEPT	
				angles	.XXX±.0020/0.XXX±0.051	scale 1:1		product family PwrBlade code 213	
				dr	0°±2°	A		size dwg no 51940-071 sheet 2 of 4	
				enr	T. BRUNGARD 01/08/04				
				chr	M. GRAY 01/08/04				
				appd	M. GRAY 01/08/04				
sheet index	revision sheet								

cage code 22526 4

Tous droits strictement réservés. Reproduction ou communication à des tiers interdite sous quelque forme que ce soit sans autorisation écrite du propriétaire. Propriété de c FCI. Droits de reproduction FCI.

All rights strictly reserved. Reproduction or issue to third parties in any form whatever is not permitted without written authority from the proprietor. Property of FCI. Copyright FCI.

PRODUCT NUMBER
51940-071__
NOTE: 3



mat'l code		SEE NOTE 2		tolerances unless otherwise specified		CUSTOMER		 www.fciconnect.com	
ltr	ecn no.	dr	date	linear	.XX±.01/0.X±0.3	COPY		projection	
B					.XXX±.005/0.XX±0.13			title 8S + 27P + 12S + 5P VERTICAL SOLDER RECEPT	
				angles	.XXX±.0020/0.XXX±0.051	 INCH/MM		product family PwrBlade code 213	
				dr	T. BRUNGARD 01/08/04	scale 3:4		size dwg no 51940-071 sheet 3 of 4	
				enr	M. GRAY 01/08/04				
				chr	M. GRAY 01/08/04				
				appd	M. GRAY 01/08/04				
sheet index	revision sheet								

cage code 22526 4

Pro/E

Tous droits strictement réservés. Reproduction ou communication à des tiers interdite sous quelque forme que ce soit sans autorisation écrite du propriétaire. Propriété de c FCI. Droits de reproduction FCI.

All rights strictly reserved. Reproduction or issue to third parties in any form whatever is not permitted without written authority from the proprietor. Property of FCI. Copyright FCI.

1 | 2

3 |

4

PRODUCT NUMBER
51940-071__
NOTE: 3

NOTES:

1. DIMENSIONS AND TOLERANCES ARE IN ACCORDANCE WITH ASME Y14.5M, 1994 UNLESS OTHERWISE SPECIFIED.

CONNECTOR NOTES:

2 HOUSING MATERIAL: UL 94 V-0 GLASS FILLED
HIGH-TEMP THERMOPLASTIC
POWER CONTACT MATERIAL: COPPER ALLOY
SIGNAL PIN MATERIAL: COPPER ALLOY

3. PLATING:
51940-071 Singal Pin:30u"/0.76um Au OVER 50u"/1.27um Ni ON THE CONTACT AREA
AND 100u"/2.54um SnPb PLATING OVER 50u"/1.27um Ni ON THE TERMINATION SECTION.
Power Pin:30u"/0.76um Au OVER 50u"/1.27um Ni ON THE CONTACT AREA,
AND 100u"/2.54um SnPb PLATING OVER 50u"/1.27um Ni ON THE TERMINATION SECTION.

51940-071LF Singal Pin:30u"/0.76um Au OVER 50u"/1.27um Ni ON THE CONTACT AREA
AND 78u"/2.00um Sn PLATING OVER 50u"/1.27um Ni ON THE TERMINATION SECTION.
Power Pin:30u"/0.76um Au OVER 50u"/1.27um Ni ON THE CONTACT AREA,
AND 78u"/2.00um Sn PLATING OVER 50u"/1.27um Ni ON THE TERMINATION SECTION.

PART NUMBER 51940-071LF MEETS EUROPEAN UNION DIRECTIVE AND OTHER COUNTRY REGULATIONS AS DESCRIBED IN GS-22-008.

THE HOUSING WILL WITHSTAND EXPOSURE TO 260° PEAK TEMPERATURE FOR 10 SECONDS IN A WAVE SOLDER APPLICATION WITH A CIRCUIT BOARD.

4 MANUFACTURER'S NAME, P/N, AND DATE CODE TO APPEAR ON THIS SURFACE.

5. PRODUCT SPECIFICATION GS-12-149.
APPLICATION SPECIFICATION BUS-20-067.

6. PACKAGED IN TRAYS.

PCB NOTES:


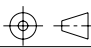
7. ALL HOLE DIAMETERS ARE FINISHED HOLE SIZE.

8 MOUNTING HOLES, WHERE APPLICABLE, ARE UNPLATED.

9 $\varnothing .0453 \pm .0010$ [1.151 ± 0.025] DRILLED HOLES PLATED WITH
.0003 [0.008] MIN SnPb OVER .001 [0.03]
TO .003 [0.08] Cu PLATING TO ACHIEVE
 $\varnothing .040 \pm .003$ [1.02 ± .07] HOLE.

10 "DIM XXX" TO BE DETERMINED BY THE CUSTOMER.

11 CONNECTOR KEEP-OUT ZONE.

mat'l code		SEE NOTE 2		tolerances unless otherwise specified		CUSTOMER		 www.fciconnect.com	
ltr	ecn no.	dr	date	linear	.XX±.01/0.X±0.3	COPY		projection	title 8S + 27P + 12S + 5P VERTICAL SOLDER RECEPT
B					.XXX±.005/0.XX±0.13				
				angles	XXXX±.0020/0.XXX±0.051	INCH/MM		product family PwrBlade	code 213
				dr	0° ± 2°	scale 1:1		size	sheet 4 of 4
				enr	T. BRUNGARD 01/08/04			dwg no	
				chr	M. GRAY 01/08/04			51940-071	
				appd	M. GRAY 01/08/04				
sheet index	revision sheet								

A

A

B

B

1 | 2

3 |

4

Pro/E

cage code 22526

PDM: Rev:B

STATUS:Released

Printed: Dec 20, 2010