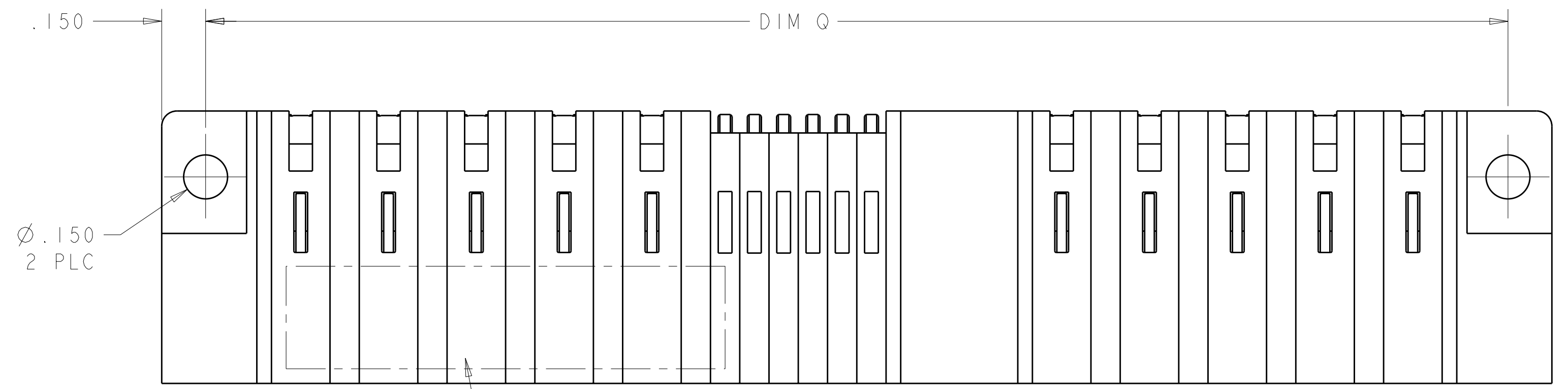
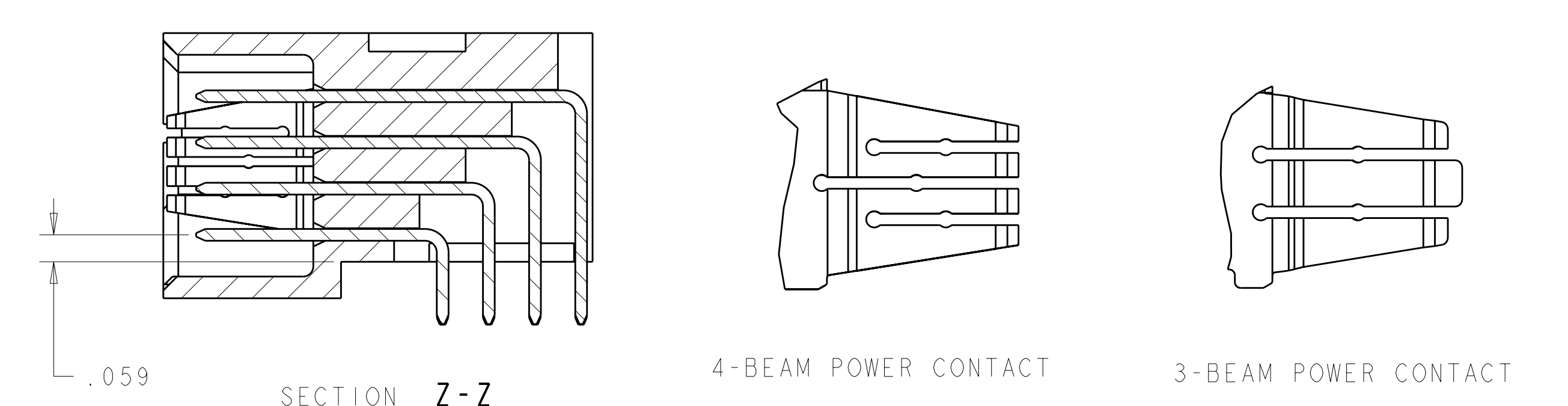
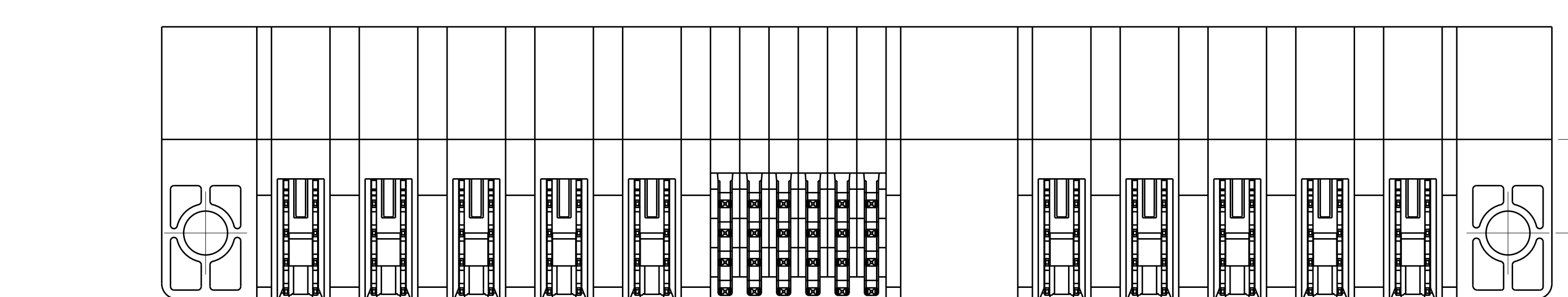
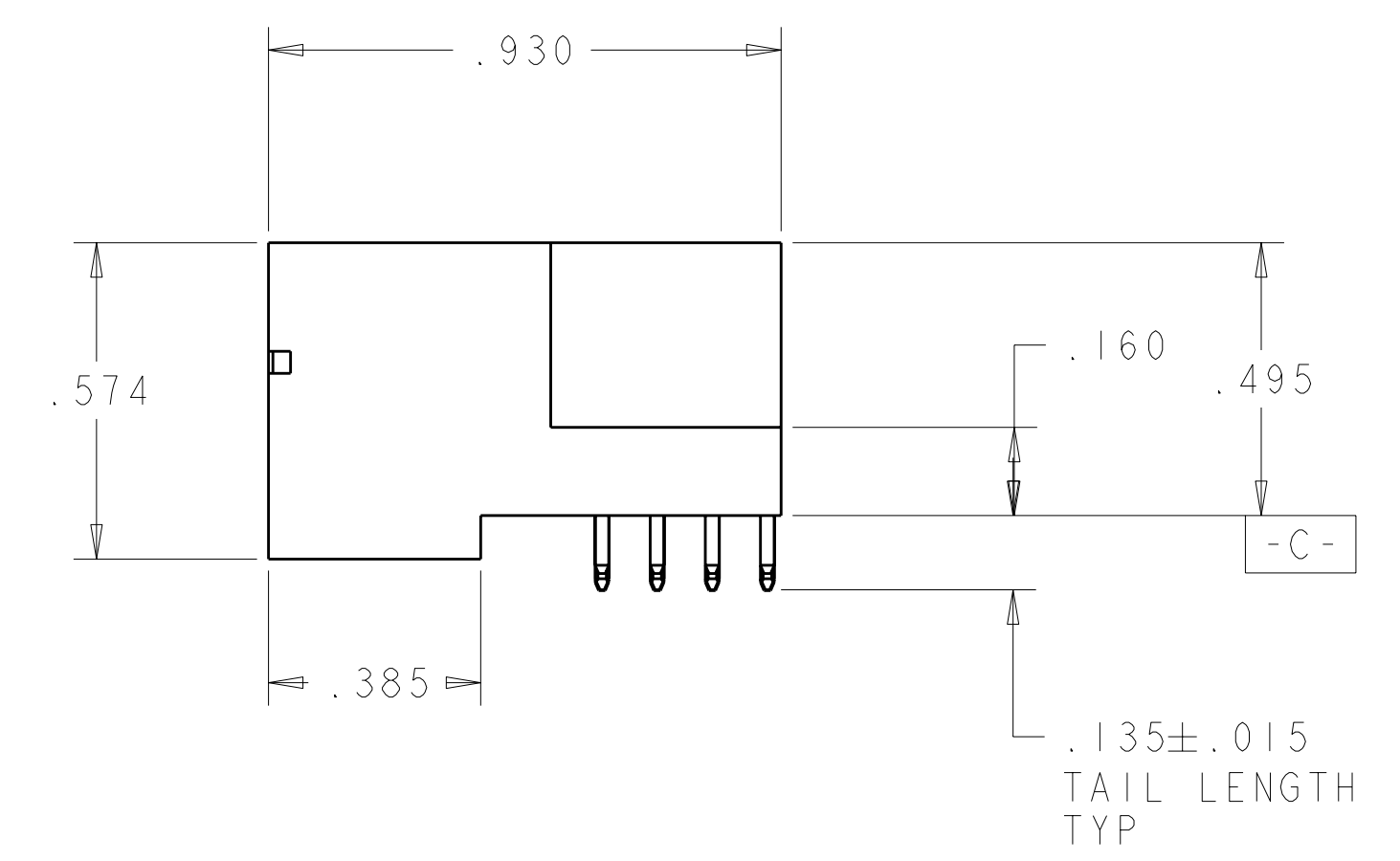
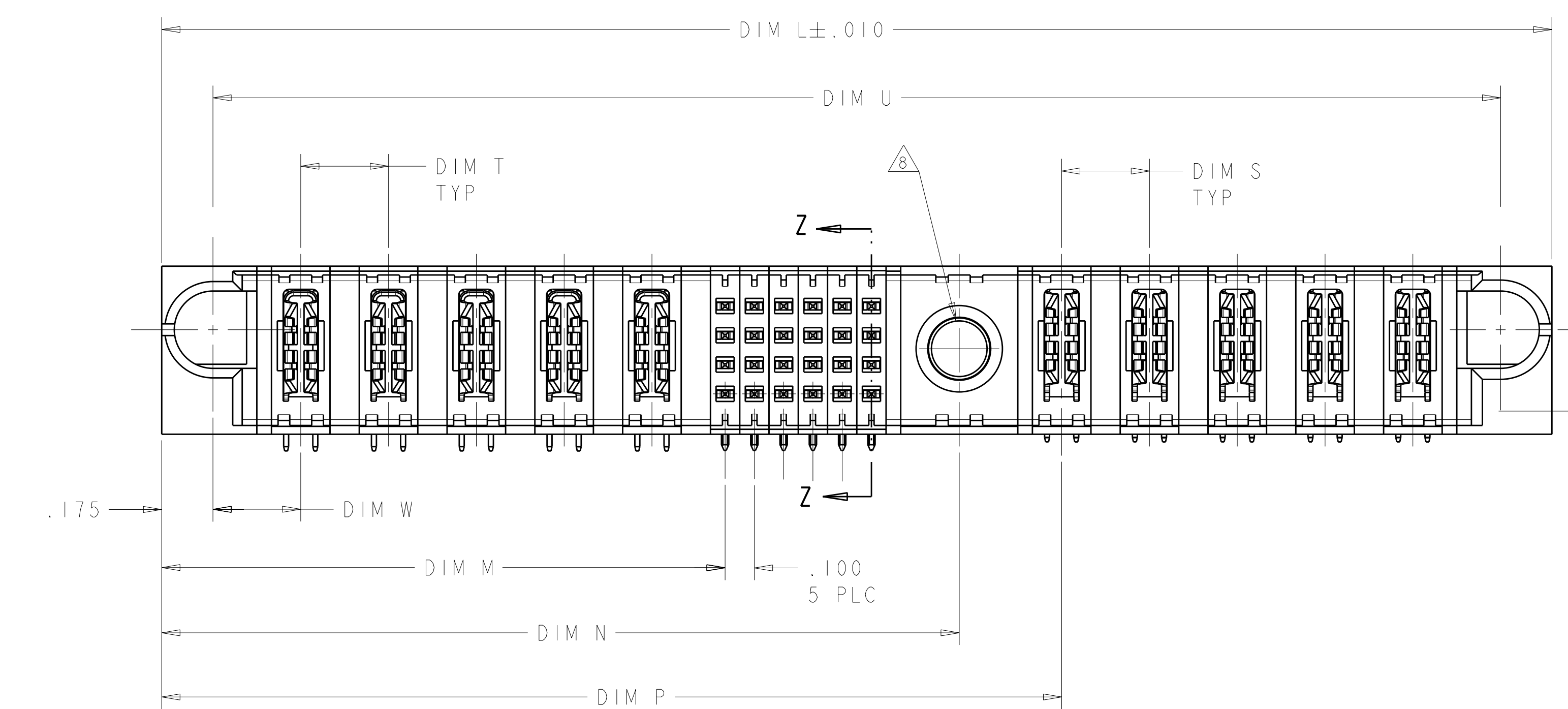


| LOC | DIST | REVISIONS | | | | | |
|-----|------|-----------|-----|-----------------------|-----------|-----|------|
| ES | 00 | P | LTR | DESCRIPTION | DATE | DWN | APVD |
| | | 1 | | PROPOSAL DESIGN | 30MAR2006 | SZ | SY |
| | | 2 | | REV PER ECR-06-010449 | 05APR2006 | SZ | SY |
| | | 3 | | REV PER ECR-07-008745 | 30JAN2007 | SZ | SY |



- 1 "AMP" PART NUMBER, AND DATECODE TO BE MARKED IN AREA SHOWN. PARTS UNDER 2.00 LONG AMY BE MARKED ON BOTH SIDES.
- 2 MATERIAL: HOUSING, GLASS FILLED HIGH TEMP THERMO PLASTIC, UL94 V-0
 SIGNAL CONTACT - COPPER ALLOY
 POWER CONTACT - HIGH CONDUCTIVITY COPPER ALLOY
- 3 CONTACTS PLATING: SIGNAL CONTACTS - .000050 MIN Ni UNDER ALL.
 .000030 MIN Au ON CONTACT AREA.
 .000100 MIN Sn AT PCB INTERFACE.
 POWER CONTACTS - .000050 MIN Ni UNDER ALL.
 .000030 MIN Au ON CONTACT AREA.
 .000100 MIN Sn AT PCB INTERFACE.
- 4 MECHANICAL CONNECTOR KEEP OUT ZONE.
- 5 DATUM AND BASIC DIMENSIONS ESTABLISHED BY CUSTOMER.
- 6 PCB - HOLE DIAMETER ARE FINISHED HOLE SIZE.
- 7 PCB - .0453±.0010 DRILLED HOLES PLATED WITH .0003 MIN Sn OVER .001 TO .003 Cu PLATING TO ACHIEVE .040 DIA HOLE.
- 8 COAXIAL CONNECTOR LOCATION WHICH WOULD BE LOADED BY CUSTOMER.

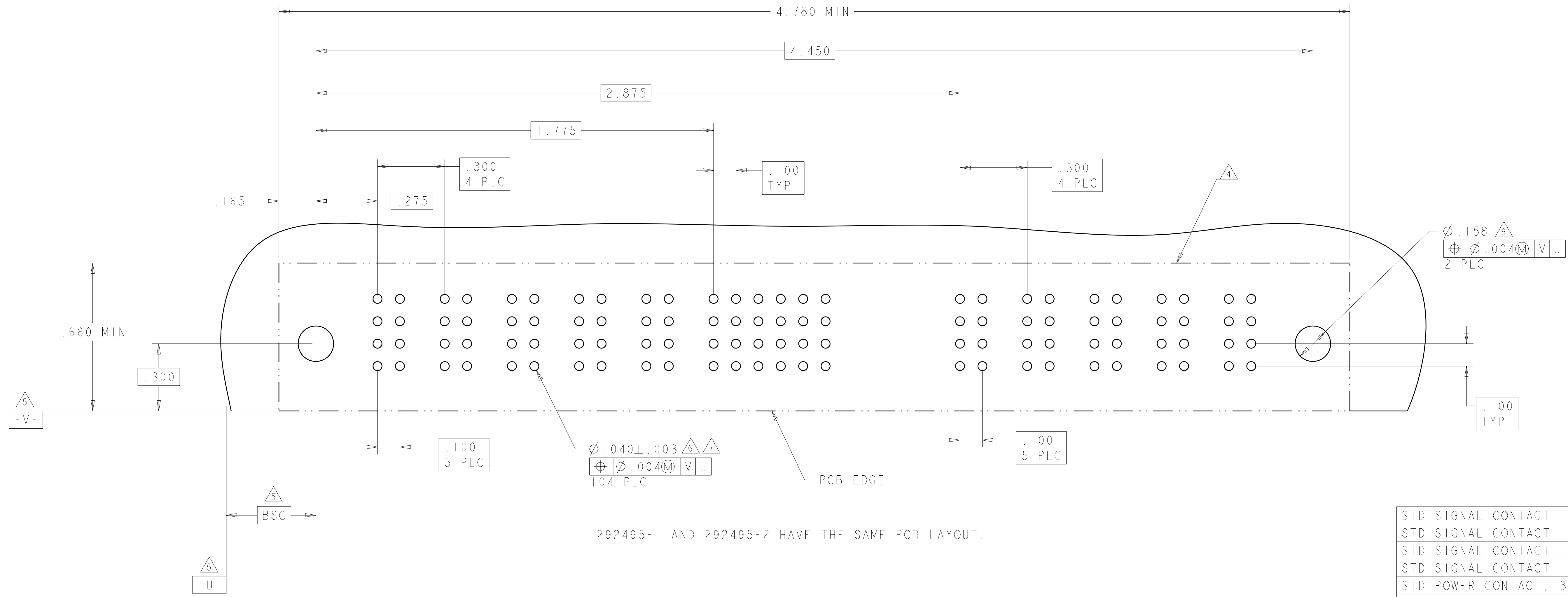
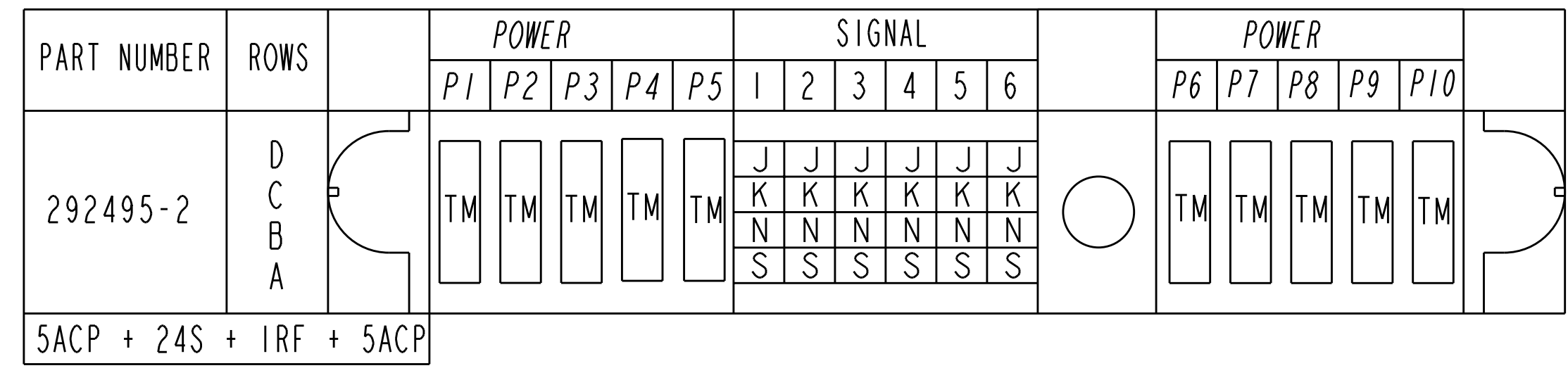
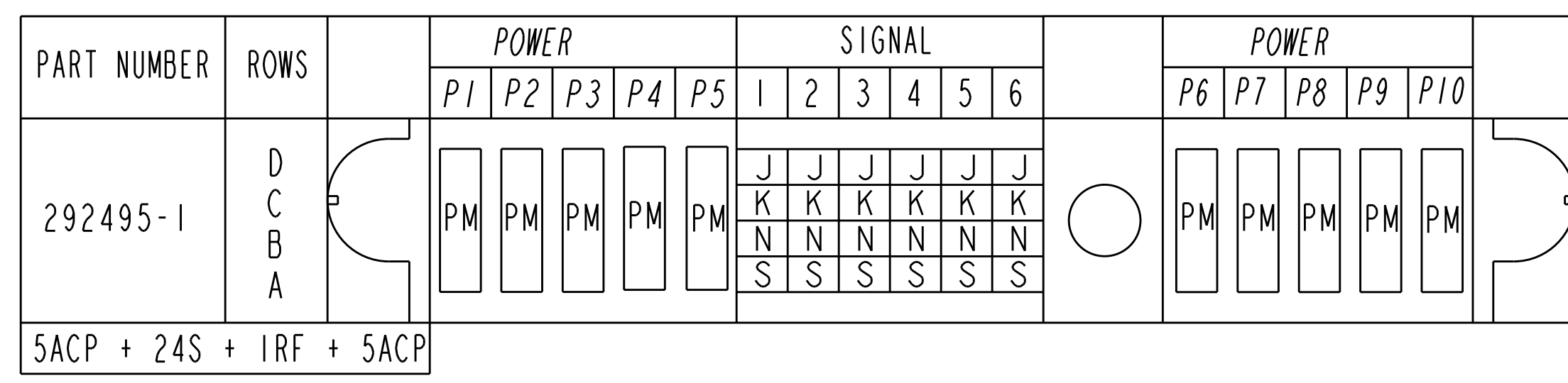


| 4.450 | 3.075 | 2.725 | 1.925 | 4.400 | 4.750 | .300 | .300 | .300 | 5P + 24S + IRF + 5P | 292495-2 |
|-------|-------|-------|-------|-------|-------|-------|-------|-------|---------------------|-------------|
| 4.450 | 3.075 | 2.725 | 1.925 | 4.400 | 4.750 | .300 | .300 | .300 | 5P + 24S + IRF + 5P | 292495-1 |
| DIM Q | DIM P | DIM N | DIM M | DIM U | DIM L | DIM S | DIM T | DIM W | DESCRIPTION | PART NUMBER |

| | | | | | | | |
|---------------------------|--|---|--|--|--|--|--|
| DIMENSIONS: INCHES | | TOLERANCES UNLESS OTHERWISE SPECIFIED: 9 PLC ±. 1 PLC ±.01 3 PLC ±.01 4 PLC ±.005 5 PLC ±.002 ANGLES ±.0° | | DWN S. ZHAO 22MAR2006 CHK M. PERCHEKE APVD S. YAO | | tyco Electronics Tyco Electronics Incorporated Shanghai, P.R.China, 200233 | |
| MATERIAL: | | FINISH: | | NAME: RIGHT ANGLE SOLDER HEADER ASSEMBLY MULTI-BEAM XL W/ COAX | | SIZE: CAGE CODE DRAWING NO: A100779C=292495 | |
| CUSTOMER DRAWING | | | | WEIGHT: | | RESTRICTED TO: | |
| SCALE: 5:1 | | | | SHEET: 1 OF 2 | | REV: 3 | |

| LOC | DIST | REV | DATE | BY | APPD |
|-----|------|-----|------|----|------|
| ES | 00 | - | - | - | - |

| REV | DESCRIPTION | DATE | BY | APPD |
|-----|-------------|------|----|------|
| - | SEE SHEET 1 | - | - | - |



| | | | |
|---|---|---|--|
| <small>THIS DRAWING IS UNPUBLISHED. RELEASED FOR PUBLICATION. BY TYCO ELECTRONICS CORPORATION, ALL RIGHTS RESERVED.</small> | | DWN: S. ZHAO 22MAR2006 CHK: M. PERCHEKE 22MAR2006 APVD: S. YAO | tyco Electronics Tyco Electronics Incorporated Shanghai, P.R.China, 200233 |
| DIMENSIONS: INCHES | TOLERANCES UNLESS OTHERWISE SPECIFIED: 0 PLC ±. 1 PLC ±.01 2 PLC ±.01 3 PLC ±.005 4 PLC ±.002 ANGLES ±.02 | NAME: S. YAO PRODUCT SPEC: 108-1973 APPLICATION SPEC: 114-13038 WEIGHT: - FINISH: - | SIZE: A100779 CAGE CODE: C=292495 SCALE: 5:1 SHEET: 2 OF 2 REV: 3 |