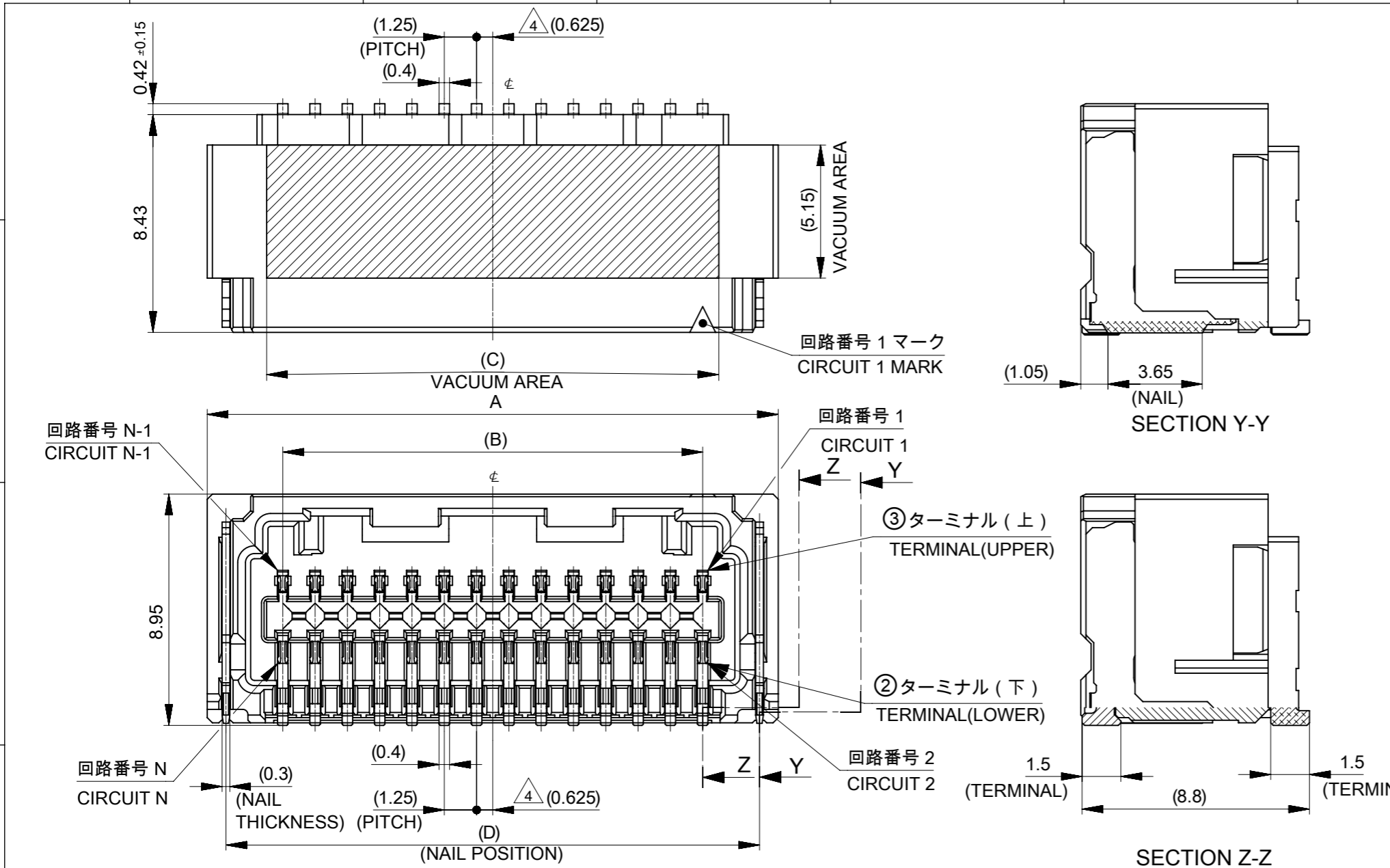


注記 NOTES

- ① 材料及び仕上げ (めっき仕様) : TABLE 1, TABLE2 参照  
MATERIAL AND FINISHES (PLATING SPECIFICATION) : SEE TABLE 1, TABLE2.
- ② 嵌合相手 : 505432シリーズ  
MATE WITH : 505432 SERIES
- ③ 端子テール部 及び ネイルの平坦度 : 0.12MAXIMUM.  
TAIL AND NAIL COPLANARITY TO BE 0.12 MAXIMUM.
- ④ 極数 / 2 = 偶数に適用。  
APPLY FOR CIRCUIT SIZE / 2 = EVEN.
- ⑤ コネクタの仕様につきましては、  
製品仕様書(5054320000PS002)を参照して下さい。  
PLEASE REFER TO THE PRODUCT SPECIFICATION  
(5054320000PS002) ABOUT THE SPECIFICATION  
OF THE CONNECTOR.
- ⑥ 発注番号 : SHEET 3 参照  
ORDER No. : PLEASE REFER TO SHEET 3 FOR PRODUCT LIST

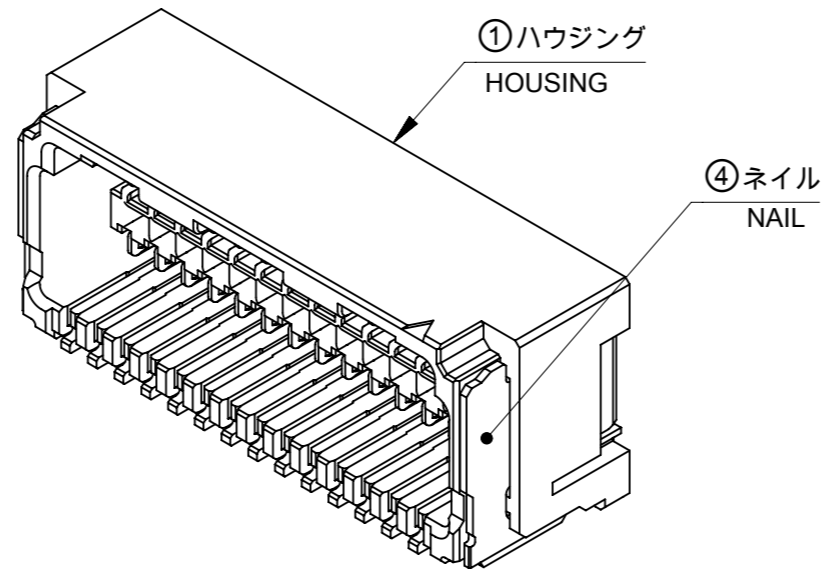
極数 CIRCUIT SIZE		505448 **7*	
NO.	ハウジングカラー HOUSING COLOR		
0	ナチュラル (ベージュ) NATURAL (BEIGE)		
1	黒 BLACK		
2	赤 RED		
4	青 BLUE		
6	緑 GREEN		

49.4	45.4	20.2	44	29.4	26.25	25	30.85	42
				28.15	25	23.75	29.6	40
				26.9	23.75	22.5	28.35	38
				25.65	22.5	21.25	27.1	36
				24.4	21.25	20	25.85	34
				23.15	20	18.75	24.6	32
				21.9	18.75	17.5	23.35	30
37.4	33.4	14.2	32	20.65	17.5	16.25	22.1	28
				19.4	16.25	15	20.85	26
				18.15	15	13.75	19.6	24
				16.9	13.75	12.5	18.35	22
				15.65	12.5	11.25	17.1	20
29.4	25.4	11.5	24	14.4	11.25	10	15.85	18
				13.15	10	8.75	14.6	16
				11.9	8.75	7.5	13.35	14
				10.65	7.5	6.25	12.1	12
H	G	F	E	9.4	6.25	5	10.85	10
				8.15	5	3.75	9.6	8
				D	C	B	A	極数 CIRCUIT SIZE



① TABLE 1

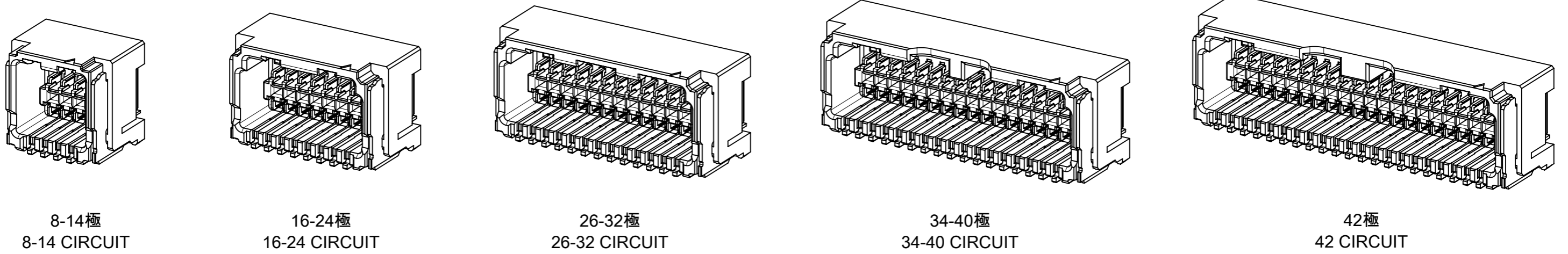
番号 NO.	部品 PART	材質 MATERIAL
①	ハウジング HOUSING	POLYAMIDE(PA) UL94V-0 色 : 注記6参照 POLYAMIDE(PA) UL94V-0 COLOR : SEE NOTE6.
②	ターミナル 及び ネイル TERMINAL AND NAIL	黄銅 BRASS 錫ビスマスめっき : 1.0 micro-meter MINIMUM. MATTE TIN-BISMUTH PLATING ニッケルめっき (下地) : 1.0 micro-meter MINIMUM. NICKEL (UNDER PLATING)



THIS DRAWING CONTAINS INFORMATION THAT IS PROPRIETARY TO MOLEX ELECTRONIC TECHNOLOGIES, LLC AND SHOULD NOT BE USED WITHOUT WRITTEN PERMISSION

DIMENSION UNITS mm	SCALE NTS	CURRENT REV DESC:		<b>molex</b>			
GENERAL TOLERANCES (UNLESS SPECIFIED)		EC NO: 620885					MICRO-LOCK PLUS 1.25 W/B DUAL ROW RA SMT EMBOSSED TAPE PKG
ANGULAR TOL	± 3.0°	DRWN: TAKAIKE	2019/07/26	PRODUCT CUSTOMER DRAWING			
4 PLACES	± 0.2	CHK'D: SAKIYAMA	2019/07/29	DOCUMENT NUMBER			
3 PLACES	± 0.2	APPR: KOMURAKAMI	2019/07/31	DOC TYPE			
2 PLACES	± 0.2	INITIAL REVISION:		DOC PART			
1 PLACE	± 0.2	DRWN: TAKAIKE		REVISION			
0 PLACES	± 0.2	APPR: TKANEKO		5054480000			
DRAFT WHERE APPLICABLE MUST REMAIN WITHIN DIMENSIONS		THIRD ANGLE PROJECTION	DRAWING	SERIES	MATERIAL NUMBER	CUSTOMER	SHEET NUMBER
			A3-SIZE	505448	SEE SHEET 3	GENERAL	1 OF 3

製品形状  
PRODUCT SHAPE



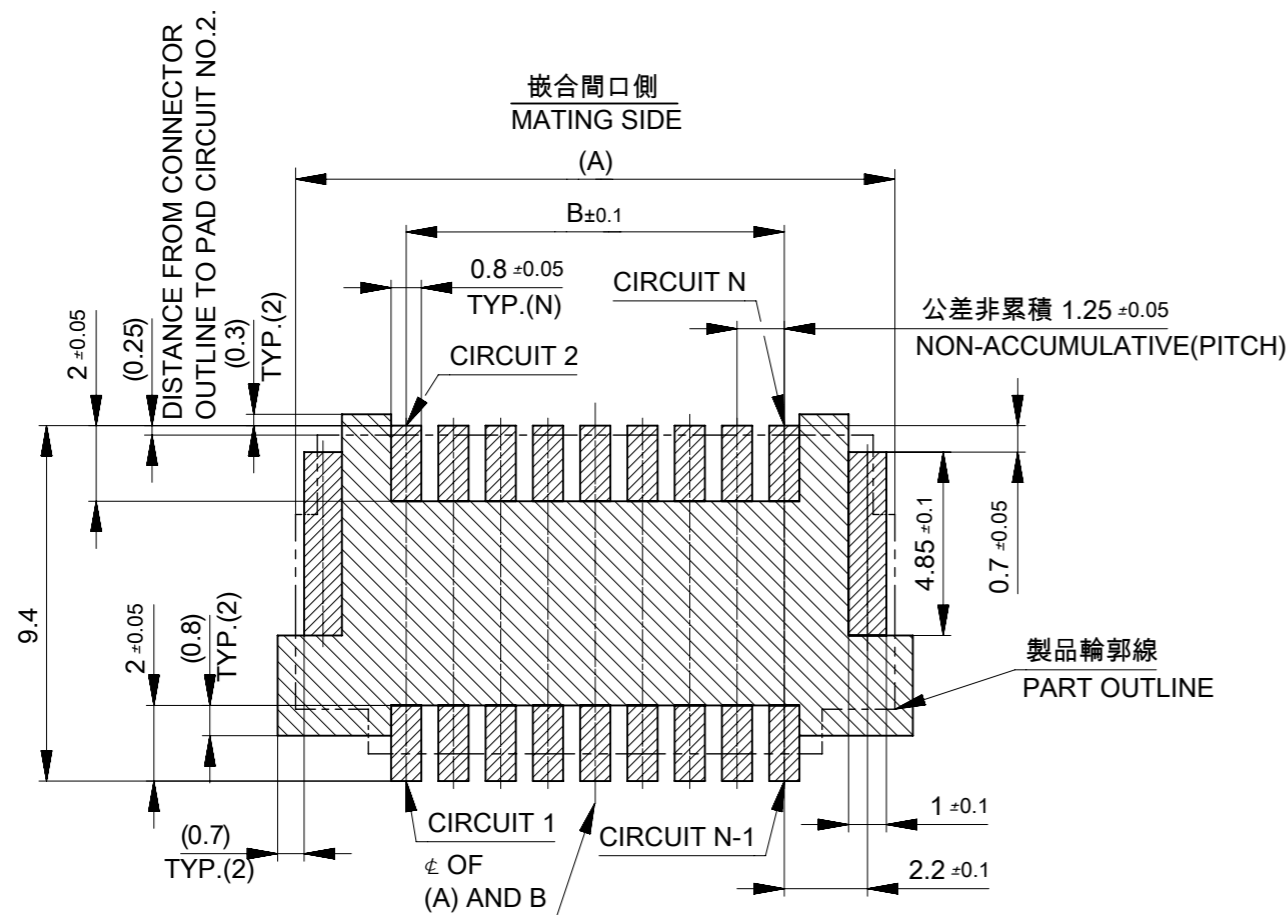
8-14極  
8-14 CIRCUIT

16-24極  
16-24 CIRCUIT

26-32極  
26-32 CIRCUIT

34-40極  
34-40 CIRCUIT

42極  
42 CIRCUIT

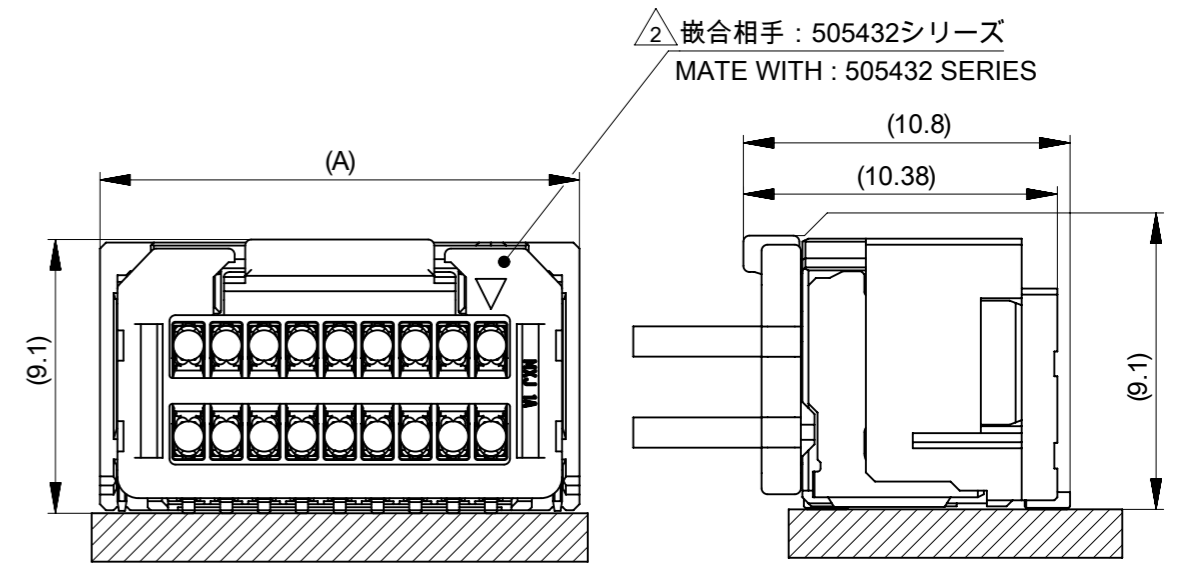


基板パターンレイアウト (参考)  
(参考 : 基板厚 1.6mm, メタルマスク厚さ 0.15mm, マスク開口率 100%)

RECOMMEND PWB LAYOUT : COMPONENT SIDE  
(REFERENCE : PWB THICKNESS 1.6mm, STENCIL THICKNESS 0.15mm, APERTURE RATIO 100%)

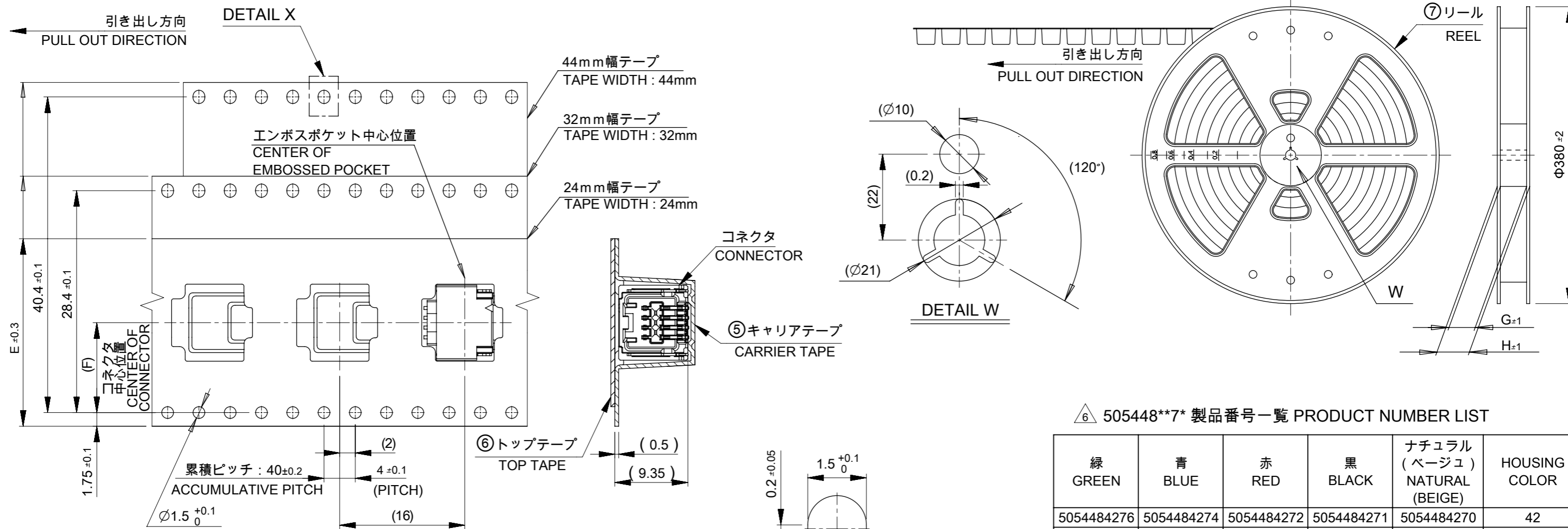
パターン非推奨エリア  
パターンを引き回す際は、製品機能に影響がないことをご確認ください。  
PATTERN IS NOT RECOMMENDED ON THE HATCHING AREA  
PLEASE CHECK NOT TO HAVE PROBLEM FOR PRODUCT FUNCTION  
WHEN SETTING PATTERN ON THE HATCHING AREA.

嵌合状態図  
MATED CONNECTORS



THIS DRAWING CONTAINS INFORMATION THAT IS PROPRIETARY TO MOLEX ELECTRONIC TECHNOLOGIES, LLC AND SHOULD NOT BE USED WITHOUT WRITTEN PERMISSION		CURRENT REV DESC:		<b>molex</b>		
DIMENSION UNITS	SCALE					
mm	NTS			PRODUCT CUSTOMER DRAWING		
GENERAL TOLERANCES (UNLESS SPECIFIED)		EC NO: 620885		DOCUMENT NUMBER		
ANGULAR TOL ± 3.0°		DRWN: TAKAIKE 2019/07/26		5054480000		
4 PLACES ± 0.2		CHK'D: SAKIYAMA 2019/07/29		DOC TYPE DOC PART REVISION		
3 PLACES ± 0.2		APPR: KOMURAKAMI 2019/07/31		PSD 000 B		
2 PLACES ± 0.2		INITIAL REVISION:		MATERIAL NUMBER		
1 PLACE ± 0.2		DRWN: TAKAIKE 2017/01/18		CUSTOMER		
0 PLACES ± 0.2		APPR: TKANEKO 2017/04/03		GENERAL		
DRAFT WHERE APPLICABLE MUST REMAIN WITHIN DIMENSIONS		THIRD ANGLE PROJECTION	DRAWING	SERIES	MATERIAL NUMBER	SHEET NUMBER
			A3-SIZE	505448	SEE SHEET 3	2 OF 3

10 9 8 7 6 5 4 3 2 1



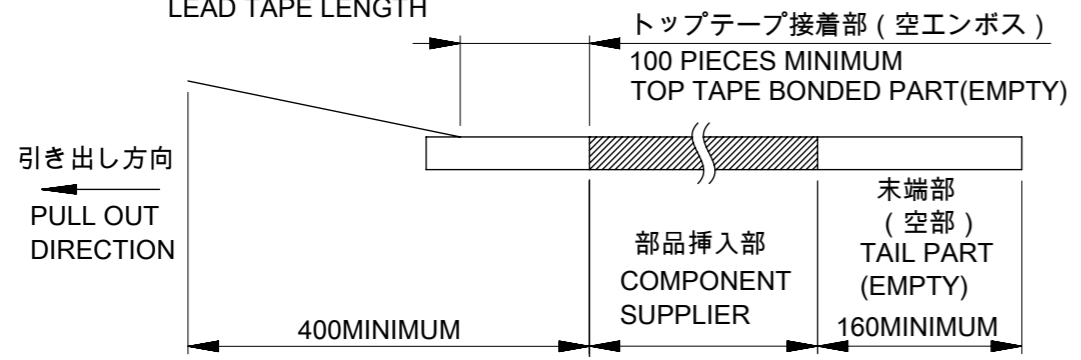
△ 505448\*\*7\* 製品番号一覧 PRODUCT NUMBER LIST

緑 GREEN	青 BLUE	赤 RED	黒 BLACK	ナチュラル (ベージュ) NATURAL (BEIGE)	HOUSING COLOR
5054484276	5054484274	5054484272	5054484271	5054484270	42
5054484076	5054484074	5054484072	5054484071	5054484070	40
5054483876	5054483874	5054483872	5054483871	5054483870	38
5054483676	5054483674	5054483672	5054483671	5054483670	36
5054483476	5054483474	5054483472	5054483471	5054483470	34
5054483276	5054483274	5054483272	5054483271	5054483270	32
5054483076	5054483074	5054483072	5054483071	5054483070	30
5054482876	5054482874	5054482872	5054482871	5054482870	28
5054482676	5054482674	5054482672	5054482671	5054482670	26
5054482476	5054482474	5054482472	5054482471	5054482470	24
5054482276	5054482274	5054482272	5054482271	5054482270	22
5054482076	5054482074	5054482072	5054482071	5054482070	20
5054481876	5054481874	5054481872	5054481871	5054481870	18
5054481676	5054481674	5054481672	5054481671	5054481670	16
5054481476	5054481474	5054481472	5054481471	5054481470	14
5054481276	5054481274	5054481272	5054481271	5054481270	12
5054481076	5054481074	5054481072	5054481071	5054481070	10
5054480876	5054480874	5054480872	5054480871	5054480870	8

発注番号 ORDER NO.  
梱包形態：キャリアテープ梱包  
PACKAGING STYLE : CARRIER TAPE AND REEL  
極数  
CIRCUIT SIZE

注記 NOTES

- 7. 梱包数量 : 500個  
NUMBER OF CONNECTORS : 500 PIECES/REEL.
- 8. 梱包仕様書 : 5054489200 PS 200  
PACKING SPECIFICATION : 5054489200 PS 200
- 9. リードテープ長さ  
LEAD TAPE LENGTH



10. トップテープの剥離強度については、IEC60286-3に準拠  
TOP TAPE PEEL FORCE IS DEFINED BY IEC60286-3.

△ TABLE 2

番号 NO.	部品 PART	材質 MATERIAL
⑤	キャリアテープ CARRIER TAPE	ポリスチレン(PS) POLYSTYRENE(PS)
⑥	トップテープ TOP TAPE	ポリエチレン(PE)、その他 POLYETHYLENE(PE), OTHER
⑦	リール REEL	ポリスチレン(PS) <リサイクル材を含む> POLYSTYRENE(PS) <RECYCLE MATERIRAL CONTAINED >

DOCUMENT STATUS P1 RELEASE DATE 2019/07/31 10:52:38

THIS DRAWING CONTAINS INFORMATION THAT IS PROPRIETARY TO MOLEX ELECTRONIC TECHNOLOGIES, LLC AND SHOULD NOT BE USED WITHOUT WRITTEN PERMISSION

DIMENSION UNITS: mm SCALE: NTS

CURRENT REV DESC:

**molex**

MICRO-LOCK PLUS 1.25 W/B  
DUAL ROW RA SMT EMBOSSED TAPE PKG

PRODUCT CUSTOMER DRAWING

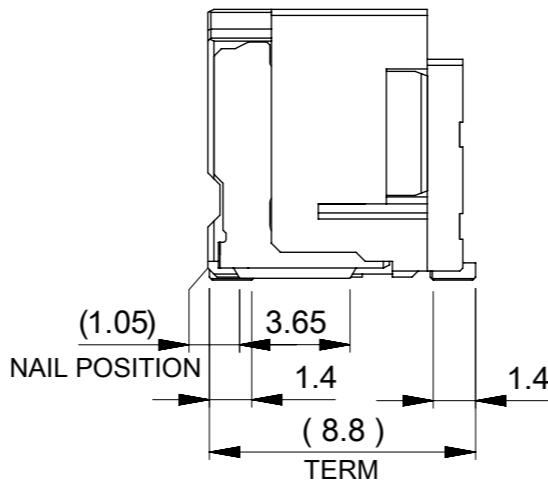
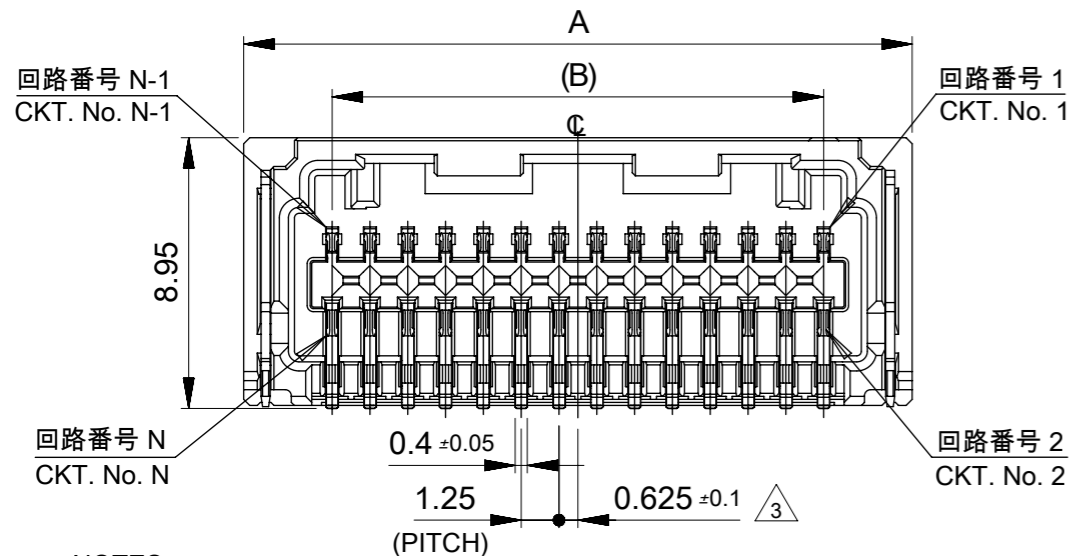
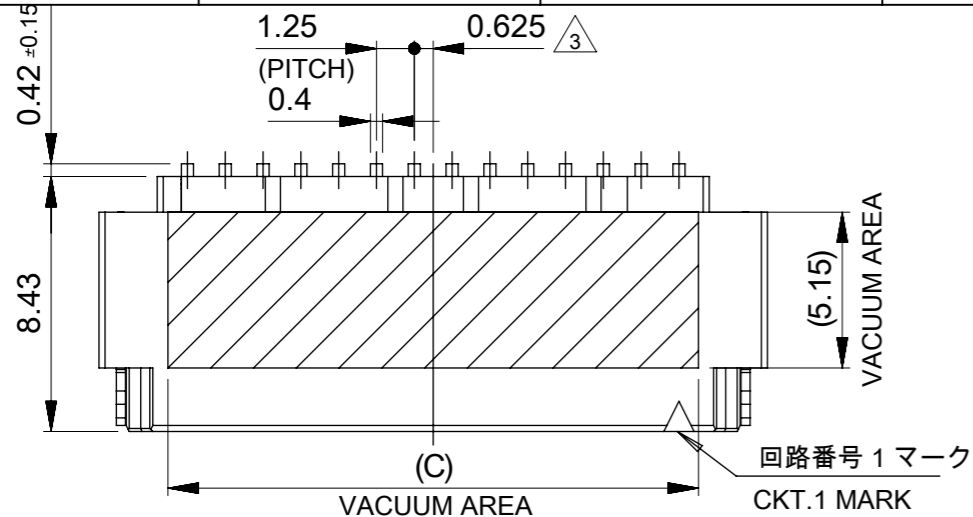
DOCUMENT NUMBER: 5054480000 DOC TYPE: PSD DOC PART: 000 REVISION: B

DRAFT WHERE APPLICABLE MUST REMAIN WITHIN DIMENSIONS

THIRD ANGLE PROJECTION

DRAWING: A3-SIZE SERIES: 505448 MATERIAL NUMBER: SEE SHEET 3 CUSTOMER: GENERAL SHEET NUMBER: 3 OF 3

10 9 8 7 6 5 4 3 2 1



NOTES

1. 嵌合相手 : 505432\*\*0\*  
MATE WITH : 505432\*\*0\*
2. 端子テール部 及び ネイルの平坦度 : 0.12MAX.  
TAIL AND NAIL COPLANARITY TO BE 0.12 MAX.
3. 極数 / 2 = 偶数に適用。  
APPLY FOR CKT. SIZE / 2 = EVEN.
4. 端子テール部に錫めつきを使用しているため、  
外観に摺動痕が付く場合が御座います。  
THE WOUND OF FRICTION MIGHT ADHERE TO EXTERNALS  
BECAUSE THE TIN PLATING IS USED FOR THE TAIL.
5. 本製品のプラスチック部に黒点等が確認される場合や  
色合いが異なる場合がありますが、製品性能に影響はありません。  
THERE IS NO INFLUENCE IN THE PRODUCT PERFORMANCE THOUGH  
THE BLACK SPOT ETC. MIGHT BE CONFIRMED TO THE PLASTIC PART  
OF THIS PRODUCT AND THE SHADE MIGHT BE DIFFERENT.
6. コネクタの詳細な取り扱いにつきましては、  
アプリケーション仕様書(AS-505432-001, -002)を参照して下さい。  
PLEASE REFER TO THE APPLICATION SPECIFICATION (AS-505432-001, -002)  
ABOUT THE DETAILED HANDLING OF THE CONNECTOR.
7. コネクタの仕様につきましては、  
製品仕様書(5054320000PS002)を参照して下さい。  
PLEASE REFER TO THE PRODUCT SPECIFICATION  
(5054320000PS002)ABOUT THE SPECIFICATION  
OF THE CONNECTOR.

8. オーダー番号と極数、色の関係  
RELATION ORDER NUMBER AND COLOR, CKT.

505448**7*	NO.	COLOR
↑	0	NATURAL
↑	1	BLACK
↑	2	RED
↑	4	BLUE
↑	6	GREEN

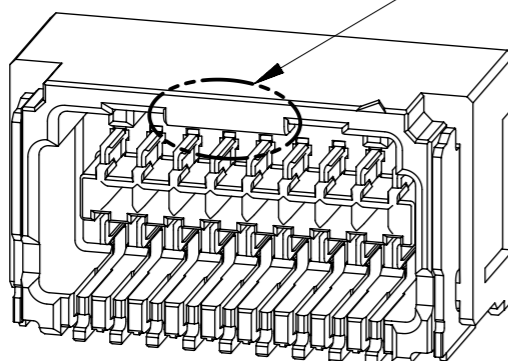
			HSG COLOR GREEN	HSG COLOR BLUE	HSG COLOR RED	HSG COLOR BLACK	HSG COLOR NATURAL		
26.25	25	30.85	5054484276	5054484274	5054484272	5054484271	5054484270	42	
25	23.75	29.6	5054484076	5054484074	5054484072	5054484071	5054484070	40	
23.75	22.5	28.35	5054483876	5054483874	5054483872	5054483871	5054483870	38	
22.5	21.25	27.1	5054483676	5054483674	5054483672	5054483671	5054483670	36	
21.25	20	25.85	5054483476	5054483474	5054483472	5054483471	5054483470	34	
20	18.75	24.6	5054483276	5054483274	5054483272	5054483271	5054483270	32	
18.75	17.5	23.35	5054483076	5054483074	5054483072	5054483071	5054483070	30	
17.5	16.25	22.1	5054482876	5054482874	5054482872	5054482871	5054482870	28	
16.25	15	20.85	5054482676	5054482674	5054482672	5054482671	5054482670	26	
15	13.75	19.6	5054482476	5054482474	5054482472	5054482471	5054482470	24	
13.75	12.5	18.35	5054482276	5054482274	5054482272	5054482271	5054482270	22	
12.5	11.25	17.1	5054482076	5054482074	5054482072	5054482071	5054482070	20	
11.25	10	15.85	5054481876	5054481874	5054481872	5054481871	5054481870	18	
10	8.75	14.6	5054481676	5054481674	5054481672	5054481671	5054481670	16	
8.75	7.5	13.35	5054481476	5054481474	5054481472	5054481471	5054481470	14	
7.5	6.25	12.1	5054481276	5054481274	5054481272	5054481271	5054481270	12	
6.25	5.0	10.85	5054481076	5054481074	5054481072	5054481071	5054481070	10	
5	3.75	9.6	5054480876	5054480874	5054480872	5054480871	5054480870	8	
C	B	A	エンボス梱包 EMBOSSED TAPE PACKAGE	エンボス梱包 EMBOSSED TAPE PACKAGE	エンボス梱包 EMBOSSED TAPE PACKAGE	エンボス梱包 EMBOSSED TAPE PACKAGE	エンボス梱包 EMBOSSED TAPE PACKAGE	エンボス梱包 EMBOSSED TAPE PACKAGE	極数
			オーダー番号 ORDER NO.	オーダー番号 ORDER NO.	オーダー番号 ORDER NO.	オーダー番号 ORDER NO.	オーダー番号 ORDER NO.	オーダー番号 ORDER NO.	CKT. NO

部品 PART	材質 MATERIAL
ハウジング HOUSING	POLYAMIDE(PA) UL94V-0 色 : 表参照 POLYAMIDE(PA) UL94V-0 COLOR : SEE CHART
ターミナル 及び ネイル TERM AND NAIL	黄銅 BRASS 錫ビスマスめつき : 1.0 micro-meter MIN. TIN-BISMUTH PLATED ニッケルめつき (下地) : 1.0 micro-meter MIN. NICKEL (UNDER PLATING)

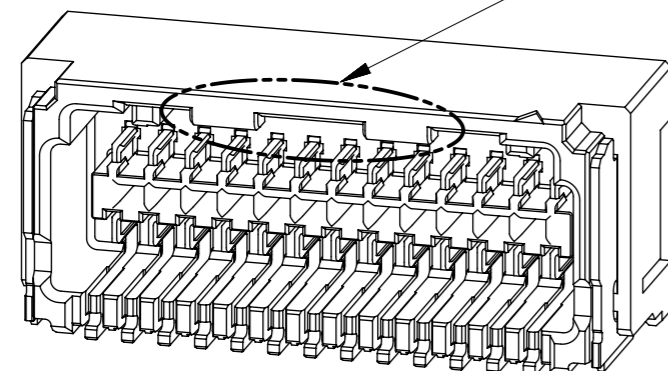
THIS DRAWING CONTAINS INFORMATION THAT IS PROPRIETARY TO MOLEX ELECTRONIC TECHNOLOGIES, LLC AND SHOULD NOT BE USED WITHOUT WRITTEN PERMISSION

RELEASED EC NO: 112331 DRWN: TAKAIKE CHK'D: KOMURAKAMI REV APPR: TKANEKO	GENERAL TOLERANCES (UNLESS SPECIFIED)		DIMENSION UNITS	SCALE		
	ANGULAR TOL ± 3.0 °		MM	4:1		
	4 PLACES ± 0.2	3 PLACES ± 0.2	DRWN BY	DATE		
	2 PLACES ± 0.2	1 PLACE ± 0.2	TAKAIKE	2017/02/10		
0 PLACES ± 0.2		CHK'D BY	DATE	MICRO-LOCK PLUS 1.25 W/B DUAL ROW RA SMT PLUG ASSY		
		KOMURAKAMI	2017/03/30	PRODUCT CUSTOMER DRAWING		
		APPR BY	DATE	SERIES MATERIAL NUMBER CUSTOMER		
		TKANEKO	2017/04/03	505448	SEE TABLE	GENERAL
		DRAFT WHERE APPLICABLE MUST REMAIN WITHIN DIMENSIONS	DRAWING SIZE	THIRD ANGLE PROJECTION	DOCUMENT NUMBER DOC TYPE DOC PART SHEET NUMBER	
A			A3		5054480001	PSD 000 1 OF 2

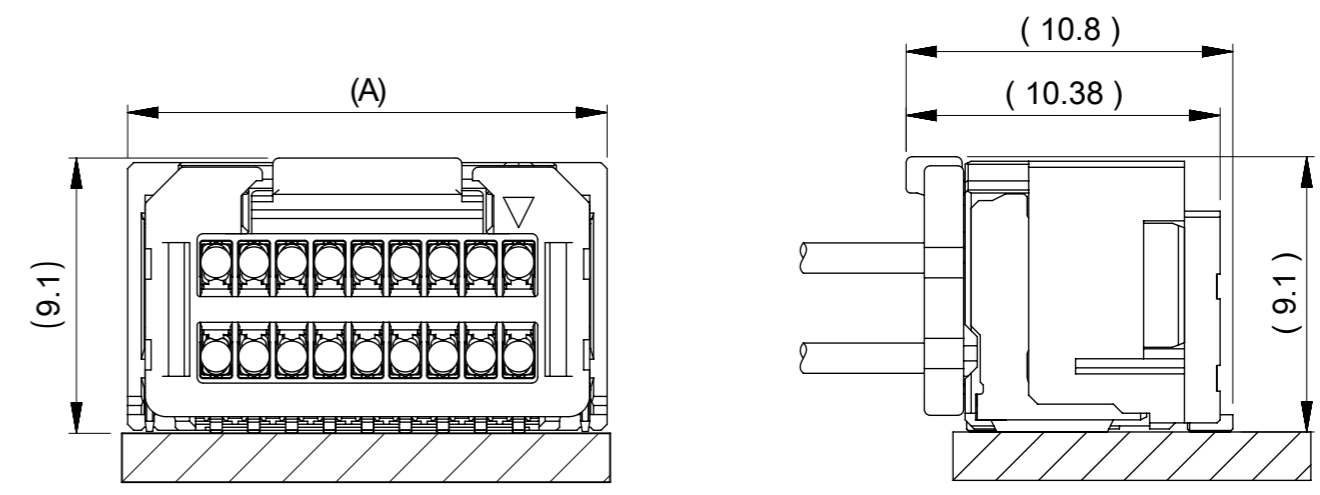
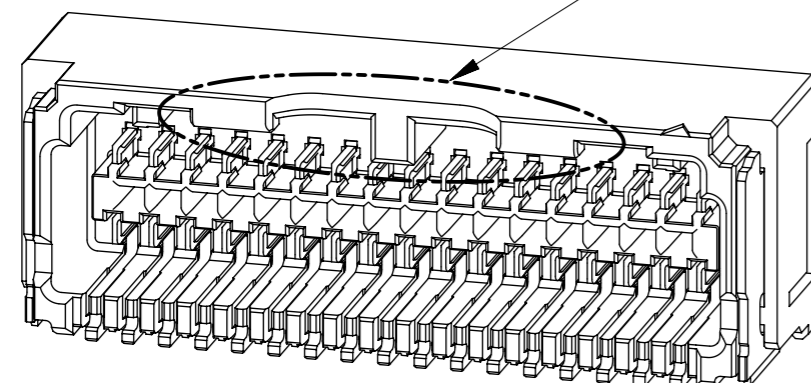
8-24CKT. 係止形状  
LOCK SHAPE OF 8-24CKT.



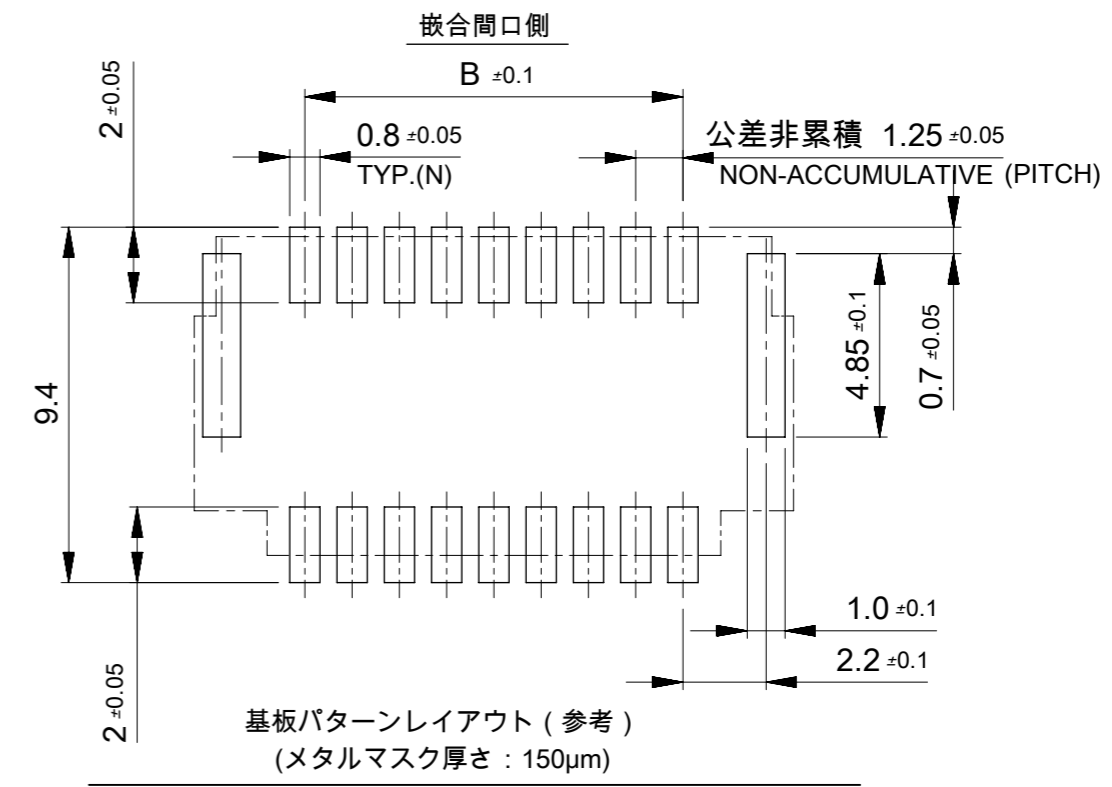
26-32CKT. 係止形状  
LOCK SHAPE OF 26-32CKT.



34-42CKT. 係止形状  
LOCK SHAPE OF 34-42CKT.



嵌合状態図  
MATED CONNECTORS



基板パターンレイアウト (参考)  
(メタルマスク厚さ : 150μm)  
RECCOMENDED P.C.B. PATTERN LAYOUT (REF.)  
(METAL MASK THICKNESS : 150μm)

THIS DRAWING CONTAINS INFORMATION THAT IS PROPRIETARY TO MOLEX ELECTRONIC TECHNOLOGIES, LLC AND SHOULD NOT BE USED WITHOUT WRITTEN PERMISSION											
RELEASED	EC NO. 112331	DRWN: TAKAIKE	2017/02/10	GENERAL TOLERANCES (UNLESS SPECIFIED)		DIMENSION UNITS	SCALE	<b>molex</b> <sup>®</sup>			
	CHK'D: KOMURAKAMI	2017/03/30	2017/02/10	ANGULAR TOL ± 3.0 °		MM	4:1				
	APPR: TKANEKO	2017/04/03	2017/03/30	4 PLACES ± 0.2	3 PLACES ± 0.2	DRWN BY	DATE	MICRO-LOCK PLUS 1.25 W/B DUAL ROW RA SMT PLUG ASSY			
			2017/04/03	2 PLACES ± 0.2	1 PLACE ± 0.2	CHK'D BY	DATE				
				0 PLACES ± 0.2		APPR BY	DATE	PRODUCT CUSTOMER DRAWING			
					TKANEKO	2017/04/03					
					DRAFT WHERE APPLICABLE MUST REMAIN WITHIN DIMENSIONS	DRAWING SIZE	THIRD ANGLE PROJECTION	SERIES	MATERIAL NUMBER	CUSTOMER	
						A3		505448	SEE TABLE	GENERAL	
								DOCUMENT NUMBER	DOC TYPE	DOC PART	SHEET NUMBER
								5054480001	PSD	000	2 OF 2