

Type 2 surge protection device - VAL-MS 320/1+1-FM - 2804393

Please be informed that the data shown in this PDF Document is generated from our Online Catalog. Please find the complete data in the user's documentation. Our General Terms of Use for Downloads are valid (<http://phoenixcontact.com/download>)



Surge arrester for 3-conductor power supply systems (L1, N, PE), consisting of a base element with remote indication contact and protective connectors, for mounting on NS 35.

Product Features

- With or without floating remote indication contact
- Mechanical coding of all slots
- Disconnect device on each individual plug
- Optical, mechanical status indication for the individual arresters
- Type 2 consistent plug-in surge arresters
- Multi-channel type 2 arresters



Key commercial data

Packing unit	1 pc
Weight per Piece (excluding packing)	233.5 GRM
Custom tariff number	85363010
Country of origin	Germany

Technical data

Dimensions

Height	97 mm
Width	35.6 mm
Depth	58 mm
Horizontal pitch	2 Div.

Ambient conditions

Degree of protection	IP20 (only when all terminal points are used)
----------------------	---

Type 2 surge protection device - VAL-MS 320/1+1-FM - 2804393

Technical data

Ambient conditions

Ambient temperature (operation)	-40 °C ... 80 °C
Ambient temperature (storage/transport)	-40 °C ... 80 °C
Altitude	≤ 2000 m (amsl (above mean sea level))
Permissible humidity (operation)	5 % ... 95 %
Shock (operation)	25g
Vibration (operation)	5g

General

Standards/specifications	IEC 61643-11 2011
	EN 61643-11 2012
IEC test classification	II
	T2
EN type	T2
Number of ports	One
SPD design	Combination type
Mode of protection	L-N
	L-PE
	N-PE
Mounting type	DIN rail: 35 mm
Color	black
Housing material	PA 6.6
	PBT
Pollution degree	2
Inflammability class according to UL 94	V-0
Type	DIN rail module, two-section, divisible
Number of positions	2
Surge protection fault message	Optical, remote indicator contact

Protective circuit

Nominal voltage U_N	240/415 V AC (TN-S)
	240/415 V AC (TT)
Nominal frequency f_N	50 Hz (60 Hz)
Maximum continuous operating voltage U_C (L-N)	335 V AC
Maximum continuous voltage U_C (N-PE)	260 V AC
Rated load current I_L	80 A
Residual current I_{PE}	≤ 5 μ A
Standby power consumption P_C	≤ 150 mVA
Nominal discharge current I_n (8/20) μ s (L-N)	20 kA

Type 2 surge protection device - VAL-MS 320/1+1-FM - 2804393

Technical data

Protective circuit

Nominal discharge current I_n (8/20) μ s (L-PE)	20 kA
Nominal discharge current I_n (8/20) μ s (N-PE)	20 kA
Maximum discharge current I_{max} (8/20) μ s (L-N)	40 kA
Maximum discharge current I_{max} (8/20) μ s (L-PE)	40 kA
Maximum discharge current I_{max} (8/20) μ s (N-PE)	40 kA
Follow current interrupt rating I_{fi} (N-PE)	100 A (260 V)
Short-circuit current rating I_{SCCR}	25 kA
Voltage protection level U_p (L-N)	≤ 1.5 kV
Voltage protection level U_p (L-PE)	≤ 1.8 kV
Voltage protection level U_p (N-PE)	≤ 1.5 kV
Residual voltage U_{res} (L-N)	≤ 1.5 kV (at I_n)
	≤ 1.3 kV (at 10 kA)
	≤ 1.2 kV (at 5 kA)
	≤ 1.1 kV (at 3 kA)
Residual voltage U_{res} (L-PE)	≤ 1.8 kV (at I_n)
	≤ 1.4 kV (at 10 kA)
	≤ 1.2 kV (at 5 kA)
	≤ 1.1 kV (at 3 kA)
Residual voltage U_{res} (N-PE)	≤ 0.4 kV (at I_n)
	≤ 0.25 kV (at 10 kA)
	≤ 0.15 kV (at 5 kA)
	≤ 0.1 kV (at 3 kA)
Front of wave sparkover voltage at 6 kV (1.2/50) μ s (N-PE)	≤ 1.5 kV
TOV behavior at U_T (L-N)	415 V AC (5 s / withstand mode)
	440 V AC (120 min / safe failure mode)
TOV behavior at U_T (N-PE)	1200 V AC (200 ms / withstand mode)
Response time t_A (L-N)	≤ 25 ns
Response time t_A (N-PE)	≤ 100 ns
Max. backup fuse with branch wiring	125 A AC (gG)
Max. backup fuse with V-type through wiring	80 A AC (gG)

Indicator/remote signaling

Connection name	Remote fault indicator contact
Switching function	PDT contact
Operating voltage	5 V AC ... 250 V AC
	125 V AC (UL)
	30 V DC

Type 2 surge protection device - VAL-MS 320/1+1-FM - 2804393

Technical data

Indicator/remote signaling

Operating current	5 mA AC ... 1.5 A AC
	1 A AC (UL)
	1 A DC
Connection method	Screw connection
Screw thread	M2
Tightening torque	0.25 Nm
	4 lb _F -in. (UL)
Stripping length	7 mm
Conductor cross section stranded min.	0.14 mm ²
Conductor cross section stranded max.	1.5 mm ²
Conductor cross section solid min.	0.14 mm ²
Conductor cross section solid max.	1.5 mm ²
AWG conductor cross section	28 ... 16
	30 ... 14 (UL)

Connection data

Connection method	Screw connection
Conductor cross section stranded min.	1.5 mm ²
Conductor cross section stranded max.	25 mm ²
Conductor cross section solid min.	1.5 mm ²
Conductor cross section solid max.	35 mm ²
AWG conductor cross section	15 ... 2
	10 ... 2 (UL)
Screw thread	M5
Tightening torque	4.5 Nm
	30 lb _F -in. (UL)
Stripping length	16 mm

NEMA/UL protective circuit

UL class	Type 4 SPD for Type 2 applications
Maximum continuous operating voltage MCOV (L-N)	320 V AC
Maximum continuous operating voltage MCOV (N-G)	260 V AC
Nominal voltage U _N	240 V AC
Mode of protection	L-N
	L-G
	N-G
Power distribution system	1
Nominal frequency	50/60 Hz

Type 2 surge protection device - VAL-MS 320/1+1-FM - 2804393

Technical data

NEMA/UL protective circuit

Voltage protection rating VPR (L-N)	1.2 kV
Voltage protection rating VPR (L-G)	1.8 kV
Voltage protection rating VPR (N-G)	1.2 kV
Nominal discharge current I_n (L-N)	20 kA
Nominal discharge current I_n (L-G)	20 kA
Nominal discharge current I_n (N-G)	20 kA

Classifications

eCl@ss

eCl@ss 4.0	27140201
eCl@ss 4.1	27130801
eCl@ss 5.0	27130801
eCl@ss 5.1	27130801
eCl@ss 6.0	27130805
eCl@ss 7.0	27130805

ETIM

ETIM 2.0	EC000941
ETIM 3.0	EC000941
ETIM 4.0	EC000941
ETIM 5.0	EC000941

UNSPSC

UNSPSC 6.01	30212010
UNSPSC 7.0901	39121610
UNSPSC 11	39121610
UNSPSC 12.01	39121610
UNSPSC 13.2	39121620

Approvals

Approvals

Approvals

UL Recognized / KEMA-KEUR / cUL Recognized / GOST / KEMA-KEUR / CSA / ÖVE / CCA / IECCE CB Scheme / cULus Recognized


Type 2 surge protection device - VAL-MS 320/1+1-FM - 2804393

Approvals

Ex Approvals

Approvals submitted


Approval details

UL Recognized 


KEMA-KEUR 

cUL Recognized 


GOST 

KEMA-KEUR 

CSA

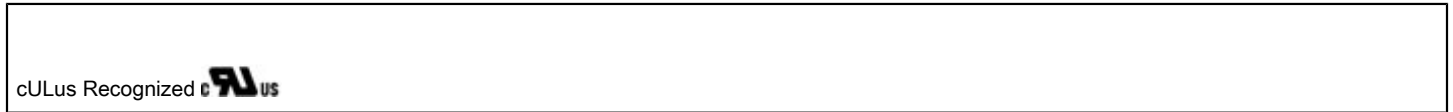
ÖVE 

CCA

IECEE CB Scheme 

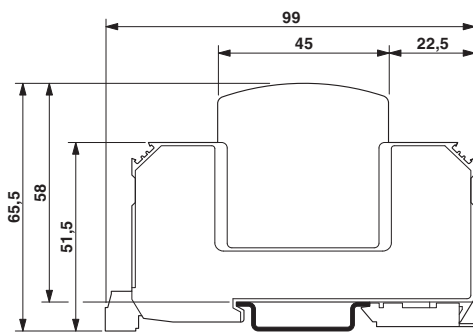
Type 2 surge protection device - VAL-MS 320/1+1-FM - 2804393

Approvals



Drawings

Dimensioned drawing



Circuit diagram

