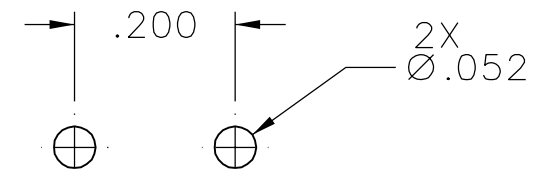


PART NUMBER	ITEM ①		ITEM ②
	BODY	COLOR	CONTACT
105-1101-001	NYLON	WHITE	COPPER ALLOY 688 SILVER PL .0001 MIN
105-1102-001		RED	
105-1103-001		BLACK	
105-1104-001		GREEN	
105-1105-001			
105-1106-001		ORANGE	
105-1107-001		YELLOW	
105-1108-001		BROWN	
105-1109-001			
105-1110-001		BLUE	
105-1111-001			
105-1112-001		VIOLET	
105-1113-001		GRAY	
105-1114-001			
105-1115-001			
105-1116-001			
105-1117-001			
105-1118-001			
105-1119-001			
105-1120-001			



RECOMMENDED MOUNTING HOLE

DRAWING NO.	
B - 105-1101/1120-001	
0	REVISIONS
REVISED AND REDRAWN. DRAWING WAS "C" SIZE 105-1101/1120-001/200 DATED 7-14-87. SPLIT INTO 4 SEPERATE DWGS. CREATED SHEET 2.	
*****	
* REVISION NUMBER FOLLOWED BY AN ALPHA *	
* CHARACTER INDICATES DRAWING CLARIFICATION OR PART NUMBER ADDITION ONLY *	
*****	
16c	2-6-03 R H R J B ECN 48701

NOTES:

SPECIFICATIONS:

ELECTRICAL:

CURRENT RATING: 5 AMPS DC MINIMUM  
DIELECTRIC WITHSTANDING VOLTAGE: 2100 VRMS MIN AT SEA LEVEL  
RECOMMENDED WORKING VOLTAGE: 1500 VRMS MAX AT SEA LEVEL  
350 VRMS MAX AT 50,000 FEET

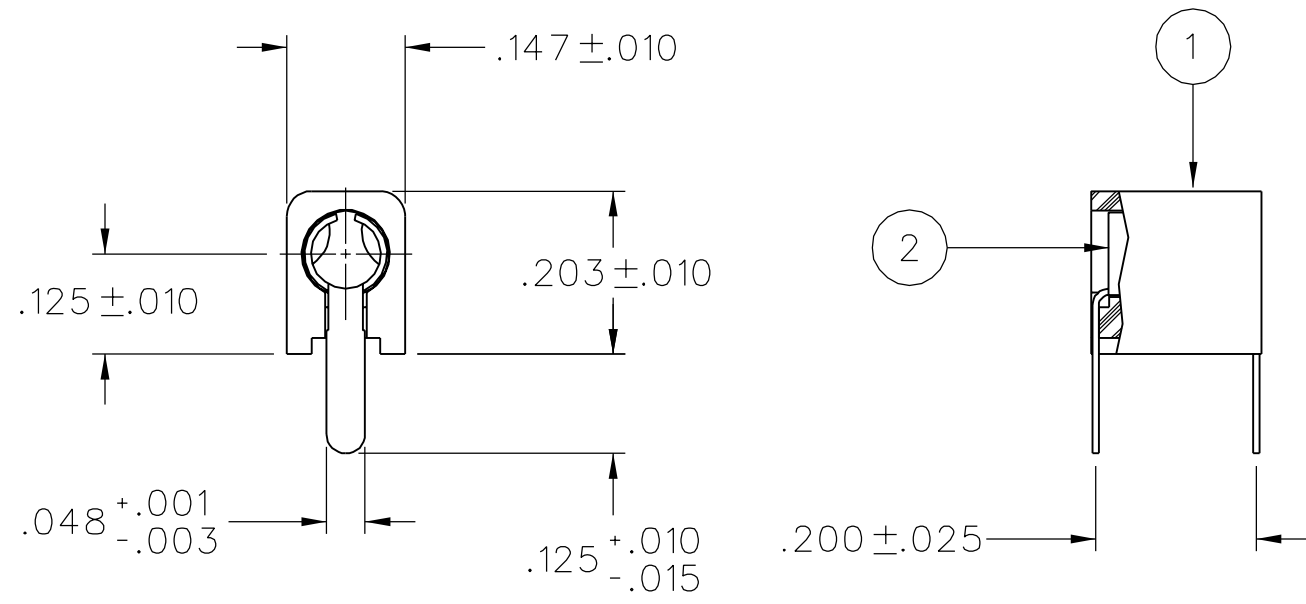
INSULATION RESISTANCE: 5000 MEGOHMS MIN  
CONTACT RESISTANCE: 3 MILLIOHMS MAXIMUM  
CAPACITANCE: 1 PF NOMINAL

MECHANICAL:

INSERTION/WITHDRAWAL FORCE: .25 - 4.5 POUNDS  
CONTACT RETENTION IN INSULATOR FORCE: NOT APPLICABLE  
CONTACT RETENTION IN INSULATOR TORQUE: NOT APPLICABLE  
INSULATOR RETENTION IN .062 PANEL FORCE: NOT APPLICABLE  
INSULATOR RETENTION IN SLEEVE FORCE: NOT APPLICABLE  
INSULATOR RETENTION IN PANEL TORQUE: NOT APPLICABLE  
PLASTIC MOUNTING THREAD STRIPPING TORQUE: NOT APPLICABLE  
RESISTANCE TO TEST PROBE DAMAGE TORQUE: 2 IN LB MIN  
MATING TIP PLUG DIAMETER: .080  
DURABILITY: 500 CYCLES MINIMUM

ENVIRONMENTAL:

(MEETS OR EXCEEDS THE APPLICABLE PARAGRAPH OF MIL-PRF-39024)  
OPERATING TEMPERATURE: -55 DEG C TO 75 DEG C  
TEMPERATURE RISE AT RATED CURRENT: 10 DEG C MAXIMUM  
CORROSION: MIL-STD-1344, METHOD 1001, CONDITION B  
SHOCK: MIL-STD-1344, METHOD 2004, CONDITION G  
VIBRATION: MIL-STD-1344, METHOD 2005, CONDITION I  
HUMIDITY: MIL-STD-1344, METHOD 1002, CONDITION B



CUSTOMER DRAWING

THIS DRAWING TO BE INTERPRETED PER ASME Y 14.5M - 1994

"μSTATION"

COMPANY CONFIDENTIAL

TOLERANCE UNLESS OTHERWISE SPECIFIED	DRAWN BY	DATE
DECIMALS	RJB	12-19-02
.XX	CHECKED BY	DATE
.XXX		
MATL	APPROVED BY	DATE
	RJB	2-7-03
FINISH	RELEASE DATE	2-7-03
	U/M	INCH
	SCALE	4:1

**cinch** CONNECTIVITY SOLUTIONS  
a bel group

Cinch Connectivity Solutions  
P.O. Box 1732  
Waseca, MN 56093  
1-800-247-8256

TITLE  
TIP JACK, MINIATURE  
HORIZONTAL PC MOUNT  
FOR .080 DIA PLUG

SHEET 2 OF 2  
DRAWING NO. B - 105-1101/1120-001