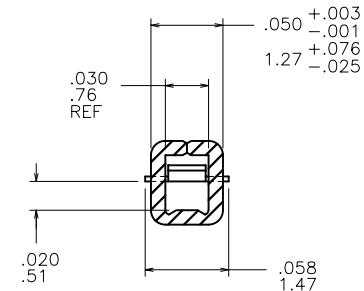
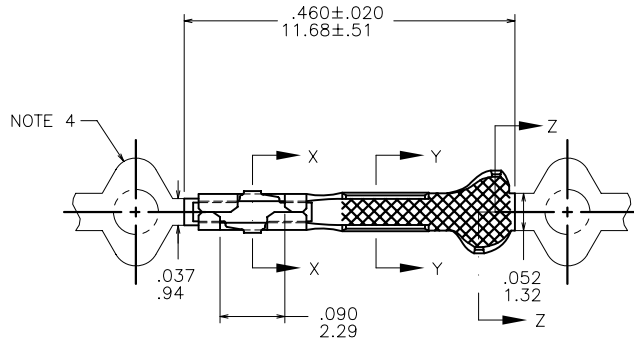
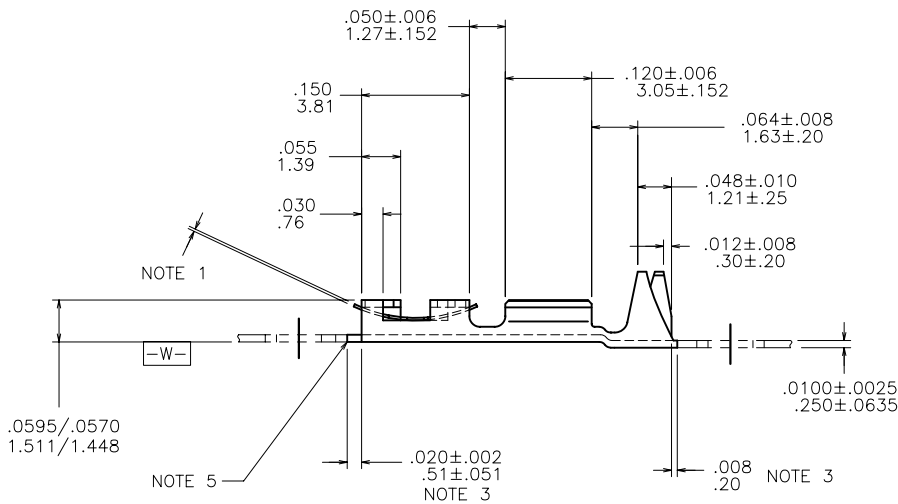


PRODUCT NUMBER
SEE SHEET 3



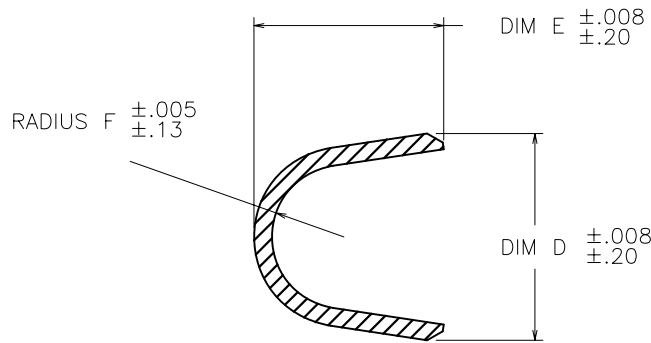
SECTION X-X
SCALE 2:1



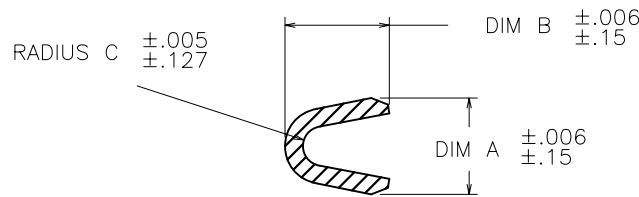
THIS PRODUCT FOR IBM USE ONLY

mat'l. code		surface		tolerance		projection		product family	
SEE NOTE 1		✓		✓		INCH/MM		PV TERMINALS	
ltr	ecn no	dr	date	tolerances unless otherwise specified		INCH/MM		title	
L	v61311	EPK	1996-10-09	angles	°	XX +01/X+3	4:1	MINI PV™ RECEPTACLE	
M	V05-0268	HTB	2005-03-30	fin	XXX +005/XX+13	C.T.W. IBM 70			
N	V06-0623	HTB	2006-06-28	0' ±2'	XXXX +0020/XXX+051	dwg no			
P	V08-0116	HTB	2008-04-07	dr	E.J. HALEY	1987-04-10	sheet 1 of 3	size	
				engr	H. SUNDY	1987-04-10	75600	A4	
				chr	H. SUNDY	1987-04-10	type		
				appd	H. SUNDY	1987-04-10	CUSTOMER Drawing		
sheet index	revision sheet	P	P	P					
		1	2	3					

PRODUCT NUMBER
SEE SHEET 3



SECTION Z-Z
INSULATION BARREL
SCALE 10:1



SECTION Y-Y
WIRE BARREL
SCALE 10:1

NOTES



- ① MAT'L : CONNECTOR BODY, 1/4 HARD BRASS CONFORMING TO ASTM B 36-69 ALLOY 260. SPRING; BERYLLIUM COPPER HEAT TREATED TO 175000 MIN TENSILE STRENGTH.
2. FINISHED PART MUST BE PLATED GOLD OVER NICKEL. PLATING THICKNESS APPLIES TO CONTACT AREA. NICKEL PLATING TO BE .000050/0.00127 MIN THICKNESS. GOLD PLATING TO BE .000040/0.00102 MIN THICKNESS. GOLD TO BE 23.0 KARAT 99.4% PURE. REMAINDER OF PART TO BE 30u"/76u MIN GOLD.
- ③ TAB LENGTH AFTER CUT OFF.
- ④ FOR MANUFACTURING PURPOSES ONLY.
- ⑤ .001/.025 MAX BURR BELOW SURFACE $\boxed{-W-}$.
6. PART TO MATE WITH .028±.001/0.71±0.025 ROUND PIN.
7. APPLICABLE SPECIFICATIONS;
BUS-12-067; PRODUCT SPECIFICATION.
TA-75; APPLICATION SPECIFICATION.
8. PRODUCT MEETS EUROPEAN UNION DIRECTIVES AND OTHER COUNTRY REGULATIONS AS DESCRIBED IN GS-22-008.
9. THIS PRODUCT IS NOT INTENDED TO BE EXPOSED TO MANUFACTURING SOLDERING PROCESSES.

THIS PRODUCT FOR IBM USE ONLY

mat'l. code SEE NOTE 1		surface <input checked="" type="checkbox"/> tolerance		projection	product family PV TERMINALS									
ltr	ecn no	dr	date	tolerances unless otherwise specified		title								
P				angles	<table border="1"> <tr><td>XX</td><td>+01/X+3</td></tr> <tr><td>XXX</td><td>+005/XX+13</td></tr> <tr><td>0' ±2'</td><td>XXXX +0020/XXX+051</td></tr> </table>	XX	+01/X+3	XXX	+005/XX+13	0' ±2'	XXXX +0020/XXX+051	<table border="1"> <tr><td>INCH/MM</td></tr> <tr><td>scale 1:1</td></tr> </table>	INCH/MM	scale 1:1
XX	+01/X+3													
XXX	+005/XX+13													
0' ±2'	XXXX +0020/XXX+051													
INCH/MM														
scale 1:1														
					MINI PV™ RECEPTACLE C.T.W. IBM 70									
					dwg no 75600 sheet 2 of 3 size A4									
					type CUSTOMER Drawing									
sheet index	revision sheet													

PRODUCT NUMBER	WIRE BARREL			INSULATION BARREL			WIRE RANGE	SPRING SIZE
	DIM A	DIM B	RADIUS C	DIM D	DIM E	RADIUS F		
75600-001	O B S O L E T E							
75600-001LF	.054/1.37	.058/1.47	.011/0.28	.115/2.92	.105/2.67	.040/1.02	28-32	.0035±.0005/0.089±0.013
75600-002	O B S O L E T E							
75600-002LF	.070/1.78	.070/1.78	.017/0.43	.139/3.53	.120/3.05	.050/1.27	22-26	.0035±.0005/0.089±0.013
75600-003	O B S O L E T E							
75600-003LF	.104/2.64	.104/2.64	.021/0.53	.139/3.53	.120/3.05	.050/1.27	18-20	.0035±.0005/0.089±0.013
75600-004	O B S O L E T E							
75600-004LF	.054/1.37	.058/1.47	.011/0.28	.115/2.92	.105/2.67	.040/1.02	28-32	.0048±.0005/0.122±0.013
75600-005	O B S O L E T E							
75600-005LF	.070/1.78	.070/1.78	.017/0.43	.139/3.53	.120/3.05	.050/1.27	22-26	.0048±.0005/0.122±0.013
75600-006	O B S O L E T E							
75600-006LF	.104/2.64	.104/2.64	.021/0.53	.139/3.53	.120/3.05	.050/1.27	18-20	.0048±.0005/0.122±0.013
75600-007	O B S O L E T E							
75600-007LF	.054/1.37	.058/1.47	.011/0.28	.115/2.92	.105/2.67	.040/1.02	28-32	.0065±.0005/0.165±0.013
75600-008	O B S O L E T E							
75600-008LF	.070/1.78	.070/1.78	.017/0.43	.139/3.53	.120/3.05	.050/1.27	22-26	.0065±.0005/0.165±0.013
75600-009	O B S O L E T E							
75600-009LF	.104/2.64	.104/2.64	.021/0.53	.139/3.53	.120/3.05	.050/1.27	18-20	.0065±.0005/0.165±0.013

THIS PRODUCT FOR IBM USE ONLY

mat'l. code		surface		tolerance		projection		product family	
SEE NOTE 1								PV TERMINALS	
ltr	ecn no	dr	date	tolerances unless otherwise specified				title	
P				angles	inches	fractions	INCH/MM	MINI PV™ RECEPTACLE	
				0° ±2'			scale 1:1	C.T.W. IBM 70	
				dr	T. BREWBAKER	2008-04-07		dwg no	
				engr	T. BREWBAKER	2008-04-07		sheet 3 of 3 size	
				chr	T. BREWBAKER	2008-04-07		75600 A4	
				appd	T. BREWBAKER	2008-04-07		type CUSTOMER Drawing	
sheet index	revision sheet								