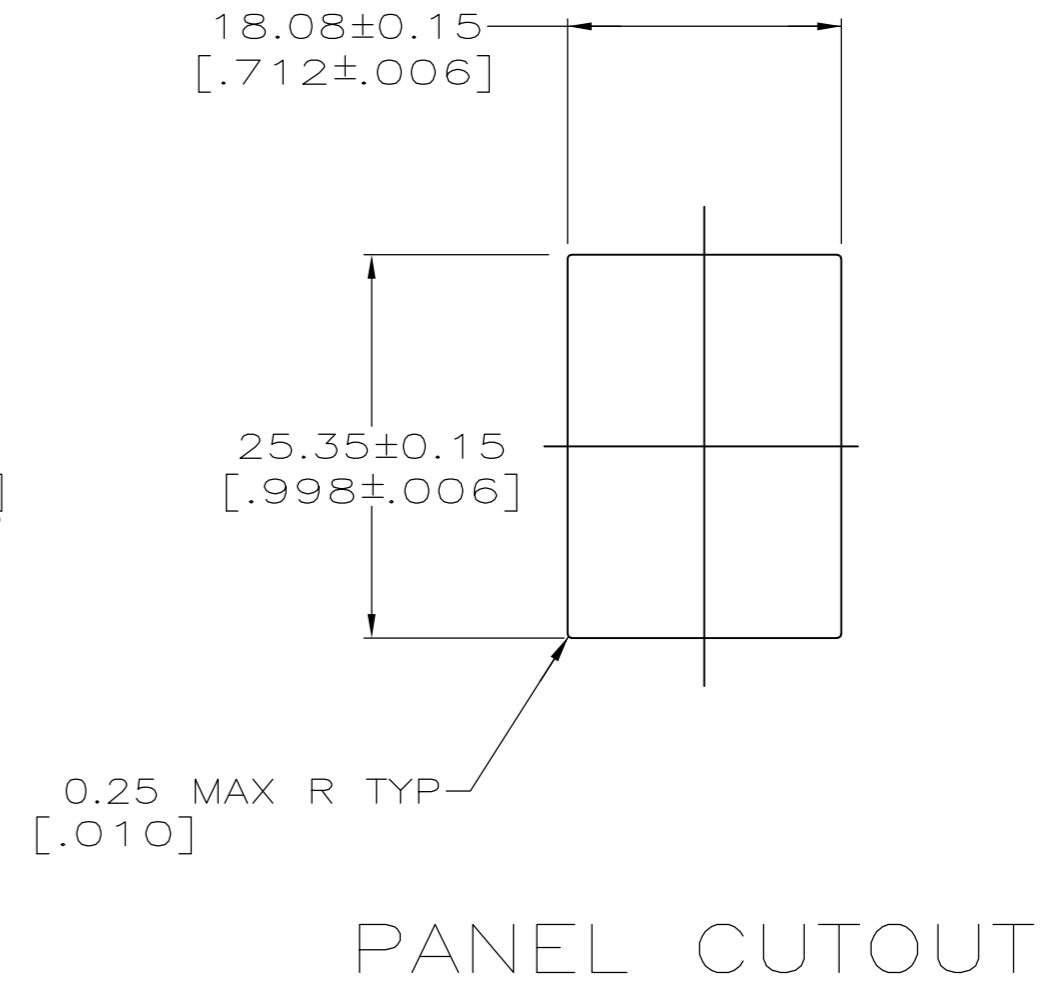
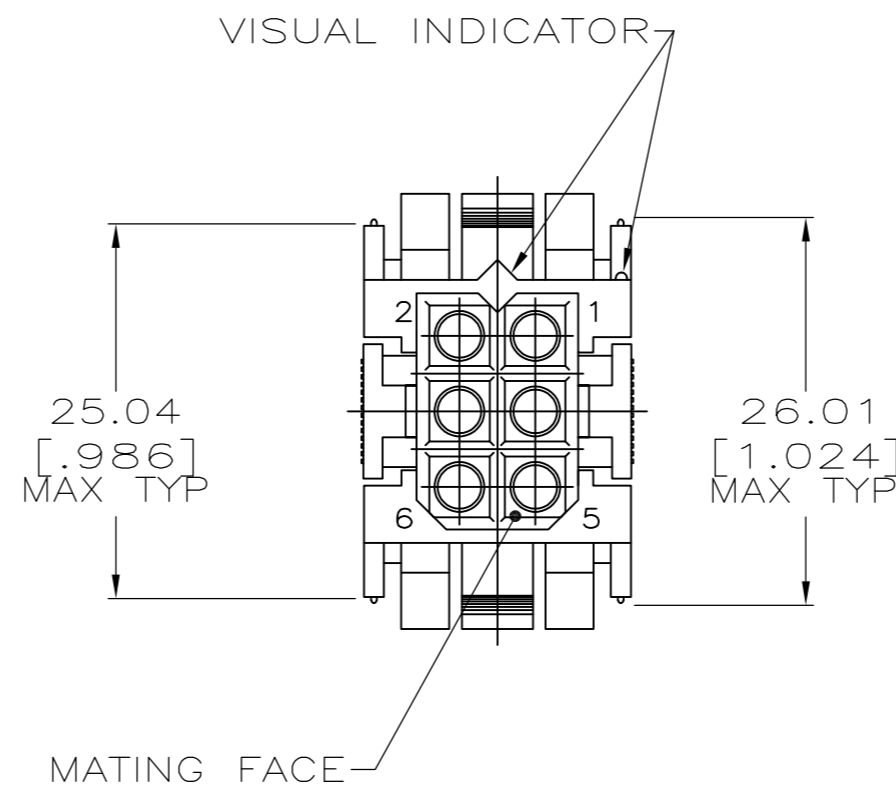
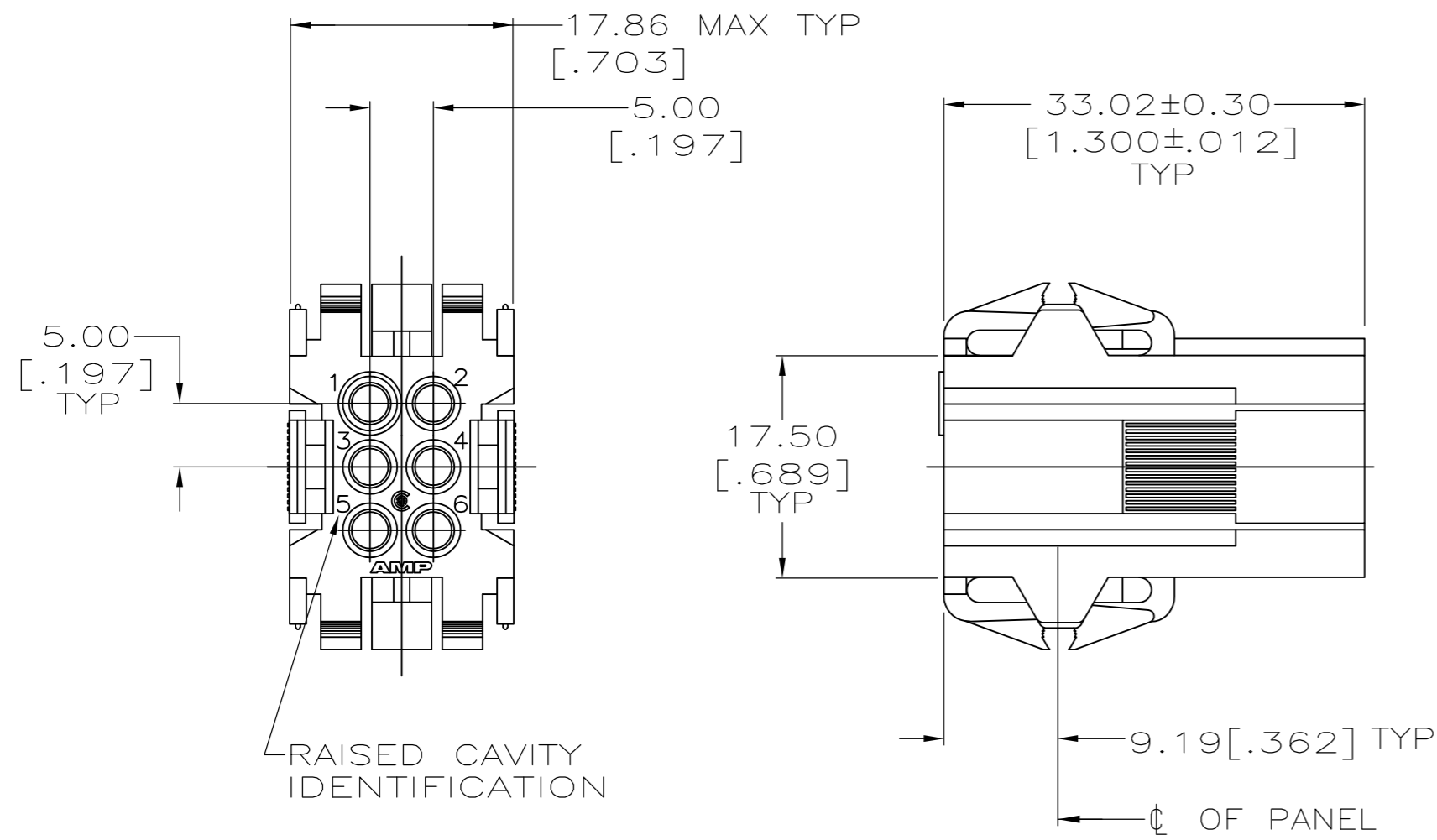


THIS DRAWING IS UNPUBLISHED. RELEASED FOR PUBLICATION
 © COPYRIGHT - By - ALL RIGHTS RESERVED.

LOC		DIST		REVISIONS			
P	LTR	DESCRIPTION		DATE	DWN	APVD	
FT	0	R2		REVISED PER ECO-11-005027	11MAR11	RK HMR	



- 1. PANEL RETENTION MECHANISM ACCOMMODATES PANEL THICKNESSES FROM 0.76[.030] TO 2.29[.090].
- 2 SAME AS 207153-1 EXCEPT: ROUNDED EDGES ON THE OUTSIDE OF THE HOUSING AND A 45° ANGLE ON THE OUTSIDE OF THE HOUSING BY THE LOCKING LATCHES, REF 927673.
- 3 OBSOLETE PART NUMBER.

3	2	207153-2
		207153-1
PART NUMBER		

THIS DRAWING IS A CONTROLLED DOCUMENT.		DWN W.LENKER 08/26/92	TE TE Connectivity	
		CHK R.STONE 8-31-92		
DIMENSIONS: mm [INCHES]		TOLERANCES UNLESS OTHERWISE SPECIFIED:		NAME
		0 PLC ± -	1 PLC ± -	HOUSING, RECEPTACLE, 6 POSITION, METRIMATE
		2 PLC ± 0.25 [.010]	3 PLC ± -	
		4 PLC ± -	ANGLES ± -	
		FINISH -		
MATERIAL NYLON, COLOR: RED		PRODUCT SPEC 108-10033	APPLICATION SPEC -	SIZE A2
		WEIGHT -	CAGE CODE 00779	DRAWING NO C=207153
CUSTOMER DRAWING			SCALE 2:1	SHEET 1 of 1
			REV R2	RESTRICTED TO -