



PRODUCT DATASHEET

Florentina series

last update 25/8/2016

DETAILS

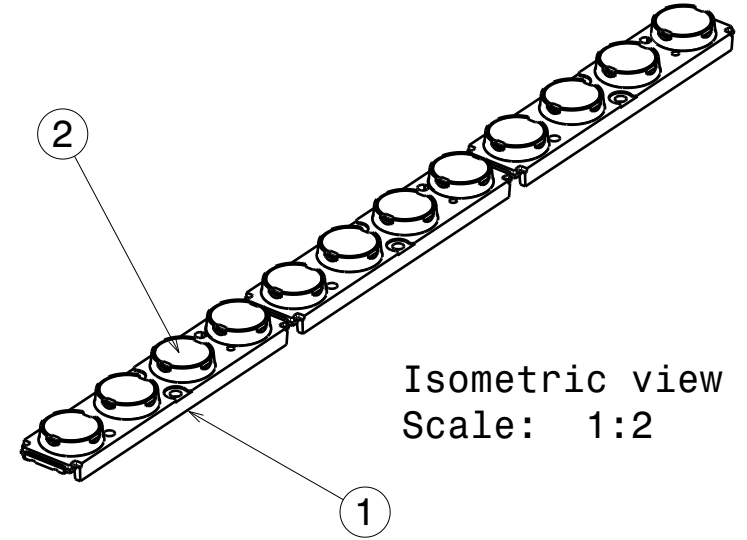
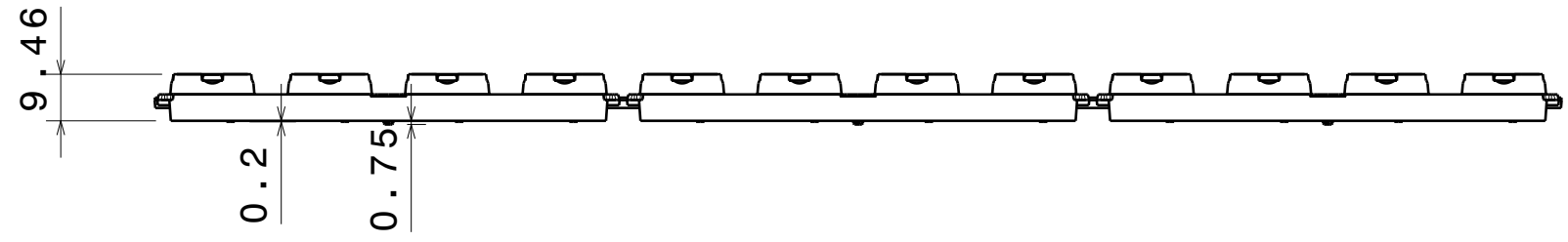
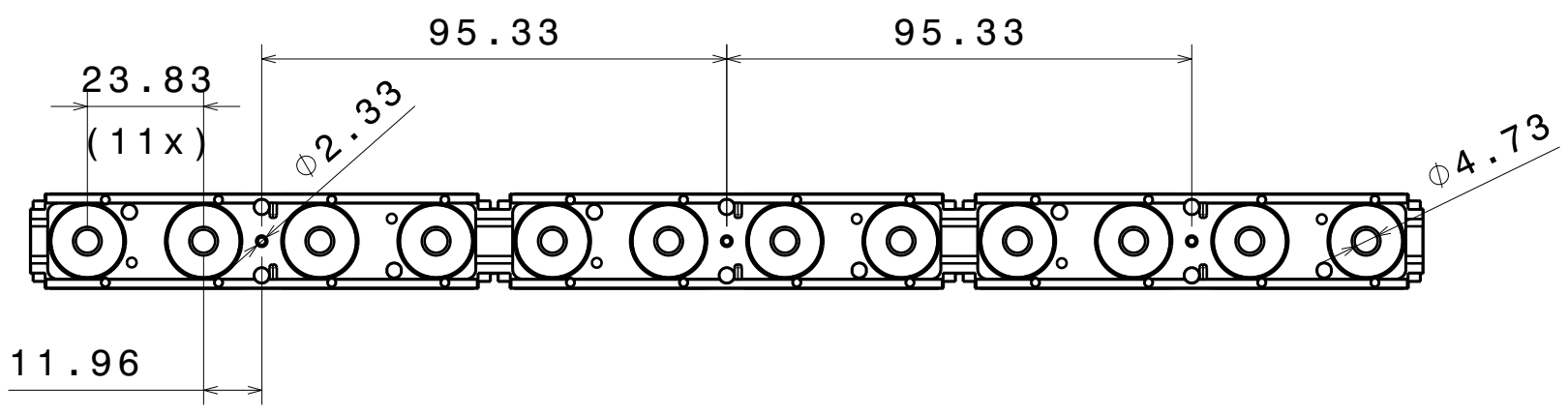
Product Number	CP14993_FLORENTINA-HLD-SS
Family	Florentina
Type	Assembly
Color	black
Diameter	285,6+19,5 mm
Height	10,2 mm
Style	rectang
Optic Material	PMMA
Holder Material	
Fastening	
Status	production ready
ROHS Compliant	Yes
Date Updated	25/08/2016



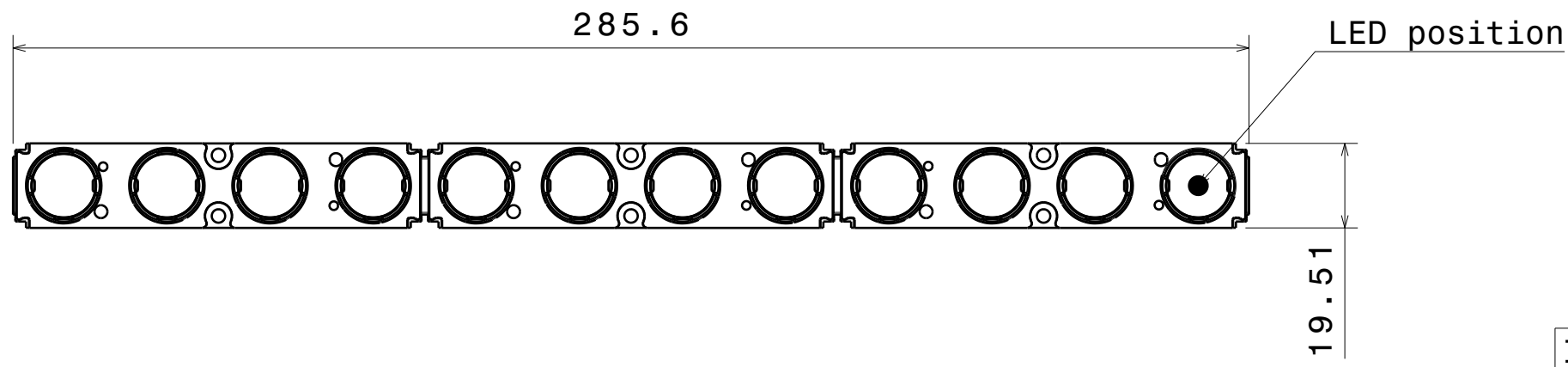
OPTICAL PROPERTIES

LED	Viewing Angle	Light Beam	Efficiency	cd/lm	Connector
XP-G	N/A deg	Smooth spo...-		-	-
Oslo SSL 150	20 deg	Smooth spo...86 %		5.800	-

H G F E D C B A



Isometric view
Scale: 1:2



INDEX	PART NO	DESCRIPTION	MATERIAL	COLOUR
1	C14445	FLORENTINA-HLD	PC	black
2	C12336	TINA2-SS	PMMA	clear

Tolerances if not otherwise shown
According to DIN ISO 2768-1
Linear measures:
up to 30mm class M, otherwise class C
According to DIN ISO 2768-2
Form and position: class L

LEDiL LediL Oy
Salorankatu 10
FIN 24240 SALO
Finland

THIRD ANGLE PROJECTION:

DRAWING TITLE
CP14993_FLORENTINA-HLD-SS

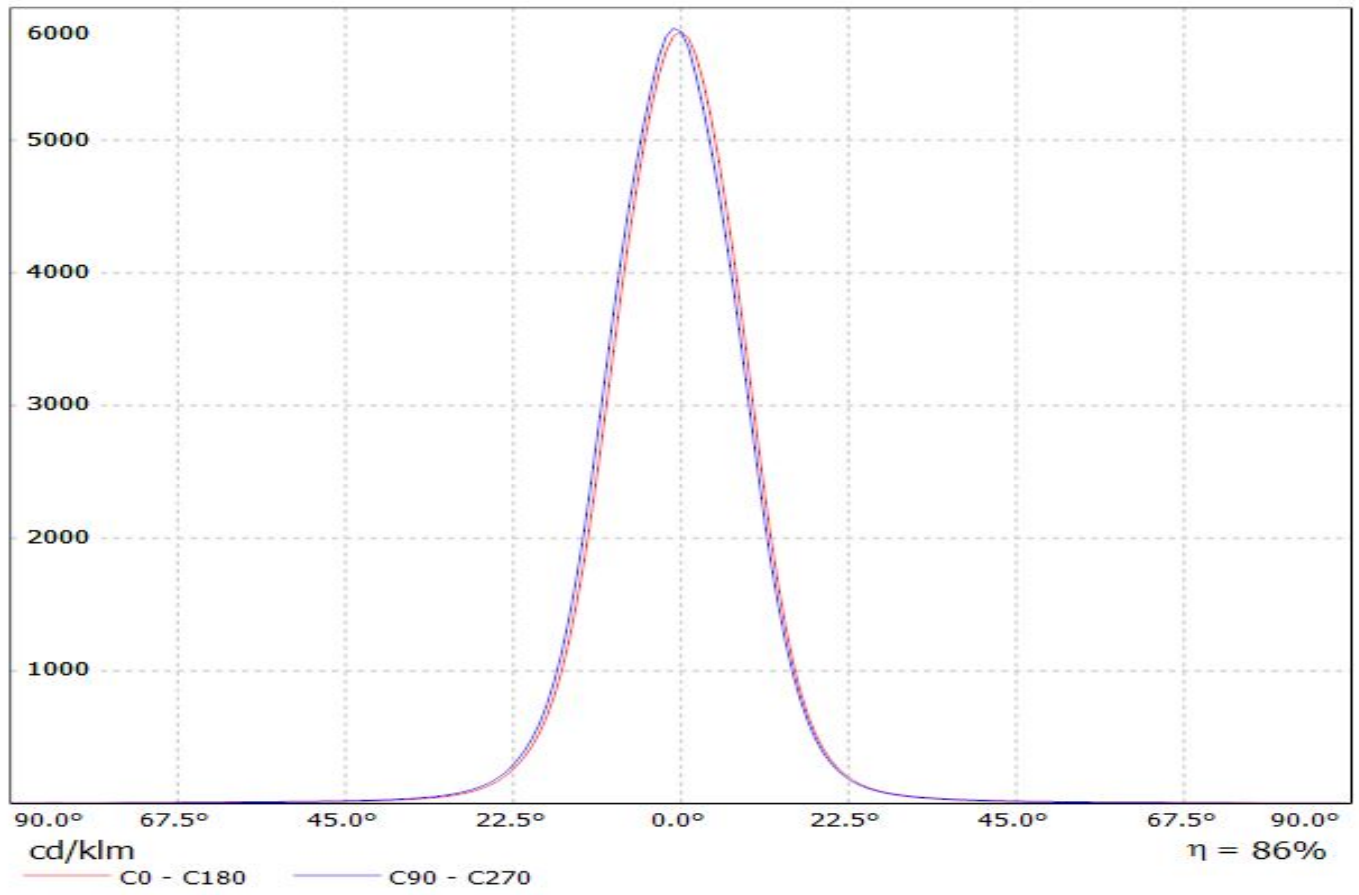
This drawing is the property of LEDiL Oy. It may not be reproduced, copied or communicated without a written agreement with LEDiL Oy.

SIZE	PART NUMBER
A3	CP14993

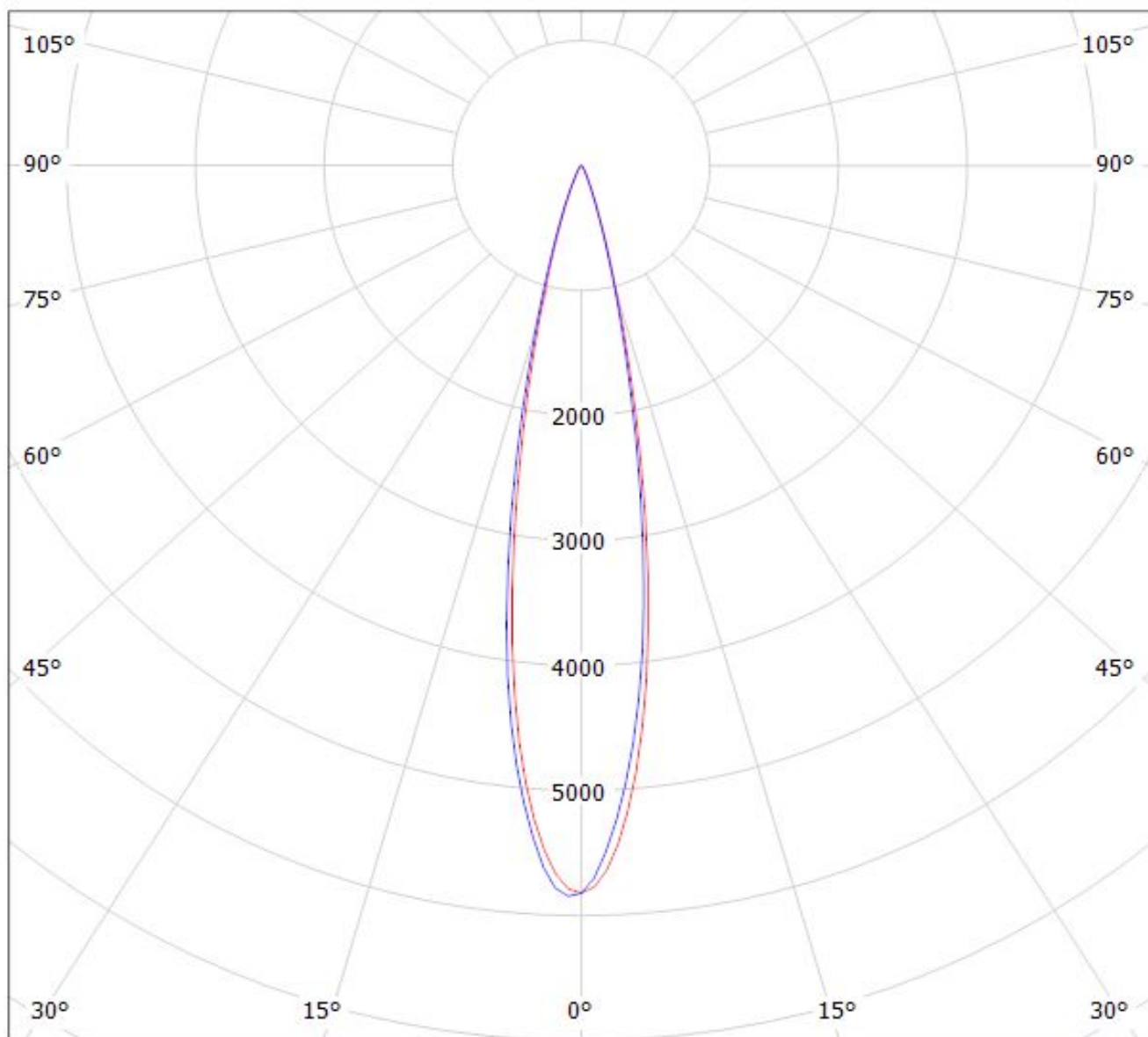
SCALE	2:3	WEIGHT	26,6 g	SHEET	1/1
-------	-----	--------	--------	-------	-----

H G B A

Luminaire: Ledil CP14993_FLORENTINA-HLD-SS_(SSL150)
Lamps: 1 x Oslon_SSL150_995.439lm@250mA_P=8.4375W_I=0.25A



Luminaire: Ledil CP14993_FLORENTINA-HLD-SS_(SSL150)
Lamps: 1 x Oslon_SSL150_995.439lm@250mA_P=8.4375W_I=0.25A



cd/klm

— C0 - C180 — C90 - C270

$\eta = 86\%$

NOTE: The typical divergence will be changed by different color, chip size and chip position tolerance. The typical total divergence is the full angle measured where the luminous intensity is half of the peak value.