

# CGA3E2C0G2A150J080AA

TDK Item Description : CGA3E2C0G2A150JT\*\*\*



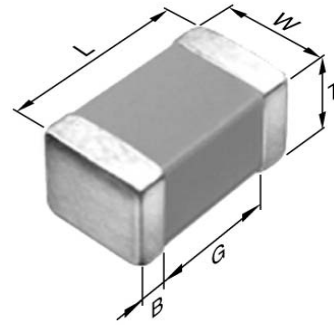
Equivalent C1608C0G2A150J for Automotive

## Application & Main Feature

Automotive Grade ( Mid Voltage (100 to 630V) )

## Series

CGA3(1608) [EIA CC0603]



## Dimensions

L 1.60mm +/-0.1mm  
W 0.80mm +/-0.1mm  
T 0.80mm +/-0.1mm  
B 0.20mm Min.  
G 0.30mm Min.

## Temperature Characteristic

C0G (-55 to 125 degC 0+/-30ppm/degC)

## Rated Voltage

2A (100Vdc)

## Capacitance

15pF

## Capacitance Tolerance

J (+/-5%)

## Q Factor

700 Min.

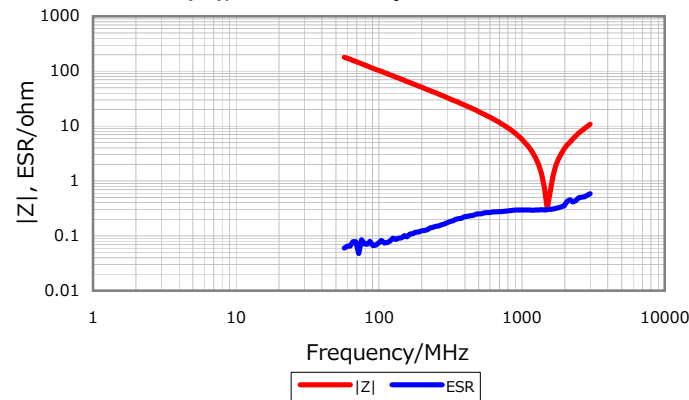
## Insulation Resistance

10Gohm Min.

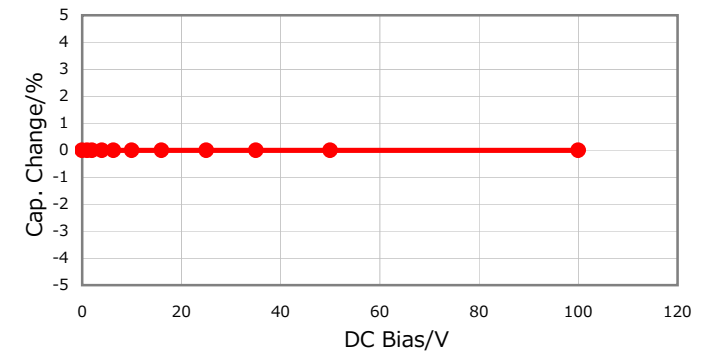
## AEC-Q200

Yes

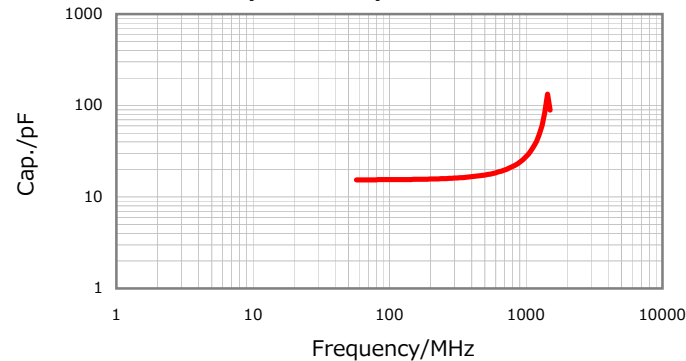
### |Z|, ESR vs. Freq. Characteristics



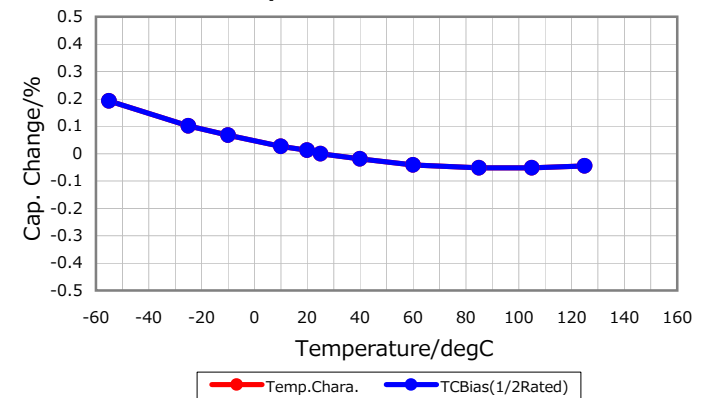
### DC Bias Characteristic



### Cap. vs. Freq. Characteristic



### Temperature Characteristics



Characterization Sheet ( Multilayer Ceramic Chip Capacitors )



All specifications are subject to change without notice.

January 4, 2016