

1 2 3 4 5 6

A

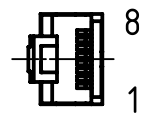
B

C

D

8/8S

P1

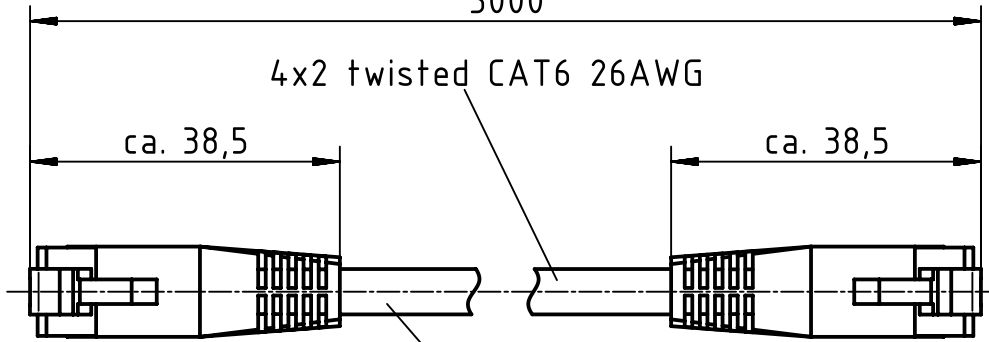


5000

4x2 twisted CAT6 26AWG

ca. 38,5

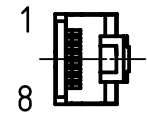
ca. 38,5



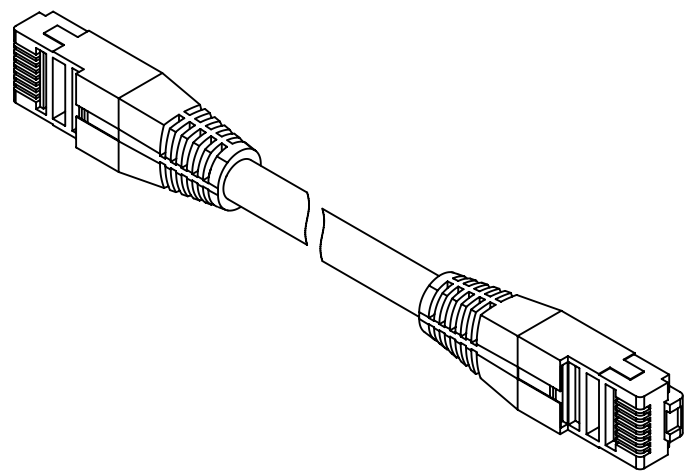
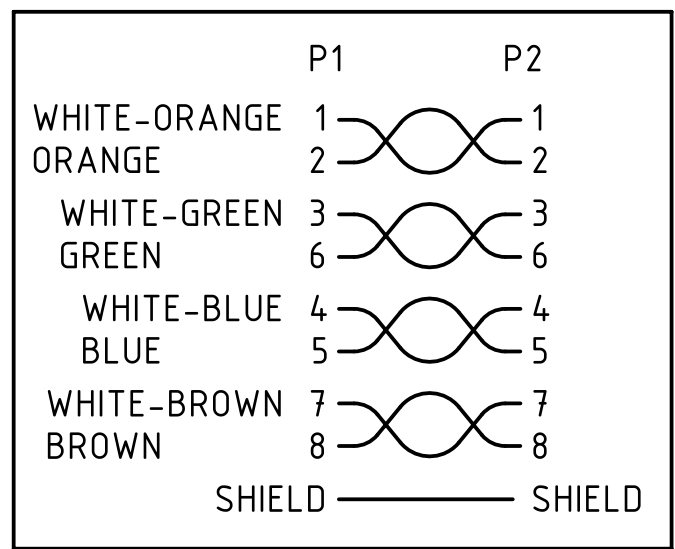
cable imprint:  
HARTING part no. 39 50 903 0061

8/8S

P2



circuit diagram



	All rights reserved Department EL PD - DE	All Dimensions in mm Original Size DIN A4		Scale 1:1	Free size tol.		Ref. Sub.	
		HARTING Electric GmbH & Co. KG D-32339 Espelkamp	Created by RULLKOETTER	Inspected by BERGHORN	Standardisation RUETERA	Date 2017-02-07	State Final Release	
				Title Cable RJ45; CAT5e; 5 m			Rev. B	
				Type TB	Number 39 50 903 0061			Page 1/1