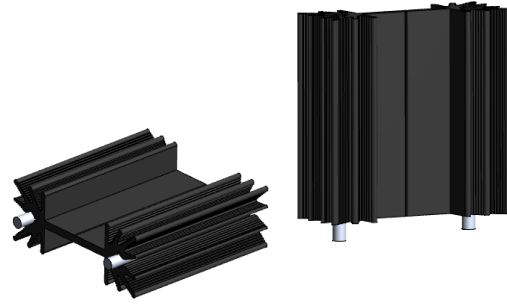


Data Sheet : 255AS HEAT SINK 25.40 MM

Features

- TO-220 package
- Placement pins for secure PCB attachment
- Round hole for component attachment
- Multiple available cut lengths
- RosH



| | |
|-----------------|----------------------------------|
| Material | : 6063 Alum. T5 |
| Type | : Extruded |
| Width | : 35 mm |
| Height | : 12.7 mm |
| Length (L) | : 25 mm 30 mm 35 mm |
| Plate Thickness | : 1.5 mm |
| Surface | : Black anodized |
| Pin Material | : Brass |

Technical Drawing

