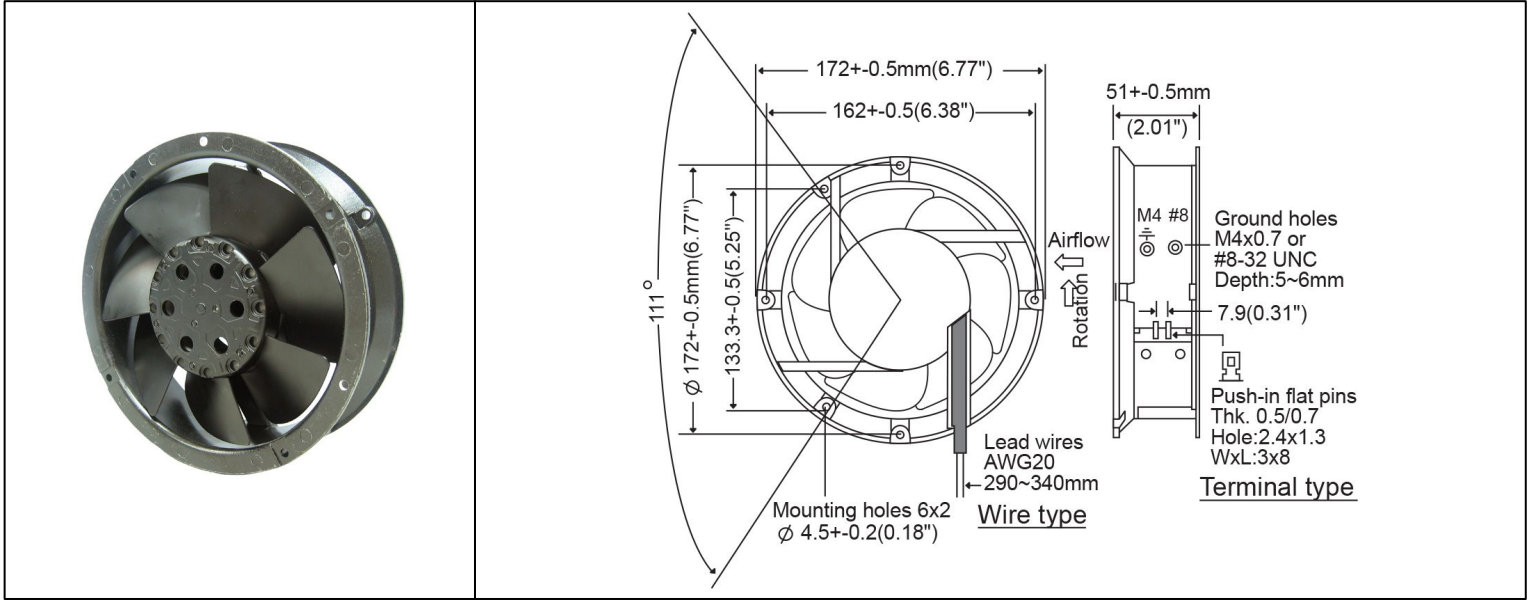


OA172AP All Metal Series



AC Fans - 115, 230V
172mm x 51mm (6.8" x 2.0")



Frame	Die Cast Aluminum, Black Painted or Natural Aluminum Finish	Operating Temperature -30°C ~ +80°C	
Impeller	Steel Alloy	Storage Temperature -40°C ~ +100°C	
Connection	2x Lead Wires, 20 AWG, or Terminals	Life Expectancy 50,000 Hours (L10 at 55°C)	
Motor	Capacitor Induction, Single Phase, Auto Cutoff, Auto Reset, Thermally Protected	Installed Options IP55 Rated Motor	
Bearing System	Ball Bearings	Available Options Dual Speed versions Other voltages	
Dielectric Strength	1500VAC/min, <5mA	Weight: 3.0 lbs.	
Insulation Resistance	≥100MΩ @ 500 VDC		

Part Number	Rated Voltage (Volts AC)	Voltage Range (Volts AC)	Frequency (Hertz)	Input Power (Watts)	Rated Speed (RPM)	Max Airflow (CFM)	Noise Level (dBA)	Max Static Pressure ("H ₂ O)
OA172AP-11-1*B1855	115	100 ~ 130	50 / 60	47 / 42	2750 / 3100	190 / 215	59	0.57 / 0.51
OA172AP-11-2*B1855	115	100 ~ 130	50 / 60	35 / 32	2350 / 2300	162 / 155	48	0.46 / 0.37
OA172AP-11-3*B1855	115	100 ~ 130	50 / 60	23 / 20	1500 / 1600	105 / 110	36	0.33 / 0.27
OA172AP-22-1*B1855	230	200 ~ 260	50 / 60	47 / 42	2750 / 3100	190 / 215	59	0.57 / 0.51
OA172AP-22-2*B1855	230	200 ~ 260	50 / 60	35 / 32	2350 / 2300	162 / 155	48	0.46 / 0.37
OA172AP-22-3*B1855	230	200 ~ 260	50 / 60	23 / 20	1500 / 1600	105 / 110	36	0.33 / 0.27

* Substitute "T" for Terminal connection type, or "W" for Wire Lead connection type.