

**PLEASE CHECK WWW.MOLEX.COM FOR LATEST PART INFORMATION**

**Part Number:** [0460140405](#)

**Status:** **Active**

**Overview:** Mini-Fit Family Power Connectors

**Description:** Mini-Fit Plus Header, 4.20mm Pitch, Single Row, Vertical, 4 Circuits, with Snap-in Plastic Peg PCB Lock, PA Polyamide Nylon 6/6, UL 94V-2, Tin (Sn) Over Nickel (Ni) Plating

**Documents:**

<a href="#">3D Model</a>	<a href="#">Product Specification PS-45750-001-001 (PDF)</a>
<a href="#">Drawing (PDF)</a>	<a href="#">Packaging Specification PK-5566-002-000 (PDF)</a>
<a href="#">3D Model (PDF)</a>	<a href="#">RoHS Certificate of Compliance (PDF)</a>

**Agency Certification**

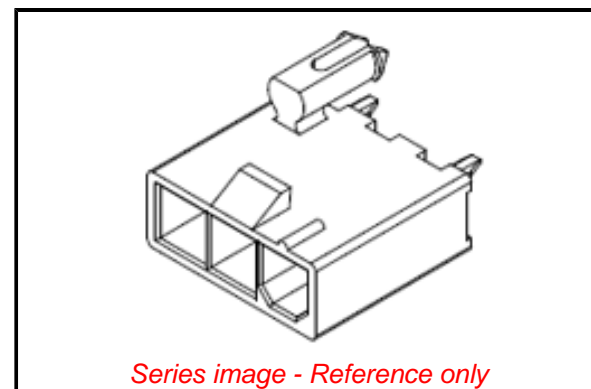
CSA	LR19980
UL	E29179

**General**

Product Family	PCB Headers
Series	46014
Application	Board-to-Board, Power, Wire-to-Board
Comments	11.5A When using as Board-to-Board Applications 12A When Using as Wire-to-Board
Overview	<a href="#">Mini-Fit Family Power Connectors</a>
Product Name	Mini-Fit Plus
UPC	884982067752

**Physical**

Breakaway	No
Circuits (Loaded)	4
Circuits (maximum)	4
Color - Resin	Natural
Durability (mating cycles max)	100
First Mate / Last Break	No
Flammability	94V-2
Glow-Wire Capable	No
Guide to Mating Part	No
Keying to Mating Part	None
Lock to Mating Part	Yes
Material - Metal	Copper Alloy
Material - Plating Mating	Tin
Material - Plating Termination	Nickel
Material - Resin	Nylon
Net Weight	1.099/g
Number of Rows	1
Orientation	Vertical
PC Tail Length	1.80mm
PCB Locator	Yes
PCB Retention	Yes
PCB Thickness - Recommended	1.78mm
Packaging Type	Tray
Pitch - Mating Interface	4.20mm
Polarized to Mating Part	Yes
Polarized to PCB	Yes
Shrouded	Fully
Stackable	No
Surface Mount Compatible (SMC)	No
Temperature Range - Operating	-40° to +105°C



*Series image - Reference only*

**EU ELV**

**Not Relevant**

**EU RoHS**

**Compliant**

**REACH SVHC**

Not Contained Per - D(2021)4569-DC (8 July 2021)

**Halogen-Free**

**Status**

**Low-Halogen**

For more information, please visit [Contact US](#)

China ROHS

ELV

RoHS Phthalates

**China RoHS**

Green Image

Not Relevant

Not Contained

**Search Parts in this Series**

[46014 Series](#)

**Mates With**

[5557 Mini-Fit Jr. Receptacle Housing](#)

Termination Interface: Style Through Hole

**Electrical**

Current - Maximum per Contact 11.5A, 12.0A  
Voltage - Maximum 600V

**Solder Process Data**

Duration at Max. Process Temperature (seconds) 005  
Lead-free Process Capability WAVE  
Max. Cycles at Max. Process Temperature 001  
Process Temperature max. C 240

**Material Info**

**Reference - Drawing Numbers**

Packaging Specification PK-5566-002-000  
Product Specification PS-45750-001-001  
Sales Drawing SD-46014-001-000

This document was generated on 09/27/2021

**PLEASE CHECK [WWW.MOLEX.COM](http://WWW.MOLEX.COM) FOR LATEST PART INFORMATION**