

10

9

8

7

6

5

4

3

2

1

F

F

E

E

D

D

C

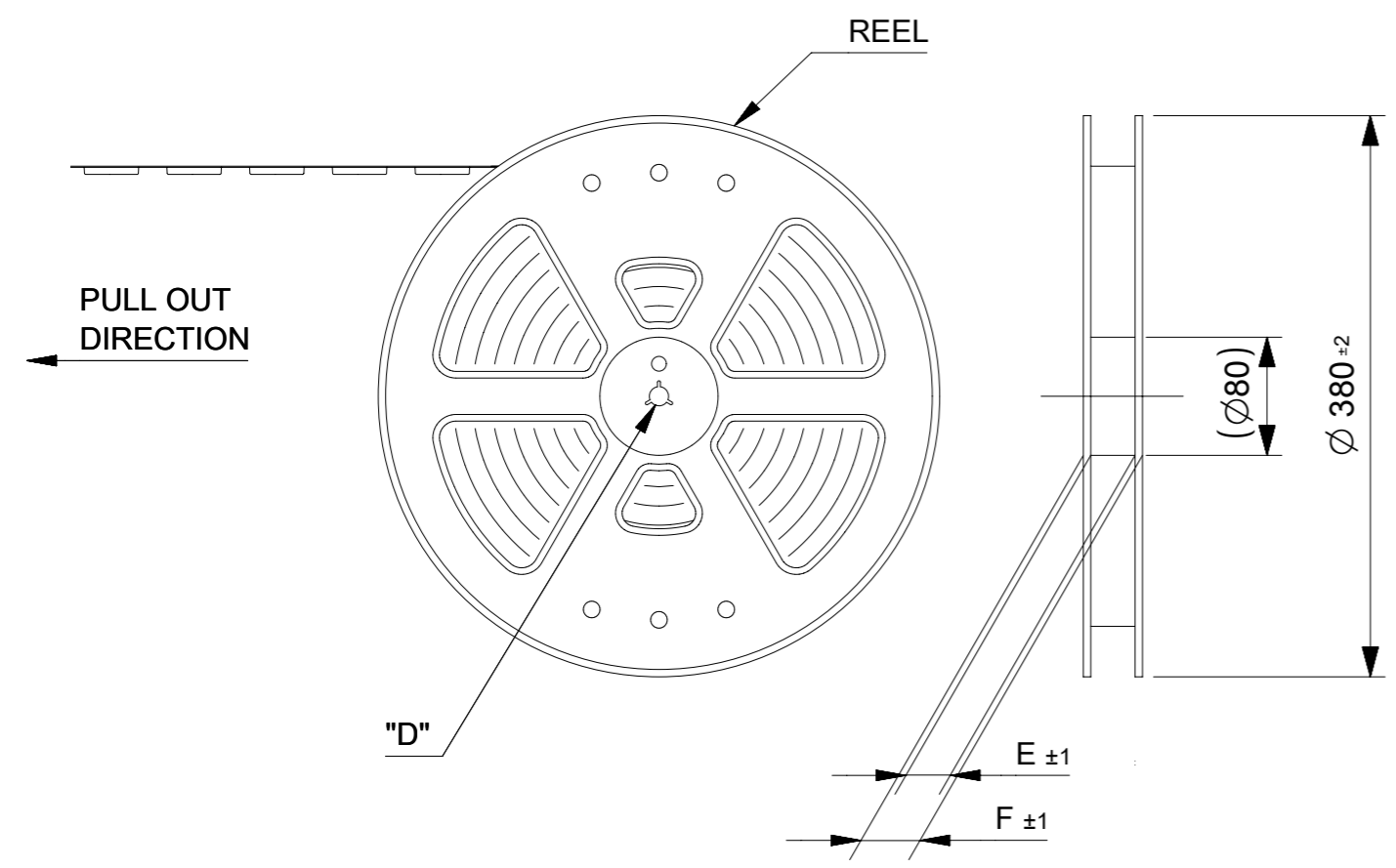
C

B

B

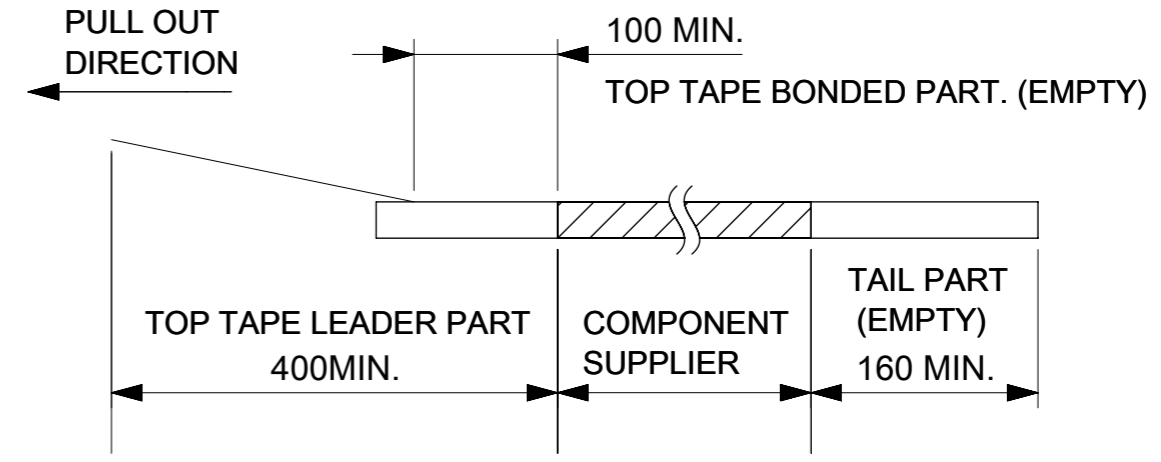
A

A

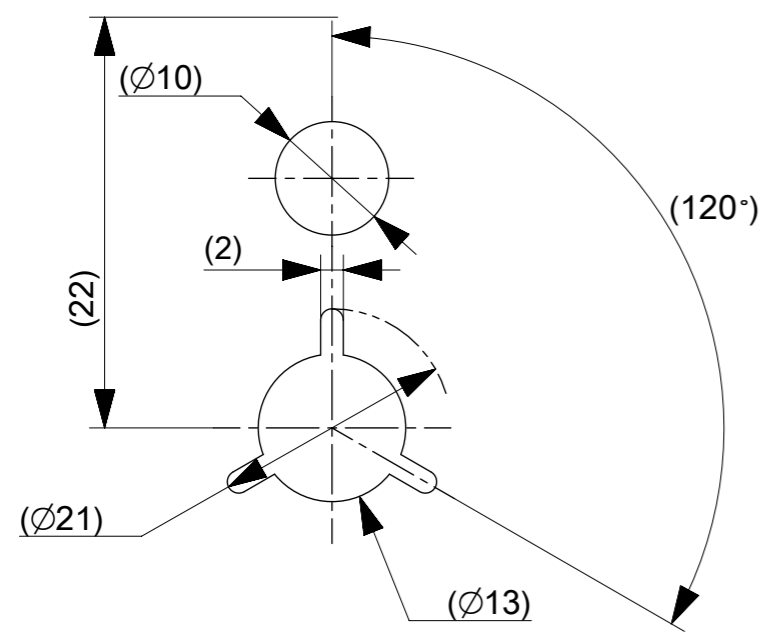


NOTES

1. RE DETAILED DIMENSION, SEE PRODUCT DRAWING.
2. NUMBER OF CONNECTORS : 20000PCS/REEL
3. LEAD TAPE LENGTH.



4. PEELING OFF FORCE OF THE TOP TAPE IS DEFINED BY IEC60286-3.
5. MATERIAL
 CARRIER TAPE : POLYSTYRENE OR PET
 TOP TAPE : PET , OTHER
 REEL : POLYSTYRENE (PS) < RECYCLE MATERIAL CONTAINED >



DETAIL "D"

THIS DRAWING CONTAINS INFORMATION THAT IS PROPRIETARY TO MOLEX ELECTRONIC TECHNOLOGIES, LLC AND SHOULD NOT BE USED WITHOUT WRITTEN PERMISSION													
DIMENSION UNITS		SCALE		CURRENT REV DESC:									
mm		1:1		molex 5G15 (6+4P RF) REC EMOSS PACKAGE PRODUCT CUSTOMER DRAWING									
GENERAL TOLERANCES (UNLESS SPECIFIED)													
ANGULAR TOL ± °													
4 PLACES ±		EC NO: 668673								DRWN: RMIYAMOTO		2021/06/30	
3 PLACES ±		CHK'D: KSASAKI								DRWN: RMIYAMOTO		2021/06/30	
2 PLACES ±		APPR: YKOBAYASHI02		APPR: YKOBAYASHI02		2021/06/30							
1 PLACE ±		INITIAL REVISION:		DRWN: RMIYAMOTO		2021/06/25							
0 PLACES ±		APPR: YKOBAYASHI02		APPR: YKOBAYASHI02		2021/06/30							
DRAFT WHERE APPLICABLE MUST REMAIN WITHIN DIMENSIONS				THIRD ANGLE PROJECTION		DRAWING		SERIES					
						A3-SIZE		215360					
DOCUMENT NUMBER				DOC TYPE		DOC PART		REVISION					
2153600000-SD				PSD		000		A					
MATERIAL NUMBER				CUSTOMER		SHEET NUMBER							
SEE CHART				GENERAL		1 OF 2							

9

8

7

6

5

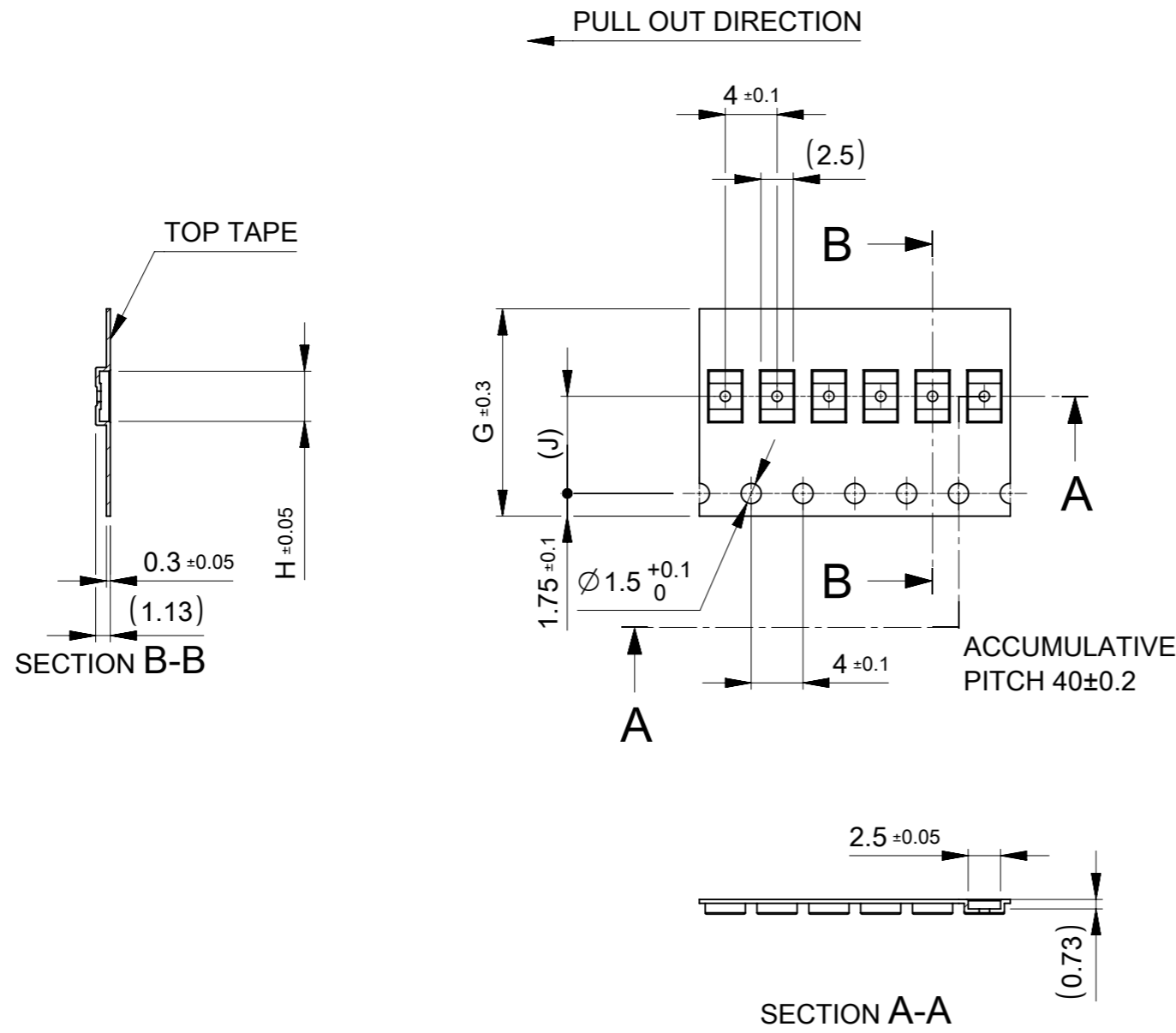
4

3

2

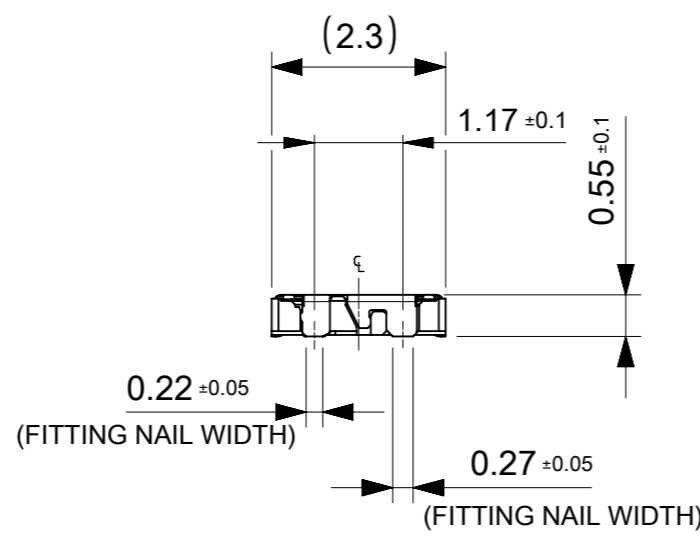
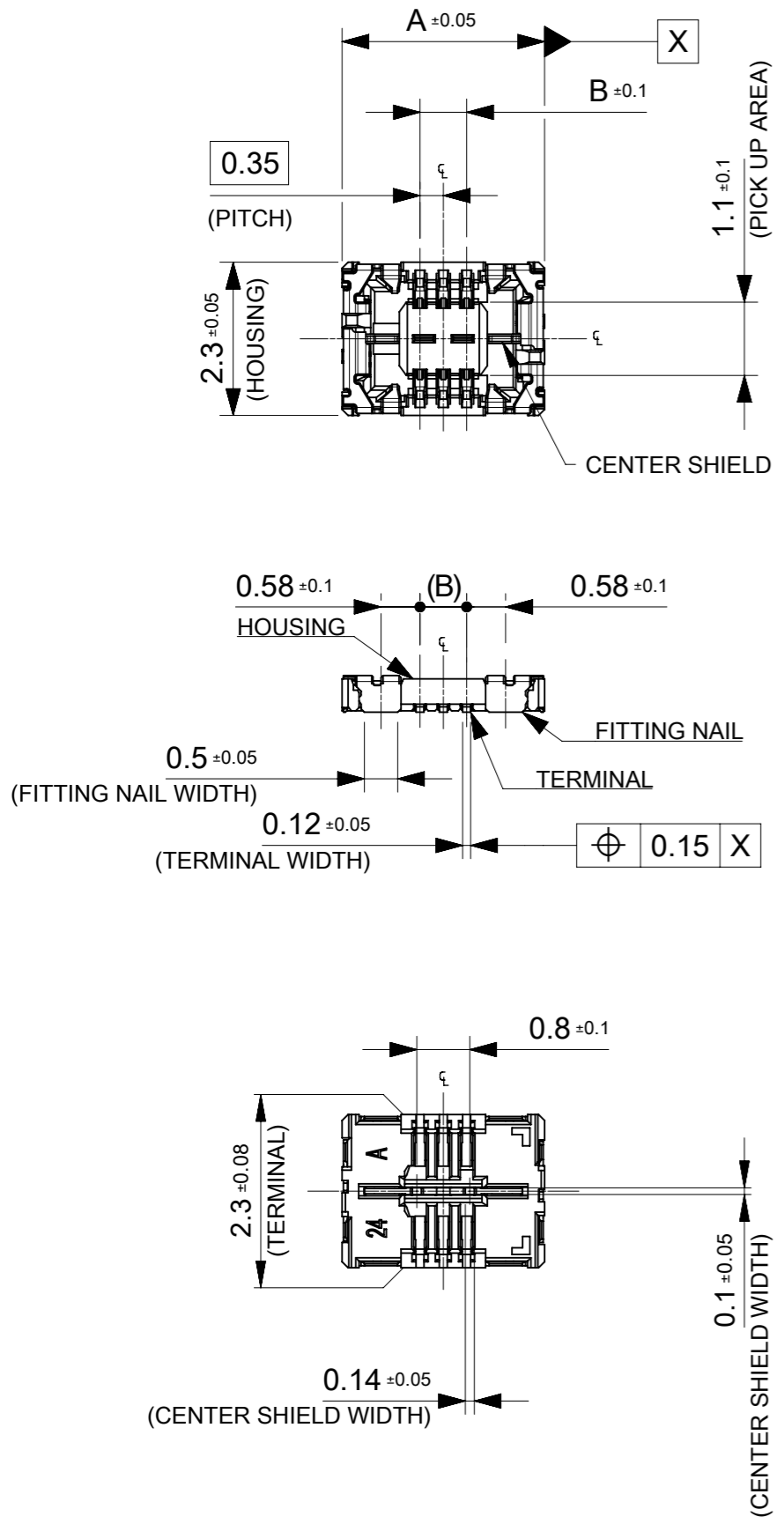
1

FORMAT: master-ib-prod-A3
 REVISION: J
 DATE: 2020/01/14



2153600064	7.5	3.17	16	21.4	17.4	○	---	6
ORDER NO.	J	H	G	F	E	HIGH VOL. TOOL	LOW VOL. TOOL	Ckt.
						SAMPLE PREPARATION ○ : TOOLED △ : WORK IN PROCESS --- : TOOLING TO BE CONFIRMED		
CONNECTOR SERIES No.						215360****		

THIS DRAWING CONTAINS INFORMATION THAT IS PROPRIETARY TO MOLEX ELECTRONIC TECHNOLOGIES, LLC AND SHOULD NOT BE USED WITHOUT WRITTEN PERMISSION		CURRENT REV DESC:		molex	
DIMENSION UNITS	SCALE	EC NO: 668673			
mm	2:1	DRWN: RMIYAMOTO 2021/06/30		5G15 (6+4P RF) REC EMOSS PACKAGE	
GENERAL TOLERANCES (UNLESS SPECIFIED)		CHK'D: KSASAKI 2021/06/30		PRODUCT CUSTOMER DRAWING	
ANGULAR TOL	± °	APPR: YKOBAYASHI02 2021/06/30		DOCUMENT NUMBER	
4 PLACES	±	INITIAL REVISION:		2153600000-SD	
3 PLACES	±	DRWN: RMIYAMOTO 2021/06/25		DOC TYPE	DOC PART
2 PLACES	±	APPR: YKOBAYASHI02 2021/06/30		PSD	000
1 PLACE	±	MATERIAL NUMBER		CUSTOMER	REVISION
0 PLACES	±	SEE CHART		GENERAL	A
DRAFT WHERE APPLICABLE MUST REMAIN WITHIN DIMENSIONS		THIRD ANGLE PROJECTION	DRAWING	SERIES	SHEET NUMBER
			A3-SIZE	215360	2 OF 2



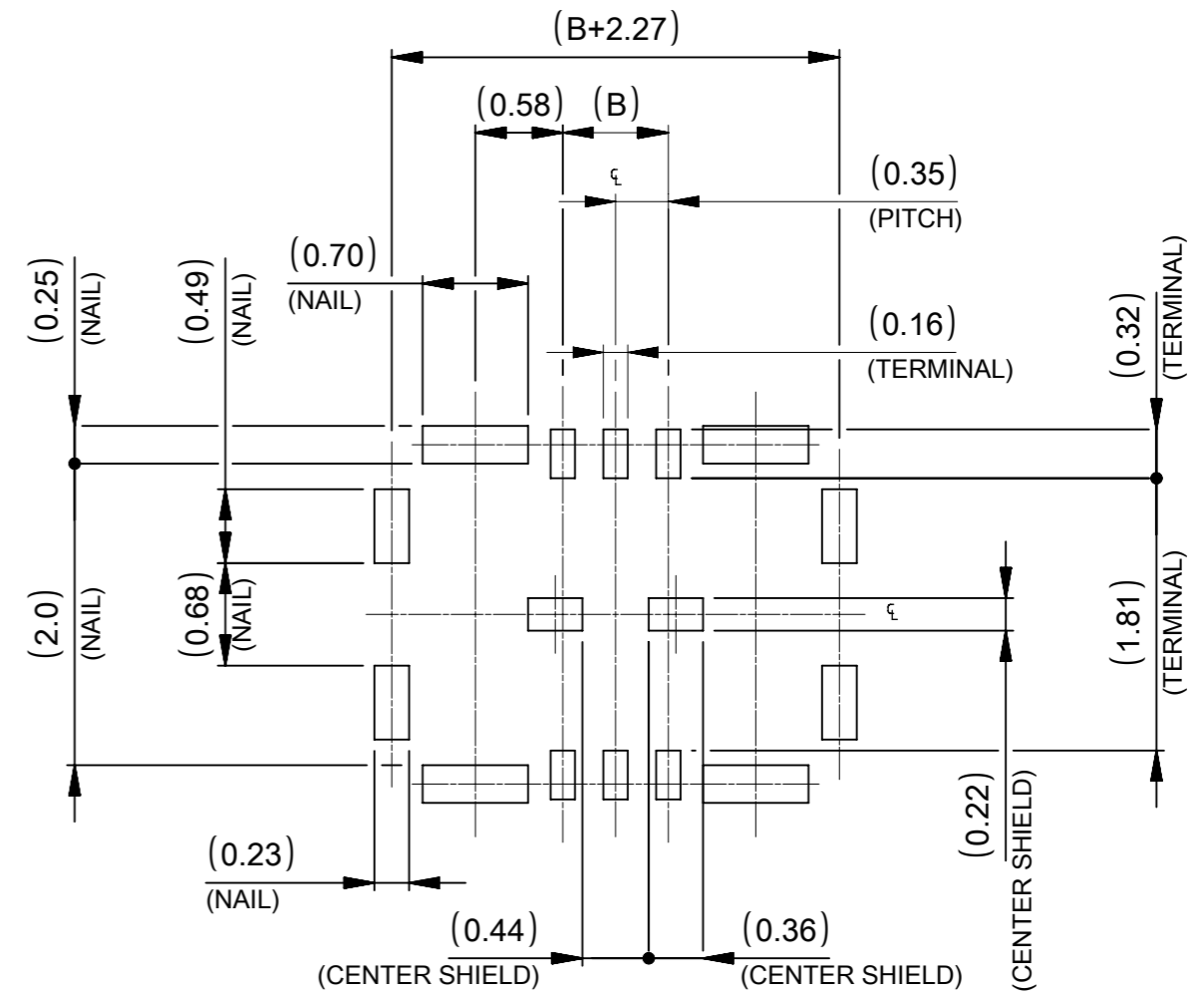
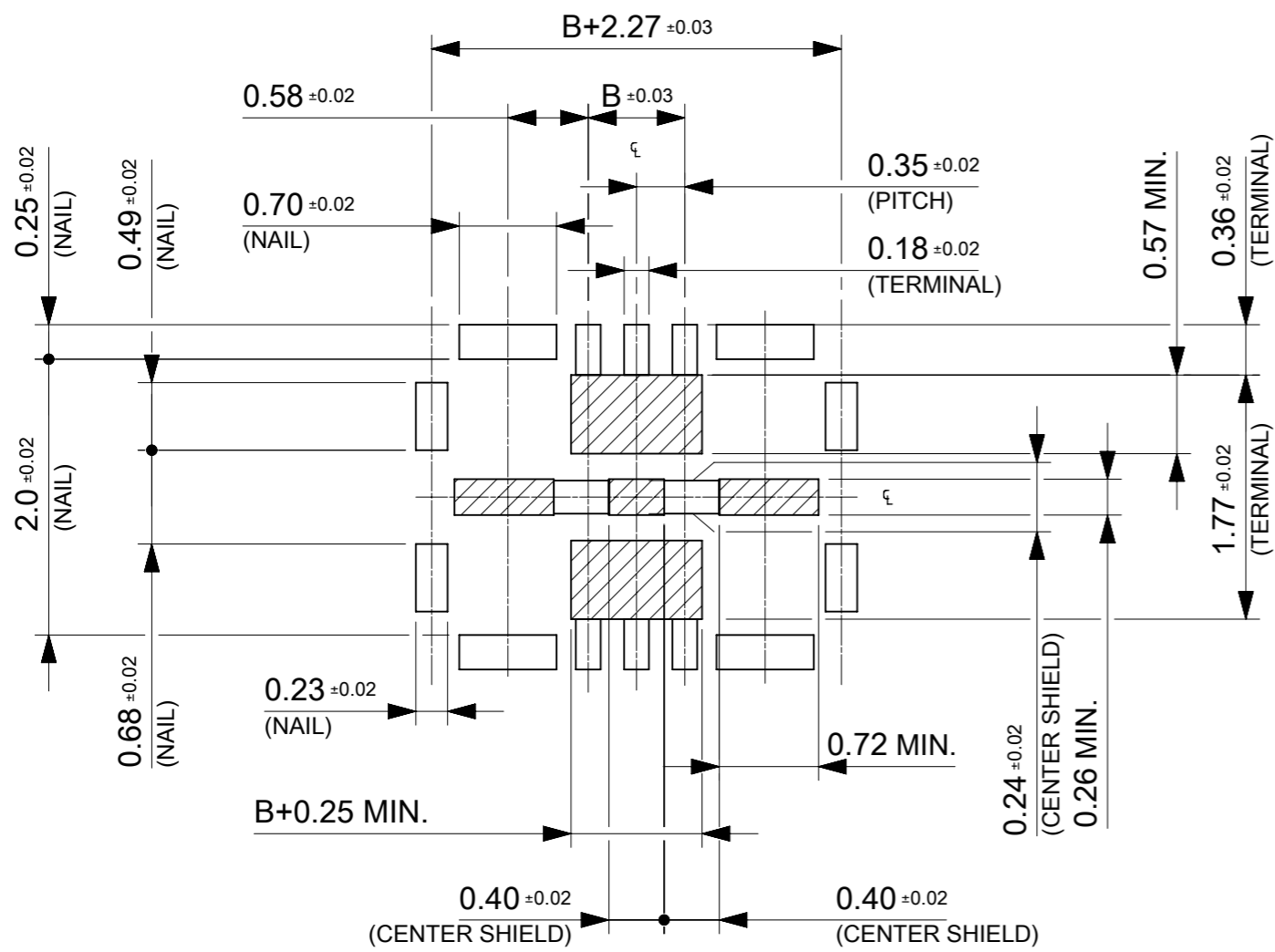
NOTES

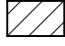
- MATERIAL
 HOUSING : LIQUID CRYSTAL POLYMER UL94V-0(COLOR : BLACK)
 TERMINAL : COPPER ALLOY
 FITTING NAIL : COPPER ALLOY
 CENTER SHIELD : COPPER ALLOY
- PLATING
 TERMINAL:
 CONTACT AREA : GOLD 0.1 μm MIN.
 TAIL AREA : GOLD 0.05 μm MIN.
 UNDER PLATING : NICKEL 1.0 μm MIN.
 *DIVIDE INTO PARTS THE GOLD PLATING OF THE CONTACT AND THE TAIL PART BY THE NICKEL PLATING.
 FITTING NAIL:
 CONTACT AREA : GOLD 0.1 μm MIN.
 TAIL AREA : GOLD 0.05 μm MIN.
 UNDER PLATING : NICKEL 1.0 μm MIN.
 *DIVIDE INTO PARTS THE GOLD PLATING OF THE CONTACT AND THE TAIL PART BY THE NICKEL PLATING.
 *EVEN THOUGH GOLD PLATING ON THE TOP SURFACE OF NAIL MIGHT BE THIN, NO FUNCTIONAL PROBLEM.
 CENTER SHIELD:
 CONTACT AREA : GOLD 0.1 μm MIN.
 TAIL AREA : GOLD 0.05 μm MIN.
 UNDER PLATING : NICKEL 1.0 μm MIN.
 *DIVIDE INTO PARTS THE GOLD PLATING OF THE CONTACT AND THE TAIL PART BY THE NICKEL PLATING.
- MATE WITH :2153610064
- TERMINAL, FITTING NAIL AND CENTER SHIELD COPLANARITY TO BE 0.08MAXIMUM.

0.70	3.04	2153600064	○	---	6
B	A	EMBOSSED TAPE PACKAGE	HIGH VOL. TOOL	LOW VOL. TOOL	SIGNAL CIRCUIT
		ORDER No.	SAMPLE PREPARATION ○:TOOLED △:WORK IN PROCESS ---:TOOLING TO BE CONFIRMED		

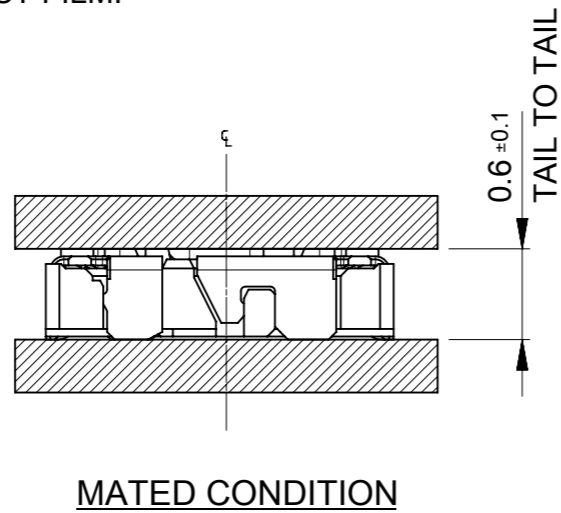
THIS DRAWING CONTAINS INFORMATION THAT IS PROPRIETARY TO MOLEX ELECTRONIC TECHNOLOGIES, LLC AND SHOULD NOT BE USED WITHOUT WRITTEN PERMISSION

DIMENSION UNITS mm	SCALE 10:1	CURRENT REV DESC:		molex		
GENERAL TOLERANCES (UNLESS SPECIFIED)		EC NO: 668673				
ANGULAR TOL	± 3.0 °	DRWN: RMIYAMOTO 2021/06/30		PRODUCT CUSTOMER DRAWING		
4 PLACES	± 0.03	CHK'D: KSASAKI 2021/06/30		DOCUMENT NUMBER		
3 PLACES	± 0.03	APPR: YKOBAYASHI02 2021/06/30		2153601000-SD		DOC TYPE
2 PLACES	± 0.05	INITIAL REVISION:		PSD	000	REVISION
1 PLACE	± 0.1	DRWN: RMIYAMOTO 2021/06/25		A		
0 PLACES	± 0.2	APPR: YKOBAYASHI02 2021/06/30		SHEET NUMBER		
DRAFT WHERE APPLICABLE MUST REMAIN WITHIN DIMENSIONS		THIRD ANGLE PROJECTION	DRAWING	SERIES	MATERIAL NUMBER	CUSTOMER
		⊕	A3-SIZE	215360	SEE CHART	GENERAL




RECOMMENDED P.W. BOARD PATTERN LAYOUT (REFERENCE)
SOLDERING PROHIBITED AREA
 WHEN WIRING IS LOCATED, THE WIRING MUST BE MASKED BY COVER LAY OR RESIST FILM.

RECOMMENDED METAL MASK LAYOUT (REFERENCE)
RECOMMENDED THICKNESS OF METAL MASK : t=0.08mm



THIS DRAWING CONTAINS INFORMATION THAT IS PROPRIETARY TO MOLEX ELECTRONIC TECHNOLOGIES, LLC AND SHOULD NOT BE USED WITHOUT WRITTEN PERMISSION		CURRENT REV DESC:		molex	
DIMENSION UNITS	SCALE				
mm	20:1			0.35BB CONN. H=0.6 5G15 (6+4P RF) REC	
GENERAL TOLERANCES (UNLESS SPECIFIED)				PRODUCT CUSTOMER DRAWING	
ANGULAR TOL	± 3.0 °			DOCUMENT NUMBER	
4 PLACES	± 0.03	EC NO: 668673		2153601000-SD	
3 PLACES	± 0.03	DRWN: RMIYAMOTO 2021/06/30		DOC TYPE	
2 PLACES	± 0.05	CHK'D: KSASAKI 2021/06/30		PSD	
1 PLACE	± 0.1	APPR: YKOBAYASHI02 2021/06/30		DOC PART	
0 PLACES	± 0.2	INITIAL REVISION:		000	
DRAFT WHERE APPLICABLE MUST REMAIN WITHIN DIMENSIONS		DRWN: RMIYAMOTO 2021/06/25		REVISION	
THIRD ANGLE PROJECTION		APPR: YKOBAYASHI02 2021/06/30		A	
DRAWING		SERIES		SHEET NUMBER	
A3-SIZE		215360		2 OF 2	
MATERIAL NUMBER		CUSTOMER			
SEE CHART		GENERAL			