

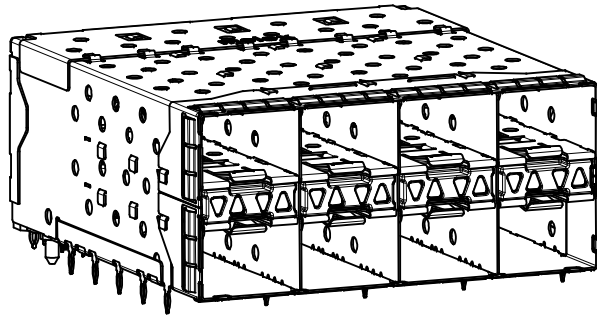
**NOTES**

- MATERIAL:**  
 CAGE: NICKEL SILVER, THICKNESS: 0.25mm  
 CONNECTOR HOUSING: GLASS FILLED LIQUID CRYSTAL POLYMER (LCP), UL 94V-0, COLOR: BLACK  
 OVERMOLD TERMINAL HOUSING: GLASS FILLED LIQUID CRYSTAL POLYMER (LCP), UL 94V-0, COLOR: BLACK  
 TERMINALS: TIN BRASS  
 EMI GASKET: CONDUCTIVE ELASTOMER  
 LIGHTPIPE HOUSING: ZINC  
 LIGHTPIPES: POLYCARBONATE, COLOR: CLEAR
- FINISHES:**  
 TERMINALS: CONTACT AREA - 0.76 MICROMETERS MINIMUM HARD GOLD OVER 1.27 MICROMETERS MINIMUM NICKEL.  
 COMPLIANT TAIL - 0.76 TO 1.52 MICROMETERS MATTE TIN OVER 0.76 MICROMETERS MINIMUM NICKEL.  
 LIGHTPIPE HOUSING: 80 MICROMETERS MINIMUM NICKEL OVER COPPER
- REFER TO PS-75310-001 PRODUCT SPEC FOR ALL ELECTRICAL, MECHANICAL, AND ENVIRONMENTAL SPECIFICATIONS.
- LIGHTPIPE PAD LAYOUT IS FOR 0805 LOW-PROFILE LED PACKAGE. FOR OTHER RECOMMENDED LAYOUTS REFER TO MOLEX'S REPORT TS-75310-001.
- REFER TO PK-75450-001 FOR ALL PACKAGING SPECIFICATIONS.
- THE SURFACES CONFORM TO THE MOLEX COSMETIC SPEC PS-45499-002. ALL EXTERIOR SURFACES TO BE CLASS "B" SURFACE EXCEPT THE UNDERSIDE (CLASS "C") OF THE CAGE (SIDE TOWARD THE PCB) AND AS OTHERWISE NOTED.
- THE OVERALL CAGE WIDTH AT THE VERTICAL CENTER OF THE FRONT EDGE WILL FALL WITHIN THIS DIMENSION: 57.80+/-0.30 MM. THIS PORTION OF THE CAGE WILL FLEX INWARD AS THE CAGE IS BEING INSERTED INTO THE BEZEL OPENING.
- REFER TO AS-76090-001 FOR HIGH SPEED ROUTING RECOMMENDATIONS.
- DATE CODE LOCATION IS SHOWN ABOVE.  
 DATE CODE FORMAT: DDDY MX A1  
 DDD = DAY OF THE YEAR  
 Y = YEAR  
 MX = MOLEX  
 A = ALPHA CHARACTER - INDICATES MANUFACTURING LINE  
 1 = NUMERIC CHARACTER - INDICATES PRODUCTION SHIFT

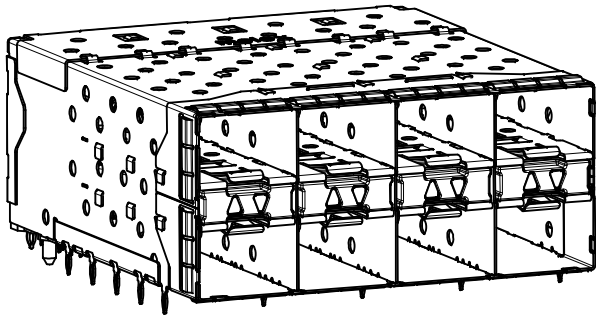
# ENHANCED EMI VERSION

PART NUMBER	LIGHTPIPE CONFIGURATION (SEE VIEWS ON SHEET 2)
760467101	4 LIGHT PORTS
	INNER 2 PORTS
	OUTER 2 PORTS

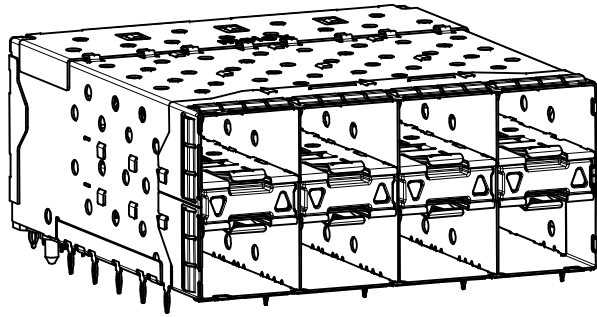
<b>INITIAL RELEASE</b> EC NO: UCP2015-2383 DRWN:BBARKER 2014/12/09 CHKD:TIBARRA 2014/12/09 APPR:SMILLER 2015/03/17	QUALITY SYMBOLS ▽=0 ▽=0 ▽=0	GENERAL TOLERANCES (UNLESS SPECIFIED)		DIMENSION STYLE <b>MM ONLY</b>		SCALE <b>3:1</b>	DESIGN UNITS <b>METRIC</b>	THIRD ANGLE PROJECTION 
		mm	INCH	DRAWN BY BBARKER	DATE 2014/12/09	TITLE <b>STACKED SFP+ 2X4 ASS'Y          W/ METAL EMI GASKET AND          LIGHTPIPES, ENHANCED EMI</b>		
		4 PLACES ± ---	± ---	CHECKED BY	DATE			
		3 PLACES ± ---	± ---	APPROVED BY SMILLER		DATE 2015/03/17	DOCUMENT NO. <b>RSD-76046-0003</b>	
2 PLACES ± 0.13	± ---	MATERIAL NO. <b>SEE TABLE</b>		SHEET NO. 1 OF 5				
1 PLACE ± 0.25	± ---	DRAFT WHERE APPLICABLE MUST REMAIN WITHIN DIMENSIONS		THIS DRAWING CONTAINS INFORMATION THAT IS PROPRIETARY TO MOLEX INCORPORATED AND SHOULD NOT BE USED WITHOUT WRITTEN PERMISSION				
0 PLACE ±	±							



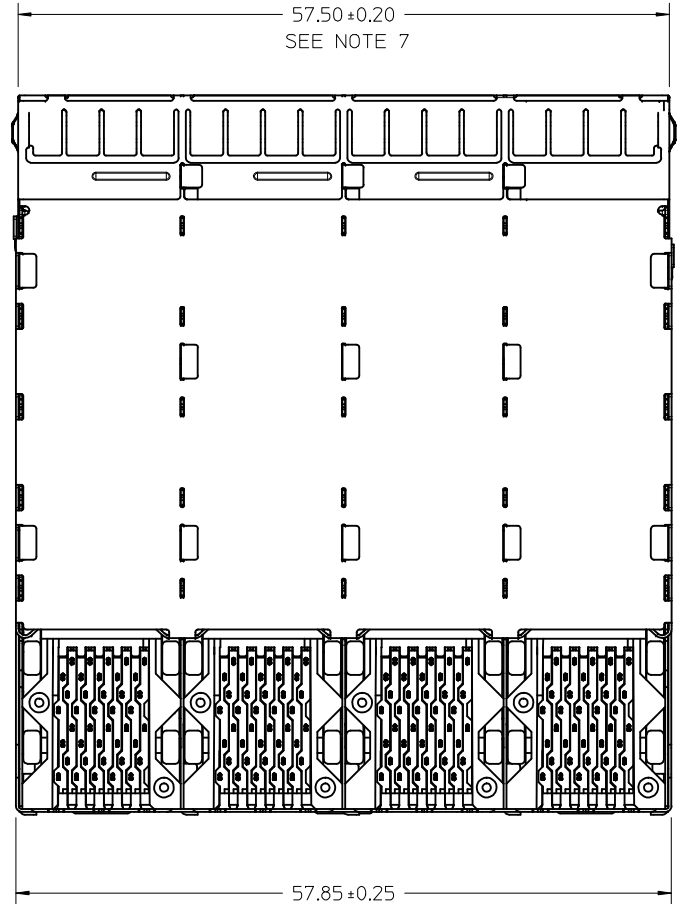
760467101  
WITH INNER AND OUTER LIGHTPIPES



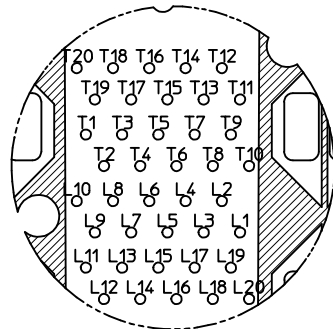
WITH INNER LIGHTPIPES



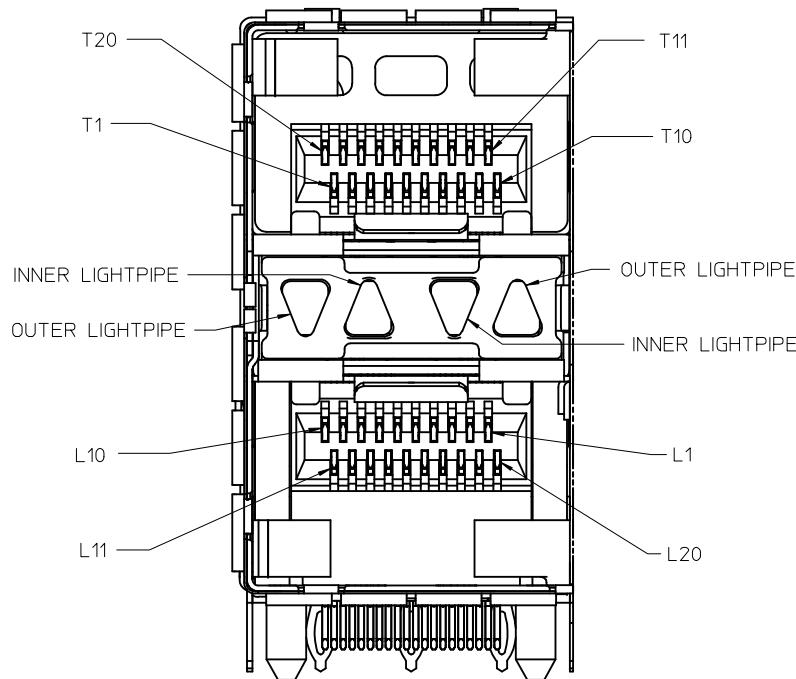
WITH OUTER LIGHTPIPES



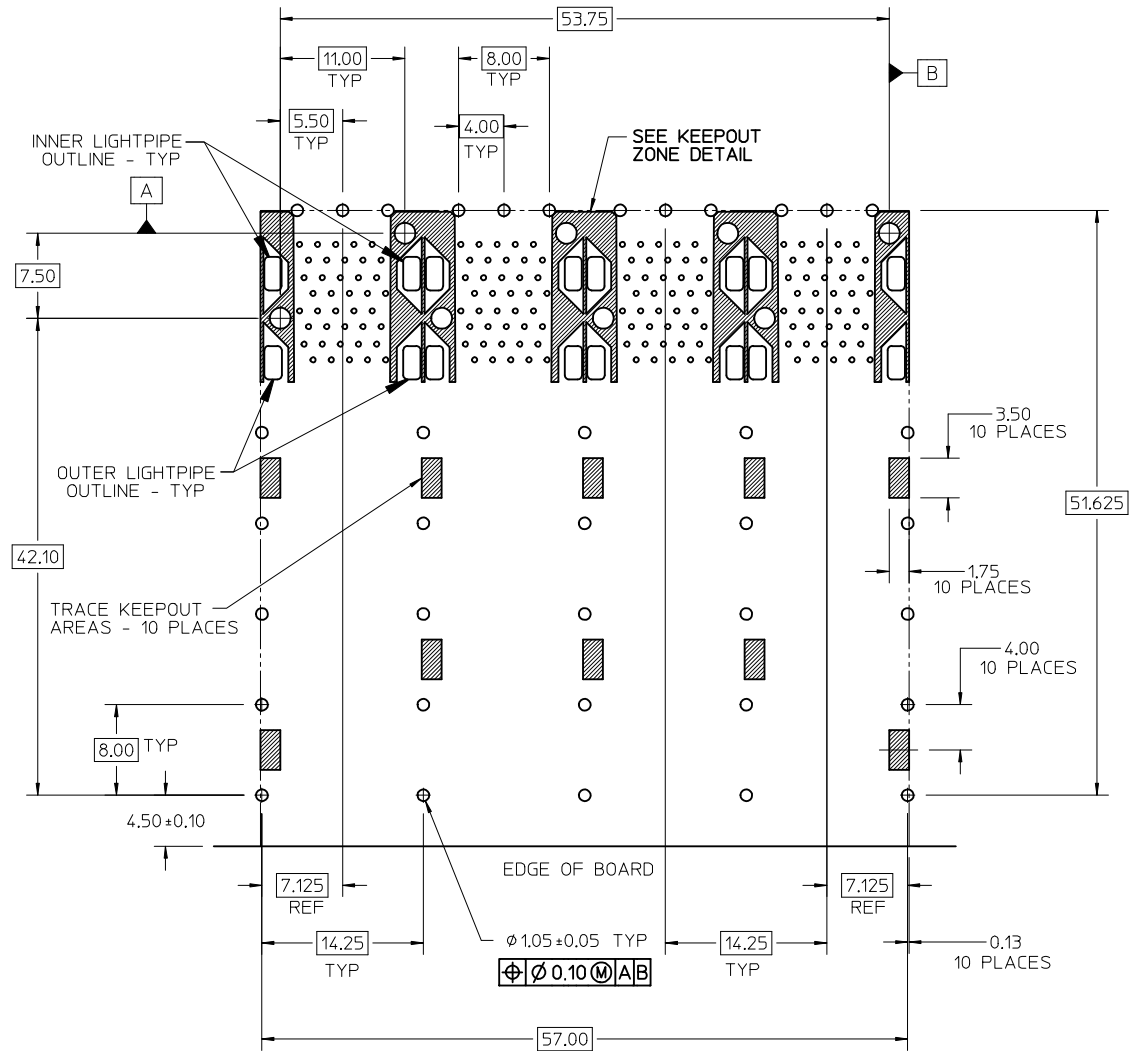
SEE SHEET 1 EC NO: UCP2015-2383 DRWN:BBARKER 2014/12/09 CHKD:TIBARRA 2014/12/09 APPR:SMILLER 2015/03/17	QUALITY SYMBOLS ▽=0 ▽=0 ▽=0	GENERAL TOLERANCES (UNLESS SPECIFIED)		DIMENSION STYLE <b>MM ONLY</b>		SCALE 3:1	DESIGN UNITS METRIC	THIRD ANGLE PROJECTION		
		4 PLACES ± --- ± ---	3 PLACES ± --- ± ---	DRAWN BY BBARKER	DATE 2014/12/09	TITLE STACKED SFP+ 2X4 ASS'Y W/ METAL EMI GASKET AND LIGHTPIPES, ENHANCED EMI  <b>molex</b>				
		2 PLACES ± 0.13 ± ---	1 PLACE ± 0.25 ± ---	CHECKED BY DATE						
		0 PLACE ± ±	ANGULAR ± 5 °	APPROVED BY SMILLER		DATE 2015/03/17	DOCUMENT NO. RSD-76046-0003		SHEET NO. 2 OF 5	
DRAFT WHERE APPLICABLE MUST REMAIN WITHIN DIMENSIONS		SEE TABLE		THIS DRAWING CONTAINS INFORMATION THAT IS PROPRIETARY TO MOLEX INCORPORATED AND SHOULD NOT BE USED WITHOUT WRITTEN PERMISSION						



CIRCUIT NUMBERING  
COMPONENT SIDE OF BOARD  
SCALE 6:1

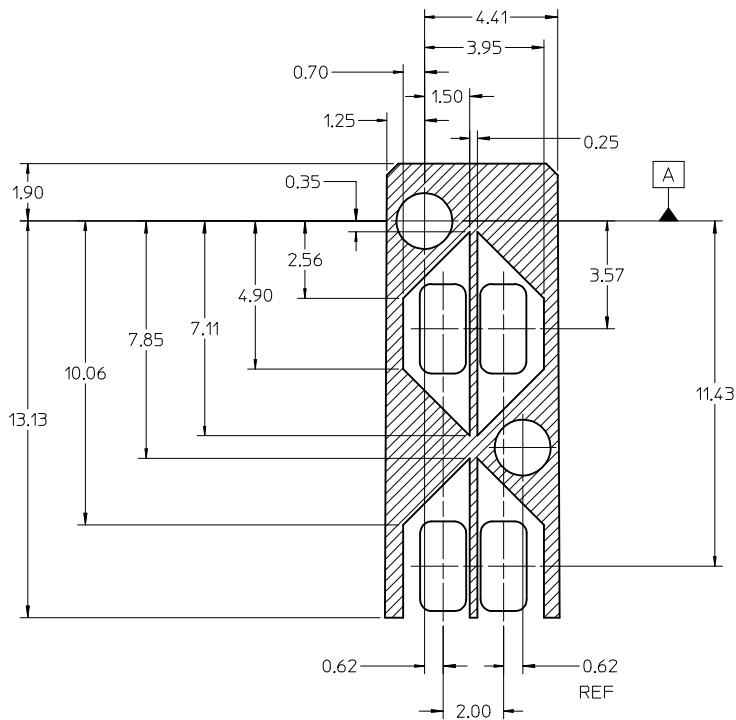


DETAIL A  
SCALE 6:1  
CIRCUIT NUMBERING  
AND LIGHTPIPE  
IDENTIFICATION



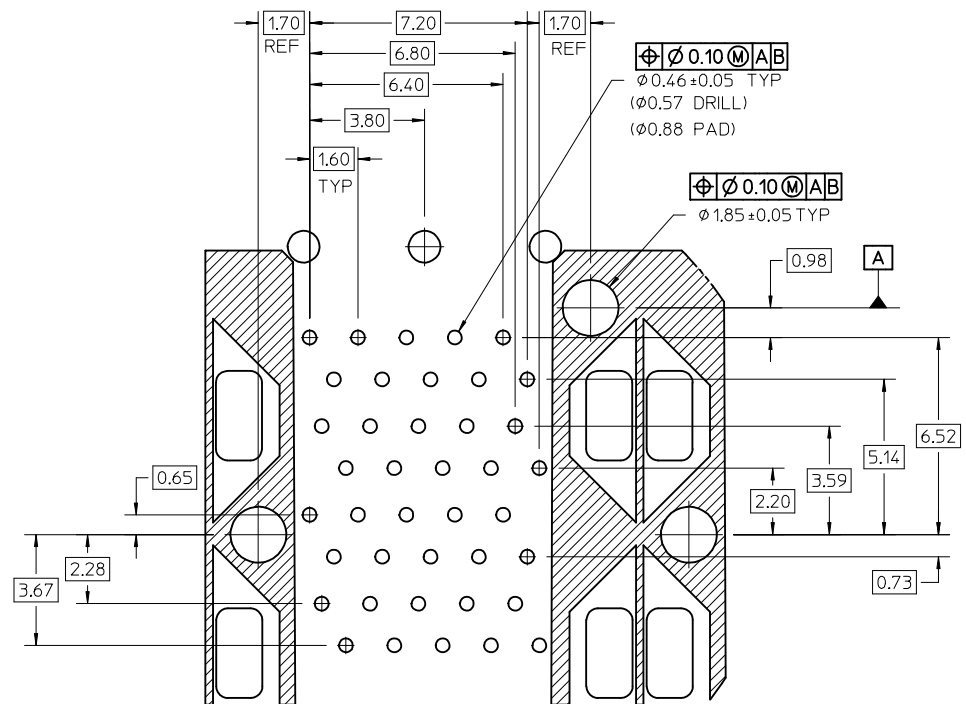
RECOMMENDED PCB LAYOUT - COMPONENT SIDE  
RECOMMENDED PCB THICKNESS - 2.36 MM (.093 INCH)  
THE ENTIRE AREA OF THE CONNECTOR FOOTPRINT  
TO BE CONSIDERED THE KEEPOUT AREA FOR COMPONENTS  
(OTHER THAN THE LIGHTPIPE LED'S)  
THIS AREA IS INDICATED BY THE DASHED LINE

SEE SHEET 1 EC NO: UCP2015-2383 DRWN:BBARKER 2014/12/09 CHKD:TIBARRA 2014/12/09 APPR:SMILLER 2015/03/17	QUALITY SYMBOLS	GENERAL TOLERANCES (UNLESS SPECIFIED)	DIMENSION STYLE MM ONLY	SCALE 3:1	DESIGN UNITS METRIC	THIRD ANGLE PROJECTION
	▽=0	mm INCH	DRAWN BY DATE BBARKER 2014/12/09	TITLE STACKED SFP+ 2X4 ASS'Y W/ METAL EMI GASKET AND LIGHTPIPES, ENHANCED EMI	molex	SHEET NO. 3 OF 5
	▽=0	4 PLACES ± --- ± ---	CHECKED BY DATE	DOCUMENT NO. RSD-76046-0003		
	▽=0	3 PLACES ± --- ± ---	APPROVED BY DATE SMILLER 2015/03/17			
▽=0	2 PLACES ± 0.13 ± ---	MATERIAL NO.				
		1 PLACE ± 0.25 ± ---	SEE TABLE	THIS DRAWING CONTAINS INFORMATION THAT IS PROPRIETARY TO MOLEX INCORPORATED AND SHOULD NOT BE USED WITHOUT WRITTEN PERMISSION		
		0 PLACE ± ±	SIZE C			
		ANGULAR ± 5 °				
		DRAFT WHERE APPLICABLE MUST REMAIN WITHIN DIMENSIONS				



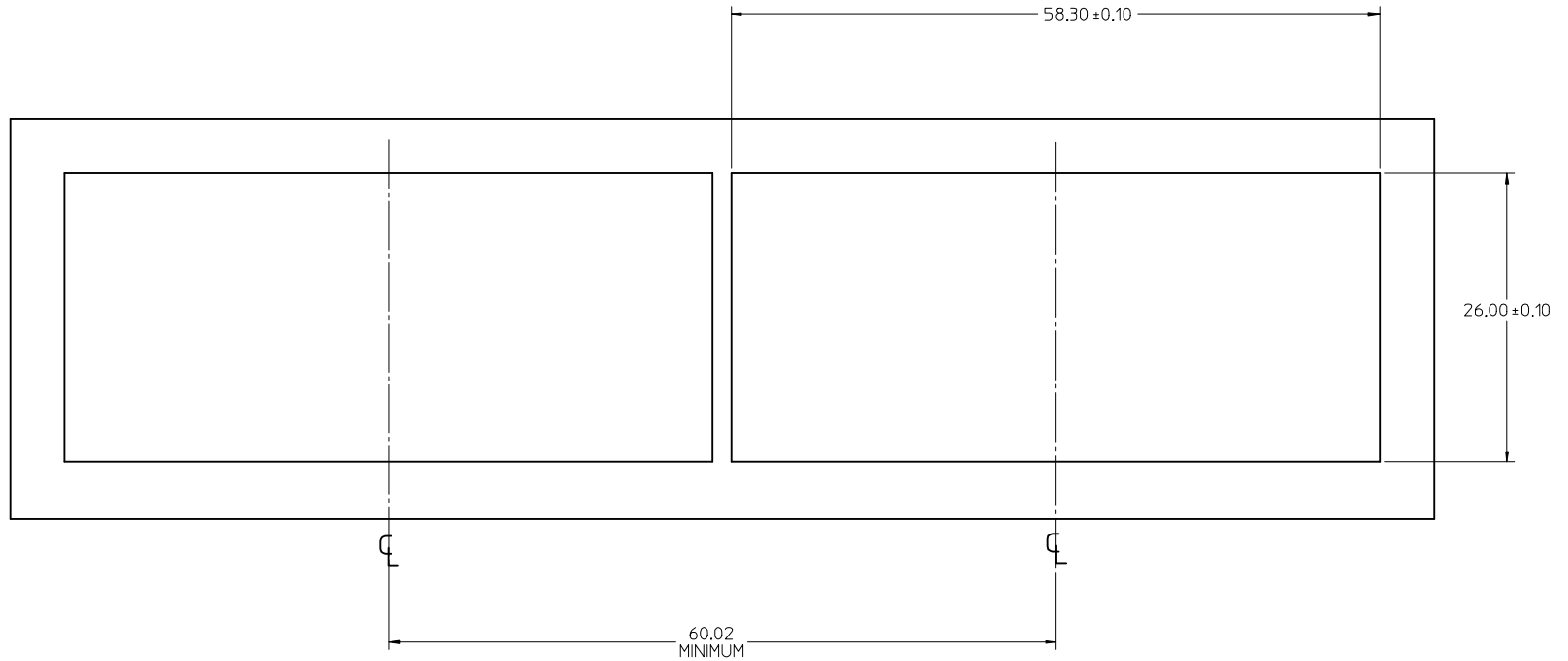
KEEPOUT ZONE DETAIL - LIGHTPIPE LOCATION AND OTHER ZONES  
SCALE 8:1

THE HATCHED AREA IN THIS VIEW INDICATES ZONES THAT ARE OCCUPIED BY THE PLASTIC HOUSING THAT SEATS AGAINST THE PCB AND BY THE VERTICAL METAL CAGE WALL THAT STOPS JUST SHORT OF THE PCB

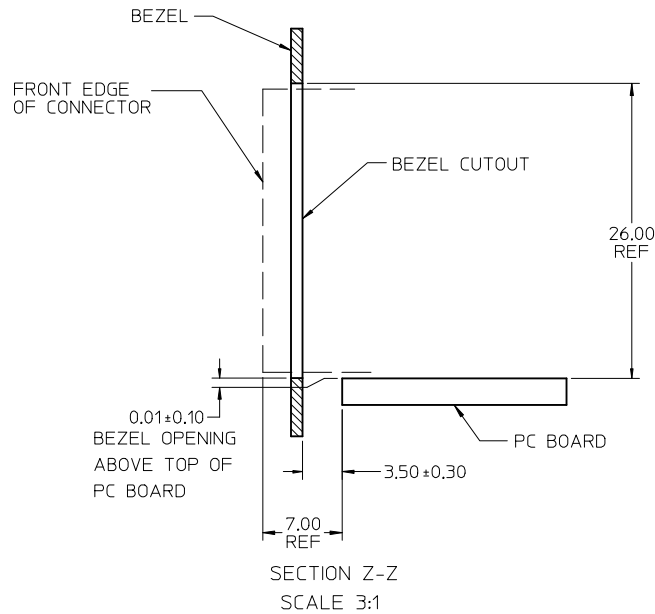


DETAIL B  
SCALE 8:1

<b>SEE SHEET 1</b> EC NO: UCP2015-2383 DRAWN BY: DRWINBBARKER 2014/12/09 CHKD: TIBARRA 2014/12/09 APPR: SMILLER 2015/03/17	QUALITY SYMBOLS	GENERAL TOLERANCES (UNLESS SPECIFIED) <table border="1"> <tr> <th></th> <th>mm</th> <th>INCH</th> </tr> <tr> <td>4 PLACES</td> <td>± 0.13</td> <td>± 0.005</td> </tr> <tr> <td>3 PLACES</td> <td>± 0.25</td> <td>± 0.010</td> </tr> <tr> <td>2 PLACES</td> <td>± 0.50</td> <td>± 0.020</td> </tr> <tr> <td>1 PLACE</td> <td>± 1.00</td> <td>± 0.040</td> </tr> <tr> <td>0 PLACE</td> <td>± 1.50</td> <td>± 0.060</td> </tr> </table>		mm	INCH	4 PLACES	± 0.13	± 0.005	3 PLACES	± 0.25	± 0.010	2 PLACES	± 0.50	± 0.020	1 PLACE	± 1.00	± 0.040	0 PLACE	± 1.50	± 0.060	DIMENSION STYLE <b>MM ONLY</b>	SCALE <b>8:1</b>	DESIGN UNITS <b>METRIC</b>	THIRD ANGLE PROJECTION <b>STACKED SFP+ 2X4 ASS'Y W/ METAL EMI GASKET AND LIGHTPIPES, ENHANCED EMI</b> <b>molex</b> DOCUMENT NO. <b>RSD-76046-0003</b> SHEET NO. <b>4 OF 5</b>
			mm	INCH																				
	4 PLACES		± 0.13	± 0.005																				
	3 PLACES		± 0.25	± 0.010																				
	2 PLACES		± 0.50	± 0.020																				
1 PLACE	± 1.00	± 0.040																						
0 PLACE	± 1.50	± 0.060																						
∇=0 ∇=0 ∇=0	DRAWN BY: BBARKER 2014/12/09 CHECKED BY: DATE:	APPROVED BY: SMILLER 2015/03/17 DATE:	MATERIAL NO. <b>SEE TABLE</b>	THIS DRAWING CONTAINS INFORMATION THAT IS PROPRIETARY TO MOLEX INCORPORATED AND SHOULD NOT BE USED WITHOUT WRITTEN PERMISSION																				
DRAFT WHERE APPLICABLE MUST REMAIN WITHIN DIMENSIONS	SIZE: C	THIS DRAWING CONTAINS INFORMATION THAT IS PROPRIETARY TO MOLEX INCORPORATED AND SHOULD NOT BE USED WITHOUT WRITTEN PERMISSION																						

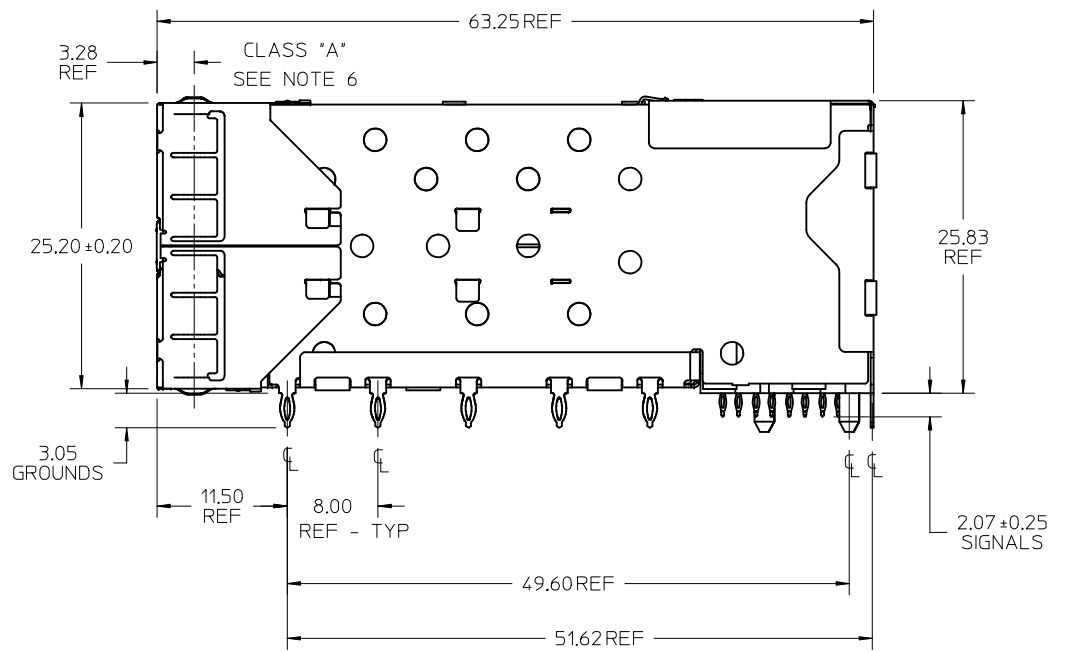
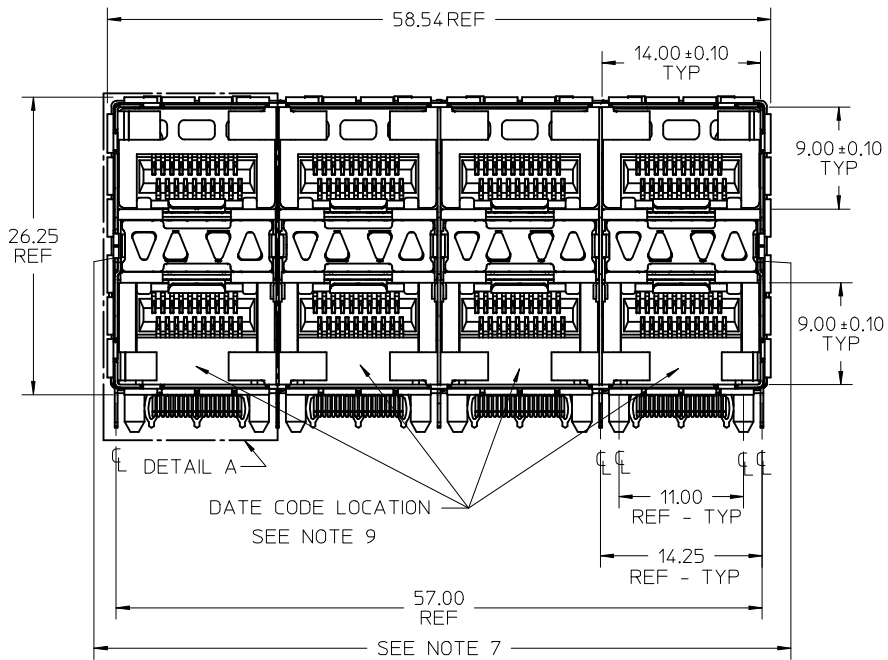


BEZEL CUTOUT CENTER SPACING DETAIL  
BEZEL THICKNESS 0.8-2.6



SECTION Z-Z  
SCALE 3:1

SEE SHEET 1 EC NO: UCP2015-2383 DRWN:BBARKER 2014/12/09 CHKD:TIBARRA 2014/12/09 APPR:SMILLER 2015/03/17	QUALITY SYMBOLS	GENERAL TOLERANCES (UNLESS SPECIFIED)	DIMENSION STYLE	SCALE	DESIGN UNITS	THIRD ANGLE PROJECTION
	▽=0	mm INCH	MM ONLY	3:1	METRIC	☉
	▽=0	4 PLACES ± --- ± ---	DRAWN BY DATE			TITLE
	▽=0	3 PLACES ± --- ± ---	BBARKER 2014/12/09			STACKED SFP+ 2X4 ASS'Y W/ METAL EMI GASKET AND LIGHTPIPES, ENHANCED EMI
		2 PLACES ± 0.13 ± ---	CHECKED BY DATE			<b>molex</b> DOCUMENT NO. RSD-76046-0003 SHEET NO. 5 OF 5
		1 PLACE ± 0.25 ± ---	APPROVED BY DATE			
		0 PLACE ± ±	SMILLER 2015/03/17			
		ANGULAR ± 5 °	MATERIAL NO.			
		DRAFT WHERE APPLICABLE MUST REMAIN WITHIN DIMENSIONS	SEE TABLE			
			SIZE C			



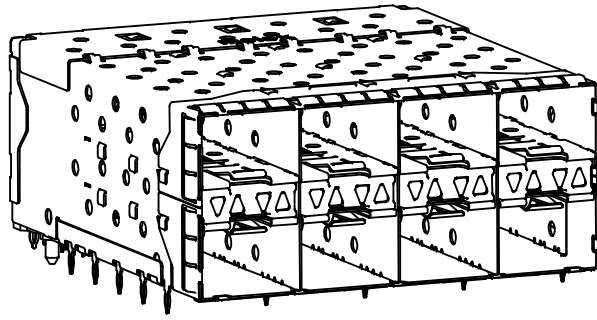
**NOTES**

- MATERIAL:**  
 CAGE: NICKEL SILVER, THICKNESS: 0.25mm  
 CONNECTOR HOUSING: GLASS FILLED LIQUID CRYSTAL POLYMER (LCP), UL 94V-0, COLOR: BLACK  
 OVERMOLD TERMINAL HOUSING: GLASS FILLED LIQUID CRYSTAL POLYMER (LCP), UL 94V-0, COLOR: BLACK  
 TERMINALS: TIN BRASS  
 EMI GASKET: PHOS-BRONZE  
 LIGHTPIPE HOUSING: ZINC  
 LIGHTPIPES: POLYCARBONATE, COLOR: CLEAR
- FINISHES:**  
 TERMINALS: CONTACT AREA - 0.76 MICROMETERS MINIMUM HARD GOLD OVER 1.27 MICROMETERS MINIMUM NICKEL.  
 COMPLIANT TAIL - 0.76 TO 1.52 MICROMETERS MATTE TIN OVER 0.76 MICROMETERS MINIMUM NICKEL.  
 LIGHTPIPE HOUSING: 80 MICROMETERS MINIMUM NICKEL OVER COPPER  
 EMI GASKET: 2.54 MICROMETERS MINIMUM NICKEL OVERALL
- REFER TO PS-75310-001 PRODUCT SPEC FOR ALL ELECTRICAL, MECHANICAL, AND ENVIRONMENTAL SPECIFICATIONS.
- LIGHTPIPE PAD LAYOUT IS FOR 0805 LOW-PROFILE LED PACKAGE, FOR OTHER RECOMMENDED LAYOUTS REFER TO MOLEX'S REPORT TS-75310-001.
- REFER TO PK-75450-001 FOR ALL PACKAGING SPECIFICATIONS.
- THE SURFACES CONFORM TO THE MOLEX COSMETIC SPEC PS-45499-002. ALL EXTERIOR SURFACES TO BE CLASS "B" SURFACE EXCEPT THE UNDERSIDE (CLASS "C") OF THE CAGE (SIDE TOWARD THE PCB) AND AS OTHERWISE NOTED.
- THE OVERALL CAGE WIDTH AT THE VERTICAL CENTER OF THE FRONT EDGE WILL FALL WITHIN THIS DIMENSION: 57.80+/-0.30 MM. THIS PORTION OF THE CAGE WILL FLEX INWARD AS THE CAGE IS BEING INSERTED INTO THE BEZEL OPENING.
- REFER TO AS-76090-001 FOR HIGH SPEED ROUTING RECOMMENDATIONS.
- DATE CODE LOCATION IS SHOWN ABOVE.  
 DATE CODE FORMAT: DDDY MX A1  
 DDD = DAY OF THE YEAR  
 Y = YEAR  
 MX = MOLEX  
 A = ALPHA CHARACTER - INDICATES MANUFACTURING LINE  
 1 = NUMERIC CHARACTER - INDICATES PRODUCTION SHIFT

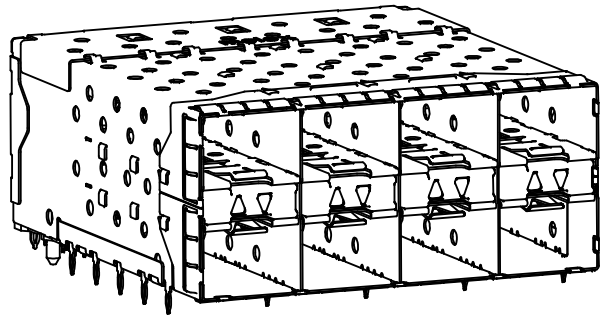
# ENHANCED EMI VERSION

PART NUMBER	LIGHTPIPE CONFIGURATION (SEE VIEWS ON SHEET 2)
760467001	4 LIGHT PORTS
760467002	INNER 2 PORTS
760467006	OUTER 2 PORTS - SPECIAL CONFIGURATION

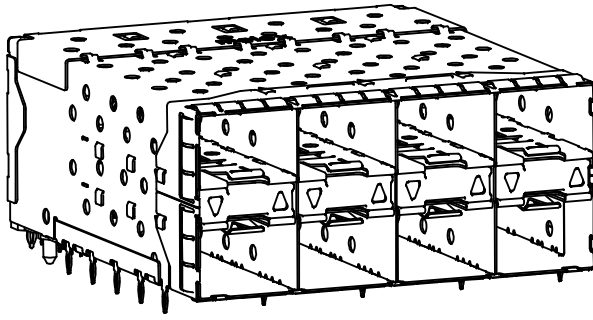
<b>REV. NOTES &amp;2 FOR EMI</b> EC NO: UCP2016-3489 DRWNS:VANG01 2016/03/07 CHKD:BBARKER 2016/03/07 APPR:SMILLER 2016/03/25	QUALITY SYMBOLS ▽=0 ▽=0 ▽=0	GENERAL TOLERANCES (UNLESS SPECIFIED) mm INCH 4 PLACES ± --- ± --- 3 PLACES ± --- ± --- 2 PLACES ± 0.13 ± --- 1 PLACE ± 0.25 ± --- 0 PLACE ± ±	DIMENSION STYLE <b>MM ONLY</b> DRAWN BY DATE TIBARRA 2012/08/09 CHECKED BY DATE BBARKER 2012/08/15 APPROVED BY DATE SMILLER 2012/08/28	SCALE <b>3:1</b> DESIGN UNITS <b>METRIC</b> THIRD ANGLE PROJECTION	<b>STACKED SFP+ 2X4 ASS'Y          W/ METAL EMI GASKET AND          LIGHTPIPES, ENHANCED EMI</b>  DOCUMENT NO. <b>SD-76046-0003</b> SHEET NO. <b>1 OF 5</b>
		ANGULAR ± 5 ° DRAFT WHERE APPLICABLE MUST REMAIN WITHIN DIMENSIONS	MATERIAL NO. <b>SEE TABLE</b>	THIS DRAWING CONTAINS INFORMATION THAT IS PROPRIETARY TO MOLEX INCORPORATED AND SHOULD NOT BE USED WITHOUT WRITTEN PERMISSION	
		SIZE <b>C</b>	THIS DRAWING CONTAINS INFORMATION THAT IS PROPRIETARY TO MOLEX INCORPORATED AND SHOULD NOT BE USED WITHOUT WRITTEN PERMISSION	THIS DRAWING CONTAINS INFORMATION THAT IS PROPRIETARY TO MOLEX INCORPORATED AND SHOULD NOT BE USED WITHOUT WRITTEN PERMISSION	
		THIS DRAWING CONTAINS INFORMATION THAT IS PROPRIETARY TO MOLEX INCORPORATED AND SHOULD NOT BE USED WITHOUT WRITTEN PERMISSION	THIS DRAWING CONTAINS INFORMATION THAT IS PROPRIETARY TO MOLEX INCORPORATED AND SHOULD NOT BE USED WITHOUT WRITTEN PERMISSION	THIS DRAWING CONTAINS INFORMATION THAT IS PROPRIETARY TO MOLEX INCORPORATED AND SHOULD NOT BE USED WITHOUT WRITTEN PERMISSION	



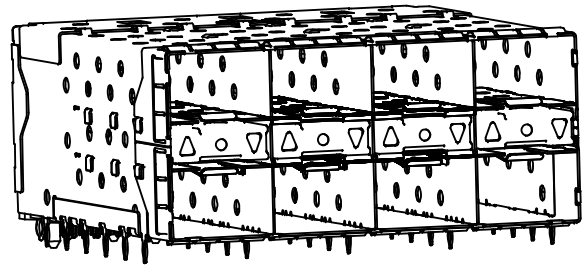
760467001  
WITH INNER AND OUTER LIGHTPIPES



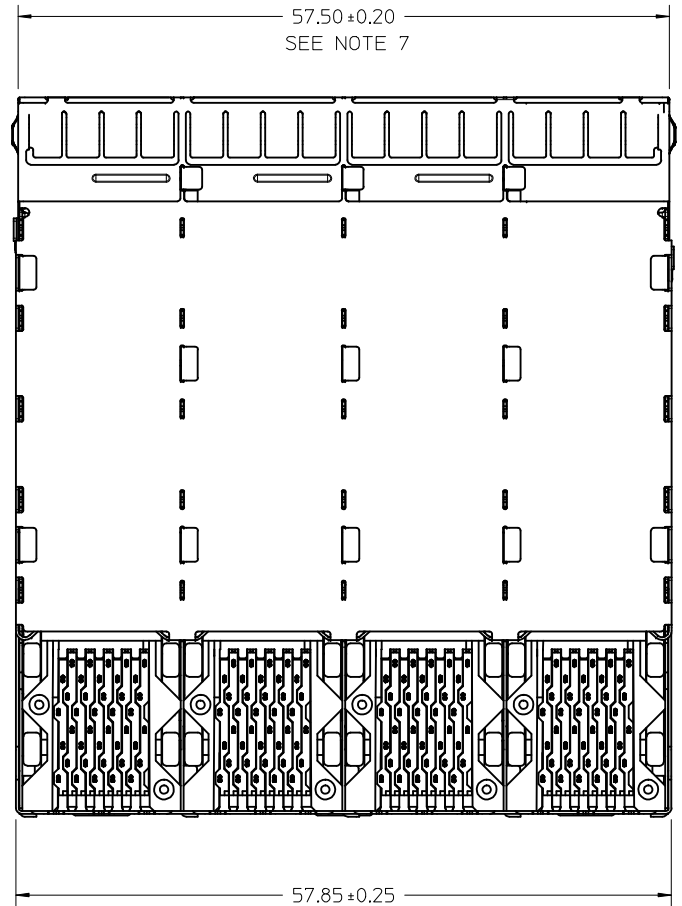
76046-7002  
WITH INNER LIGHTPIPES



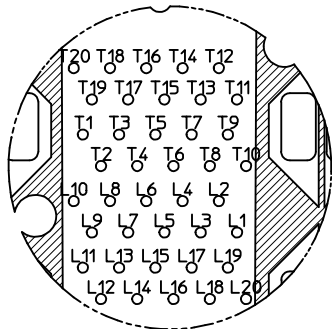
WITH OUTER LIGHTPIPES



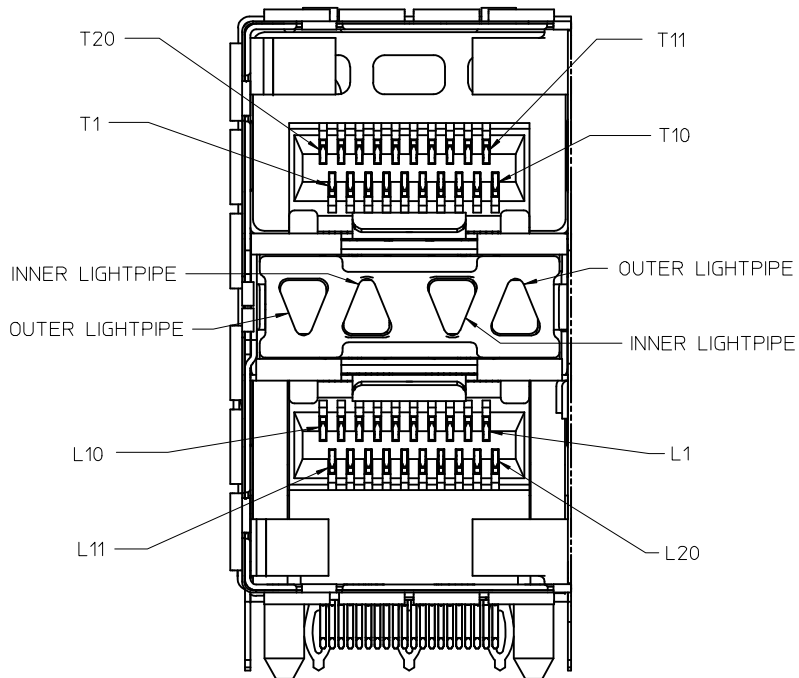
760467006  
WITH OUTER LIGHTPIPES  
SPECIAL CONFIGURATION



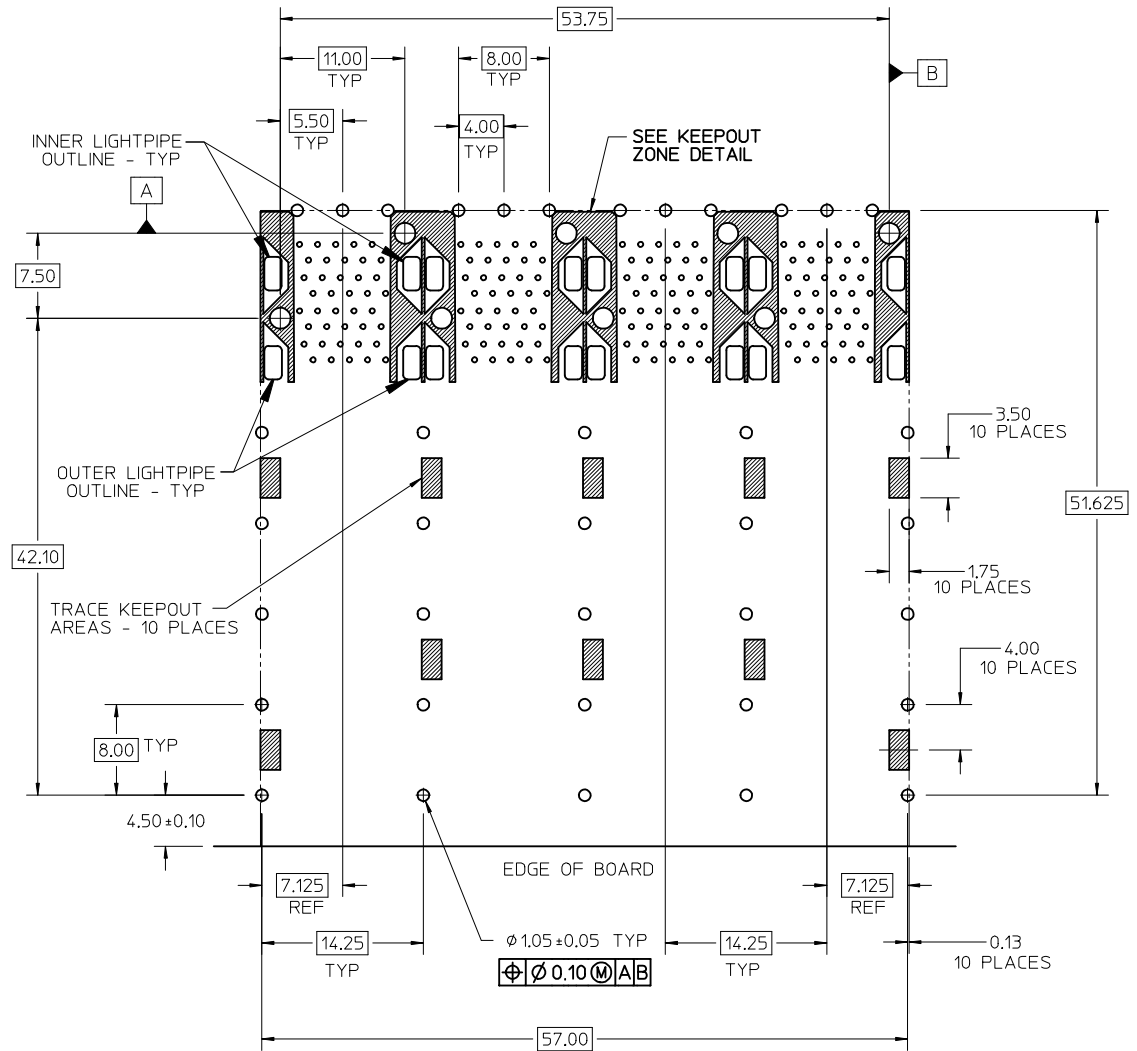
SEE SHEET 1 EC NO: UCP2016-3489 DRWNS:YANG01 2016/03/07 CHKD:BBARKER 2016/03/07 APPR:SMILLER 2016/03/25	QUALITY SYMBOLS = 0 = 0 = 0	GENERAL TOLERANCES (UNLESS SPECIFIED)		DIMENSION STYLE <b>MM ONLY</b>	SCALE <b>3:1</b>	DESIGN UNITS <b>METRIC</b>	<b>THIRD ANGLE PROJECTION</b>	
		4 PLACES ± --- ± --- 3 PLACES ± --- ± --- 2 PLACES ± 0.13 ± --- 1 PLACE ± 0.25 ± --- 0 PLACE ± ±	mm INCH ± --- ± --- ± --- ± --- ± --- ± --- ± --- ± ---	DRAWN BY TIBARRA	DATE 2012/08/09	TITLE <b>STACKED SFP+ 2X4 ASS'Y          W/ METAL EMI GASKET AND          LIGHTPIPES, ENHANCED EMI</b>		
		DRAFT WHERE APPLICABLE MUST REMAIN WITHIN DIMENSIONS		APPROVED BY SMILLER	DATE 2012/08/28	DOCUMENT NO. <b>SD-76046-0003</b>		SHEET NO. <b>2 OF 5</b>
				MATERIAL NO. <b>SEE TABLE</b>	THIS DRAWING CONTAINS INFORMATION THAT IS PROPRIETARY TO MOLEX INCORPORATED AND SHOULD NOT BE USED WITHOUT WRITTEN PERMISSION			



CIRCUIT NUMBERING  
COMPONENT SIDE OF BOARD  
SCALE 6:1



DETAIL A  
SCALE 6:1  
CIRCUIT NUMBERING  
AND LIGHTPIPE  
IDENTIFICATION

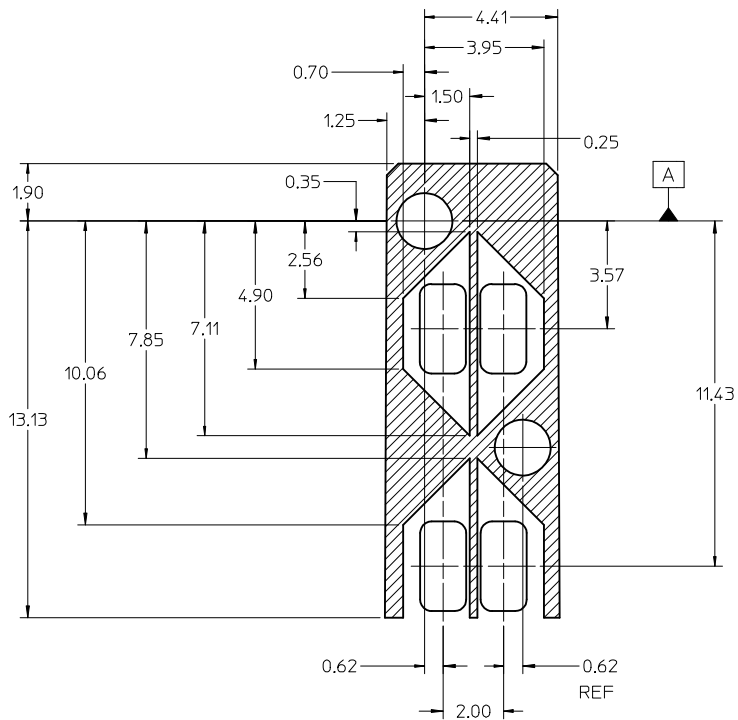


RECOMMENDED PCB LAYOUT - COMPONENT SIDE  
RECOMMENDED PCB THICKNESS - 2.36 MM (.093 INCH)

THE ENTIRE AREA OF THE CONNECTOR FOOTPRINT  
TO BE CONSIDERED THE KEEPOUT AREA FOR COMPONENTS  
(OTHER THAN THE LIGHTPIPE LED'S)  
THIS AREA IS INDICATED BY THE DASHED LINE

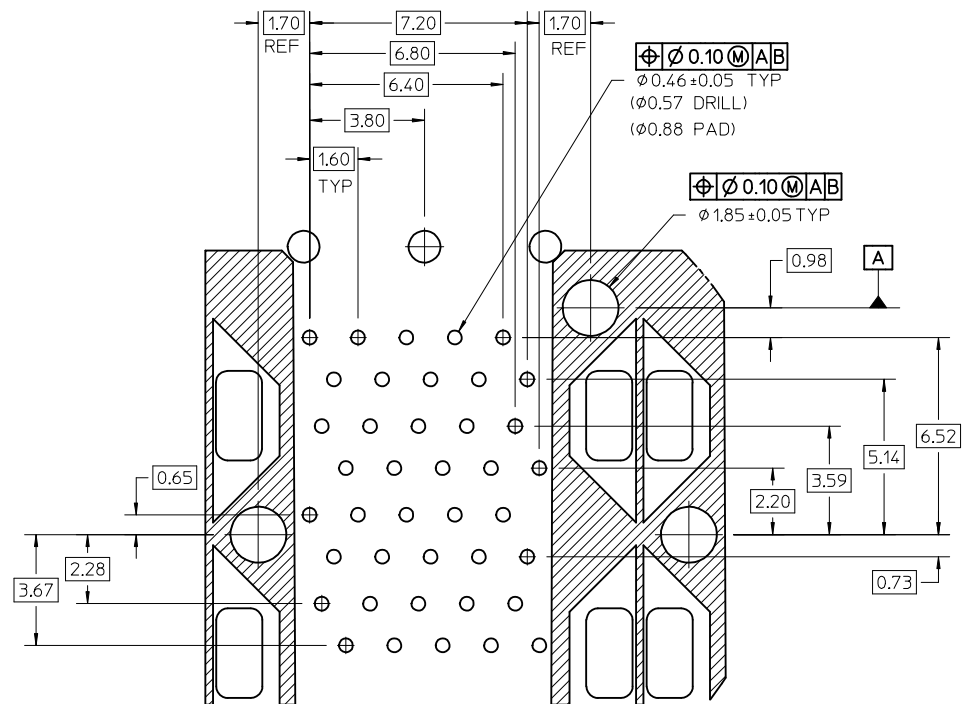
<b>SEE SHEET 1</b> EC NO: UCP2016-3489 DRWNS:VANG01 2016/03/07 CHKD:BBARKER 2016/03/07 APPR:SMILLER 2016/03/25	QUALITY SYMBOLS ▽=0 ▽=0 ▽=0	GENERAL TOLERANCES (UNLESS SPECIFIED) <table border="1"> <thead> <tr> <th></th> <th>mm</th> <th>INCH</th> </tr> </thead> <tbody> <tr> <td>4 PLACES</td> <td>± ---</td> <td>± ---</td> </tr> <tr> <td>3 PLACES</td> <td>± ---</td> <td>± ---</td> </tr> <tr> <td>2 PLACES</td> <td>± 0.13</td> <td>± ---</td> </tr> <tr> <td>1 PLACE</td> <td>± 0.25</td> <td>± ---</td> </tr> <tr> <td>0 PLACE</td> <td>±</td> <td>±</td> </tr> </tbody> </table>		mm	INCH	4 PLACES	± ---	± ---	3 PLACES	± ---	± ---	2 PLACES	± 0.13	± ---	1 PLACE	± 0.25	± ---	0 PLACE	±	±	DIMENSION STYLE <b>MM ONLY</b> DRAWN BY DATE T1BARRA 2012/08/09 CHECKED BY DATE BBARKER 2012/08/15 APPROVED BY DATE SMILLER 2012/08/28	SCALE <b>3:1</b> DESIGN UNITS <b>METRIC</b> THIRD ANGLE PROJECTION	TITLE <b>STACKED SFP+ 2X4 ASS'Y W/ METAL EMI GASKET AND LIGHTPIPES, ENHANCED EMI</b> <b>molex</b>	DOCUMENT NO. <b>SD-76046-0003</b> SHEET NO. <b>3 OF 5</b>
		mm	INCH																					
	4 PLACES	± ---	± ---																					
	3 PLACES	± ---	± ---																					
2 PLACES	± 0.13	± ---																						
1 PLACE	± 0.25	± ---																						
0 PLACE	±	±																						
DRAFT WHERE APPLICABLE MUST REMAIN WITHIN DIMENSIONS	ANGULAR ± 5 ° MATERIAL NO. <b>SEE TABLE</b>	SIZE <b>C</b>	THIS DRAWING CONTAINS INFORMATION THAT IS PROPRIETARY TO MOLEX INCORPORATED AND SHOULD NOT BE USED WITHOUT WRITTEN PERMISSION																					





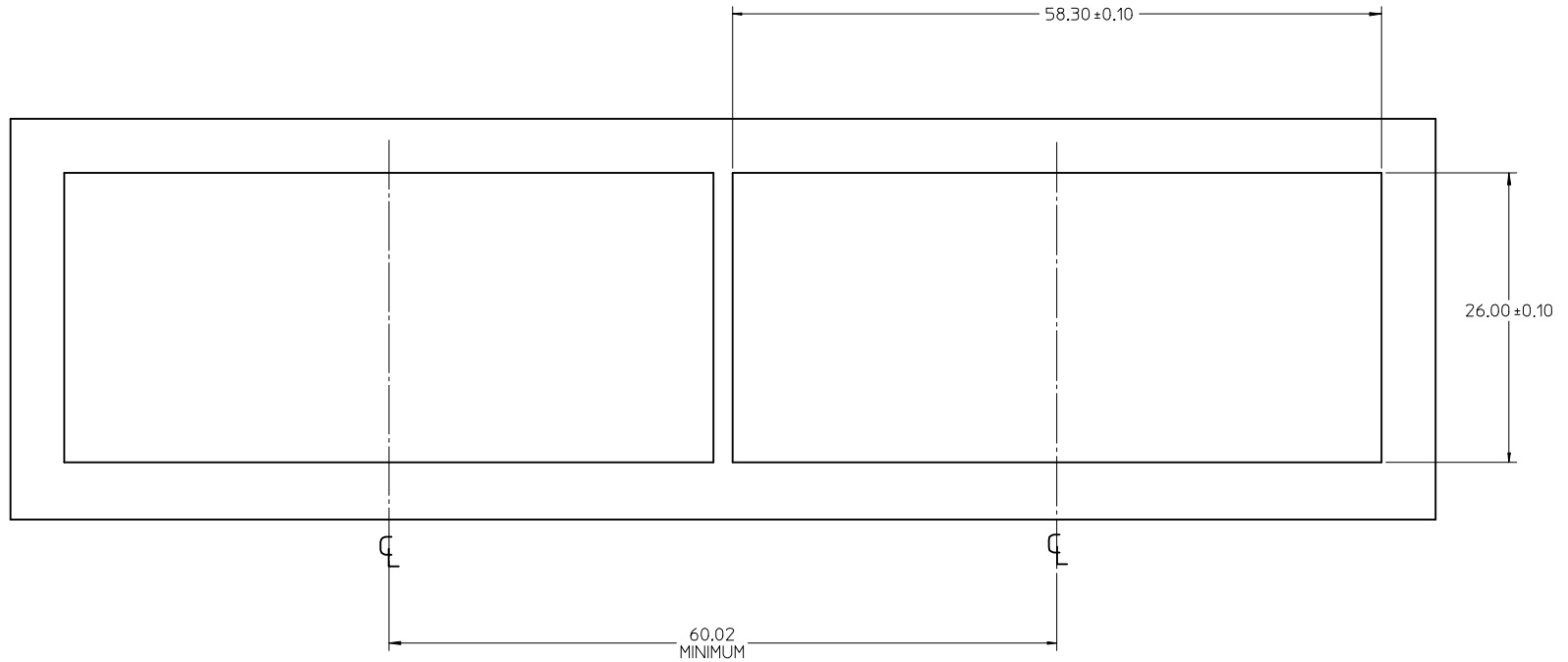
KEEPOUT ZONE DETAIL - LIGHTPIPE LOCATION AND OTHER ZONES  
SCALE 8:1

THE HATCHED AREA IN THIS VIEW INDICATES ZONES THAT ARE OCCUPIED BY THE PLASTIC HOUSING THAT SEATS AGAINST THE PCB AND BY THE VERTICAL METAL CAGE WALL THAT STOPS JUST SHORT OF THE PCB

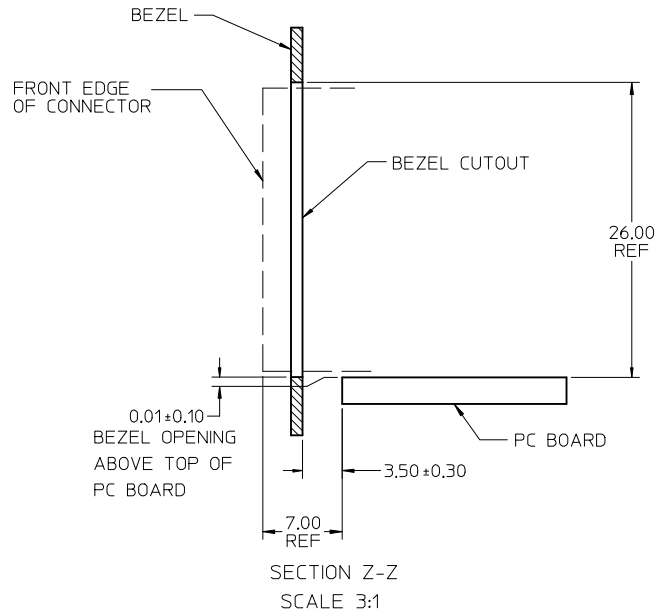


DETAIL B  
SCALE 8:1

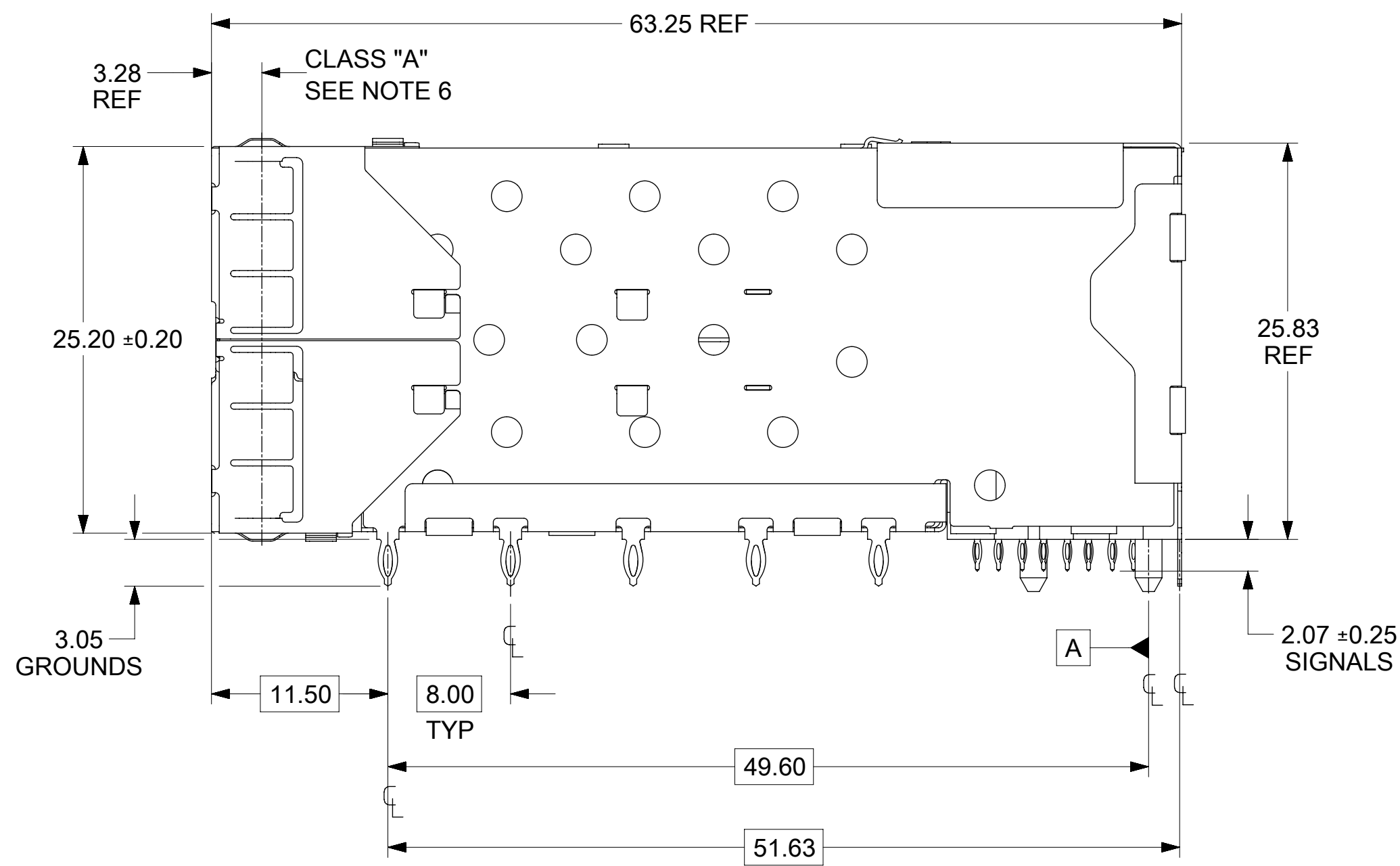
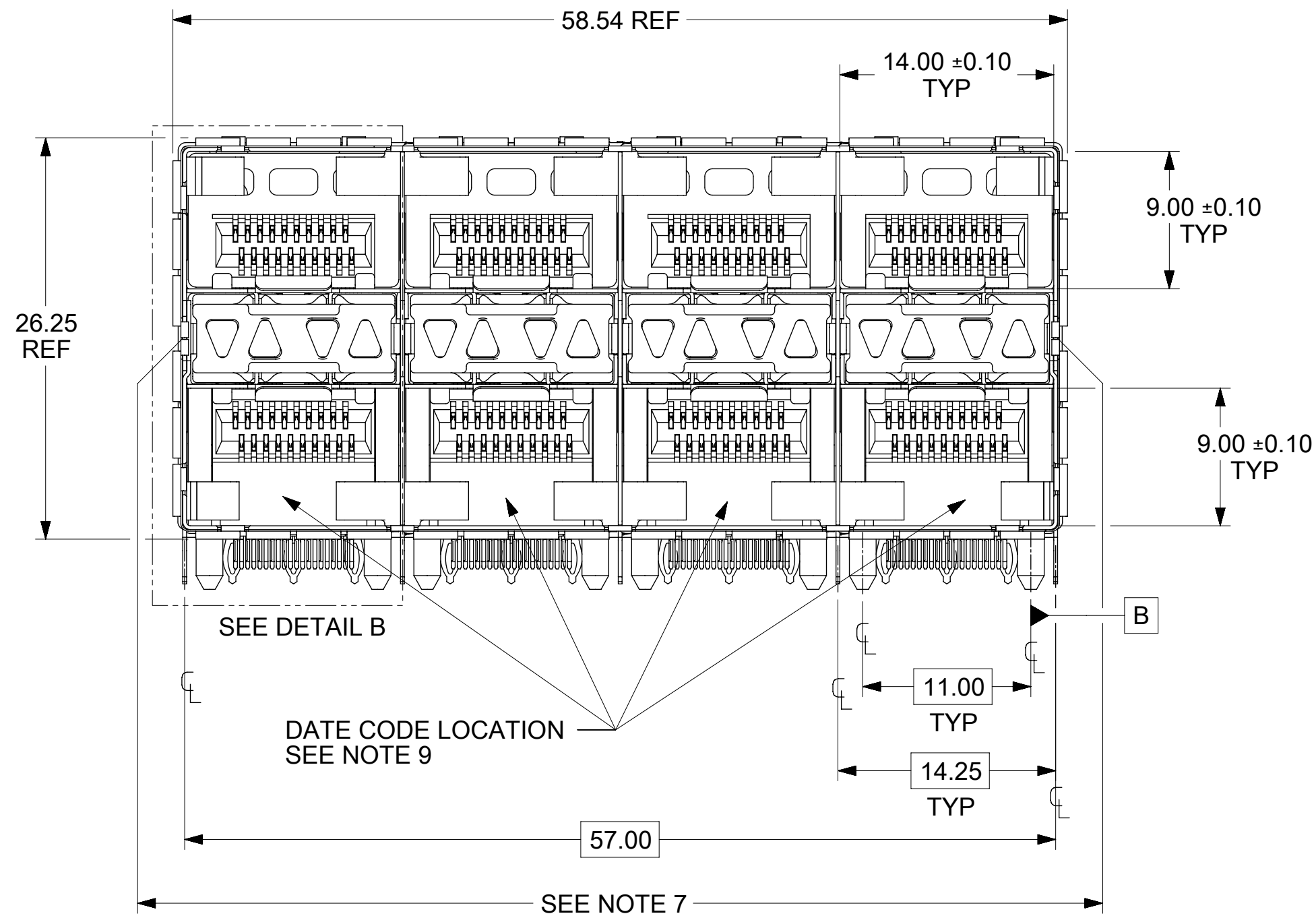
SEE SHEET 1 EC NO: UCP2016-3489 DRWNSVANG01 2016/03/07 CHKD:BBARKER 2016/03/07 APPR:SMILLER 2016/03/25	QUALITY SYMBOLS $\nabla = 0$ $\nabla = 0$ $\nabla = 0$	GENERAL TOLERANCES (UNLESS SPECIFIED)		DIMENSION STYLE <b>MM ONLY</b>		SCALE <b>8:1</b>	DESIGN UNITS <b>METRIC</b>	THIRD ANGLE PROJECTION	
		4 PLACES $\pm$ --- $\pm$ --- 3 PLACES $\pm$ --- $\pm$ --- 2 PLACES $\pm 0.13$ $\pm$ --- 1 PLACE $\pm 0.25$ $\pm$ --- 0 PLACE $\pm$ $\pm$	mm INCH	DRAWN BY TIBARRA	DATE 2012/08/09	TITLE <b>STACKED SFP+ 2X4 ASS'Y          W/ METAL EMI GASKET AND          LIGHTPIPES, ENHANCED EMI</b>		<b>molex</b>	
DRAFT WHERE APPLICABLE MUST REMAIN WITHIN DIMENSIONS	ANGULAR $\pm 5^\circ$		SEE TABLE		DOCUMENT NO.				
THIS DRAWING CONTAINS INFORMATION THAT IS PROPRIETARY TO MOLEX INCORPORATED AND SHOULD NOT BE USED WITHOUT WRITTEN PERMISSION									



BEZEL CUTOUT CENTER SPACING DETAIL  
BEZEL THICKNESS 0.8-2.6



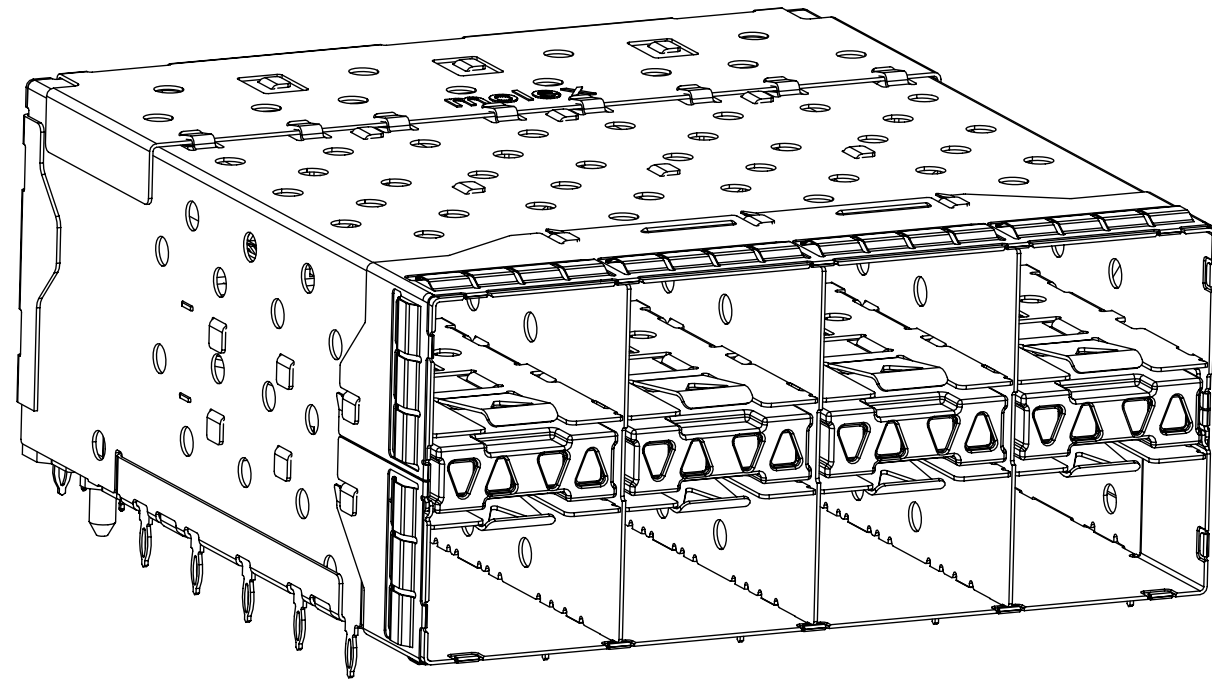
SEE SHEET 1 EC NO: UCP2016-3489 2016/03/07 DRWNS:YANG01 2016/03/07 CHKD:BBARKER 2016/03/25 APPR:SMILLER	DESCRIPTION REV =0 =0 =0	GENERAL TOLERANCES (UNLESS SPECIFIED)		DIMENSION STYLE <b>MM ONLY</b>		SCALE 3:1	DESIGN UNITS METRIC	THIRD ANGLE PROJECTION		
		4 PLACES	±	---	±	---	DRAWN BY	DATE	TITLE STACKED SFP+ 2X4 ASS'Y W/ METAL EMI GASKET AND LIGHTPIPES, ENHANCED EMI <b>molex</b> DOCUMENT NO. SD-76046-0003 SHEET NO. 5 OF 5	
		3 PLACES	±	---	±	---	CHECKED BY	DATE		
		2 PLACES	±	0.13	±	---	BBARKER	2012/08/15		
1 PLACE	±	0.25	±	---	APPROVED BY	DATE				
0 PLACE	±		±		SMILLER	2012/08/28				
		ANGULAR ± 5 °		DRAFT WHERE APPLICABLE MUST REMAIN WITHIN DIMENSIONS		MATERIAL NO.				
				SEE TABLE		THIS DRAWING CONTAINS INFORMATION THAT IS PROPRIETARY TO MOLEX INCORPORATED AND SHOULD NOT BE USED WITHOUT WRITTEN PERMISSION				



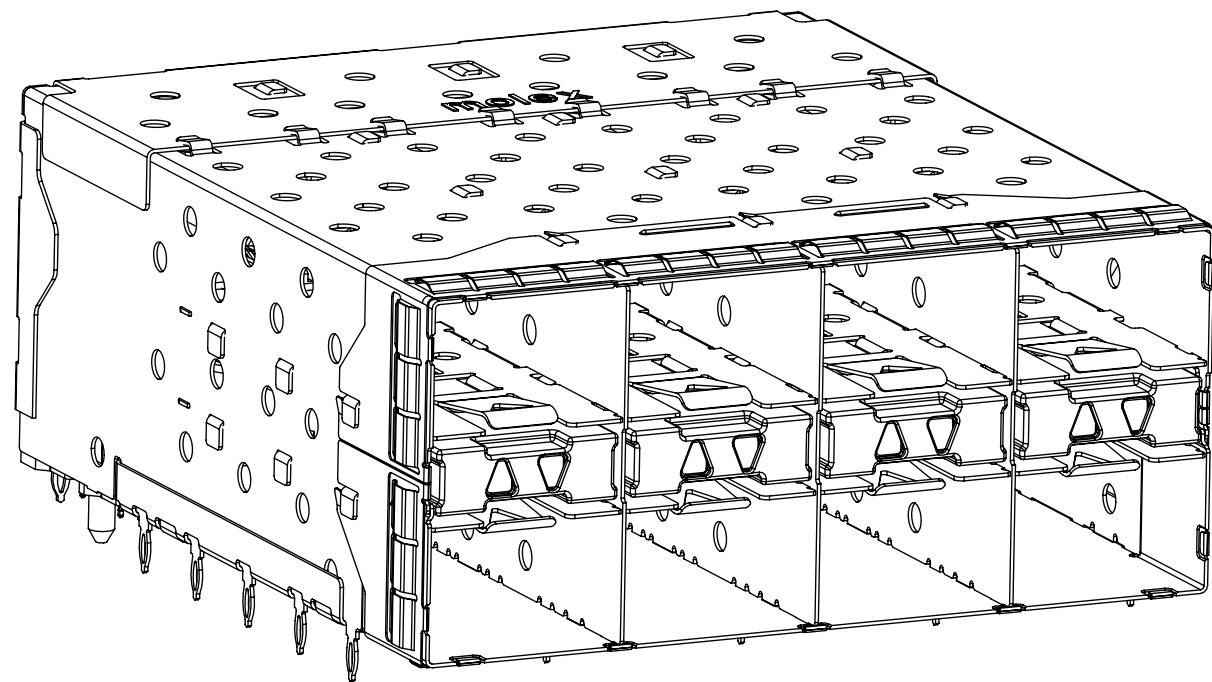
- NOTES**
- MATERIAL:**  
 CAGE: NICKEL SILVER, THICKNESS: 0.25mm  
 CONNECTOR HOUSING: GLASS FILLED LIQUID CRYSTAL POLYMER (LCP), UL 94V-0, COLOR: BLACK  
 OVERMOLD TERMINAL HOUSING: GLASS FILLED LIQUID CRYSTAL POLYMER (LCP), UL 94V-0, COLOR: BLACK  
 TERMINALS: TIN BRASS  
 EMI GASKET: PHOS-BRONZE  
 LIGHTPIPE HOUSING: ZINC  
 LIGHTPIPES: POLYCARBONATE, COLOR: CLEAR
  - FINISHES:**  
 TERMINALS: CONTACT AREA: 0.76 MICROMETERS MINIMUM HARD GOLD OVER 1.27 MICROMETERS MINIMUM NICKEL.  
 COMPLIANT TAIL - MATTE TIN/LEAD OPTION: 0.76 TO 1.52 MICROMETERS 90/10 MATTE TIN-LEAD OVER 0.76 MICROMETERS MINIMUM NICKEL.  
 COMPLIANT TAIL - MATTE TIN OPTION: 0.76 TO 1.52 MICROMETERS MATTE TIN OVER 0.76 MICROMETERS MINIMUM NICKEL.  
 LIGHTPIPE HOUSING: 80 MICROMETERS MINIMUM NICKEL OVER COPPER  
 EMI GASKET: 2.54 MICROMETERS MINIMUM NICKEL OVERALL.
  - REFER TO PS-75310-001 PRODUCT SPEC FOR ALL ELECTRICAL, MECHANICAL, AND ENVIRONMENTAL SPECIFICATIONS.
  - LIGHTPIPE PAD LAYOUT IS FOR 0805 LOW-PROFILE LED PACKAGE, FOR OTHER RECOMMENDED LAYOUTS REFER TO MOLEX'S REPORT TS-75310-001.
  - REFER TO PK-75450-001 FOR ALL PACKAGING SPECIFICATIONS.
  - THE SURFACES CONFORM TO THE MOLEX COSMETIC SPEC PS-45499-002. ALL EXTERIOR SURFACES TO BE CLASS "B" SURFACE EXCEPT THE UNDERSIDE (CLASS "C") OF THE CAGE (SIDE TOWARD THE PCB) AND AS OTHERWISE NOTED.
  - THE OVERALL CAGE WIDTH AT THE VERTICAL CENTER OF THE FRONT EDGE WILL FALL WITHIN THIS DIMENSION: 57.80+/-0.30 MM. THIS PORTION OF THE CAGE WILL FLEX INWARD AS THE CAGE IS BEING INSERTED INTO THE BEZEL OPENING.
  - REFER TO AS-76090-001 FOR HIGH SPEED ROUTING RECOMMENDATIONS.
  - DATE CODE LOCATION IS SHOWN ABOVE.  
 DATE CODE FORMAT: DDDY MX A1  
 DDD = DAY OF THE YEAR  
 Y = YEAR  
 MX = MOLEX  
 A = ALPHA CHARACTER - INDICATES MANUFACTURING LINE  
 1 = NUMERIC CHARACTER - INDICATES PRODUCTION SHIFT

PART NUMBER	DESCRIPTION	VIEW	COMPLIANT TAIL PLATING
760460001	4 LIGHT PORTS	SEE PG 2	MATTE TIN / LEAD
760460002	INNER 2 PORTS	SEE PG 2	MATTE TIN / LEAD
760460003	OUTER 2 PORTS	SEE PG 2	MATTE TIN / LEAD
760465001	4 LIGHT PORTS	SEE PG 2	MATTE TIN
760465002	INNER 2 PORTS	SEE PG 2	MATTE TIN
760465003	OUTER 2 PORTS	SEE PG 2	MATTE TIN
760465013	OUTER 2 PORTS	SEE PG 2	MATTE TIN

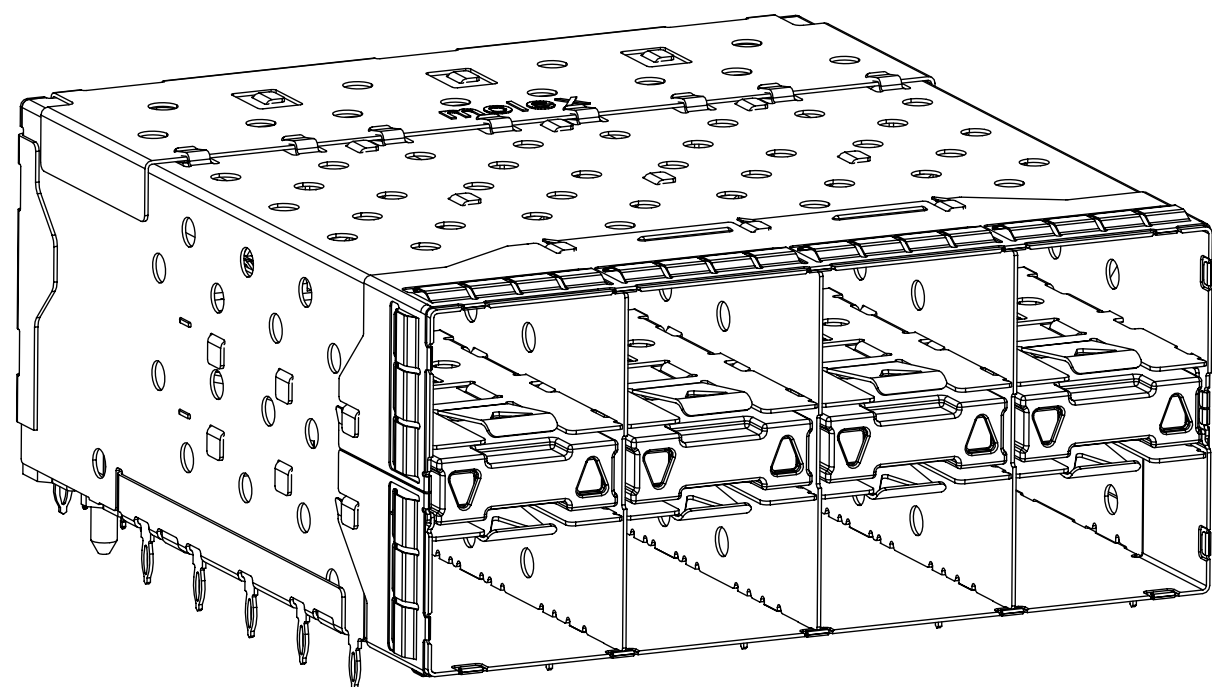
THIS DRAWING CONTAINS INFORMATION THAT IS PROPRIETARY TO MOLEX ELECTRONIC TECHNOLOGIES, LLC AND SHOULD NOT BE USED WITHOUT WRITTEN PERMISSION											
SYMBOLS		DIMENSION UNITS		SCALE		CURRENT REV DESC: MIGRATED TO NX					
▽ = 0		mm		3:1		<p>STACKED SFP+ 2X4 ASS'Y WITH METAL EMI GASKET AND LIGHTPIPES</p> <p>PRODUCT CUSTOMER DRAWING</p> <p>DOCUMENT NUMBER: SD-76046-001   DOC TYPE: PSD   DOC PART: 001   REVISION: F1</p> <p>MATERIAL NUMBER: SEE TABLE   CUSTOMER: GENERAL MARKET   SHEET NUMBER: 1 OF 6</p>					
▽ = 0		GENERAL TOLERANCES (UNLESS SPECIFIED)									
▽ = 0		ANGULAR TOL ± 5.0°									
▽ = 0		4 PLACES ±									
▽ = 0		3 PLACES ±				EC NO: 685692 DRWN: NMUTHARAYAPP 2018/10/08 CHK'D: JKACHLIC 2021/11/18 APPR: JKACHLIC 2021/11/18					
▽ = 0		2 PLACES ± 0.13				INITIAL REVISION: DRWN: MSANDBER 2006/10/18 APPR: RNELSON 2007/01/25					
▽ = 0		1 PLACE ± 0.25				DRAFT WHERE APPLICABLE MUST REMAIN WITHIN DIMENSIONS					
▽ = 0		0 PLACES ±				THIRD ANGLE PROJECTION		DRAWING		SERIES	
▽ = 0		C-SIZE		76046		SEE TABLE		GENERAL MARKET		1 OF 6	



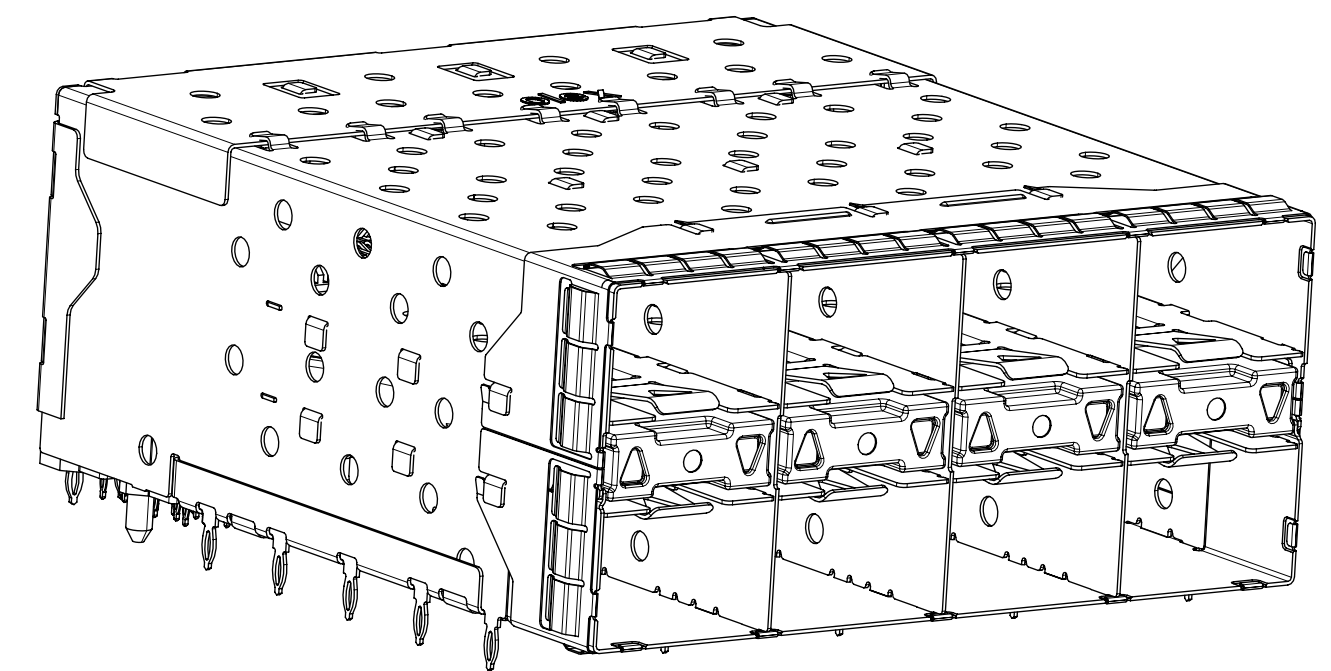
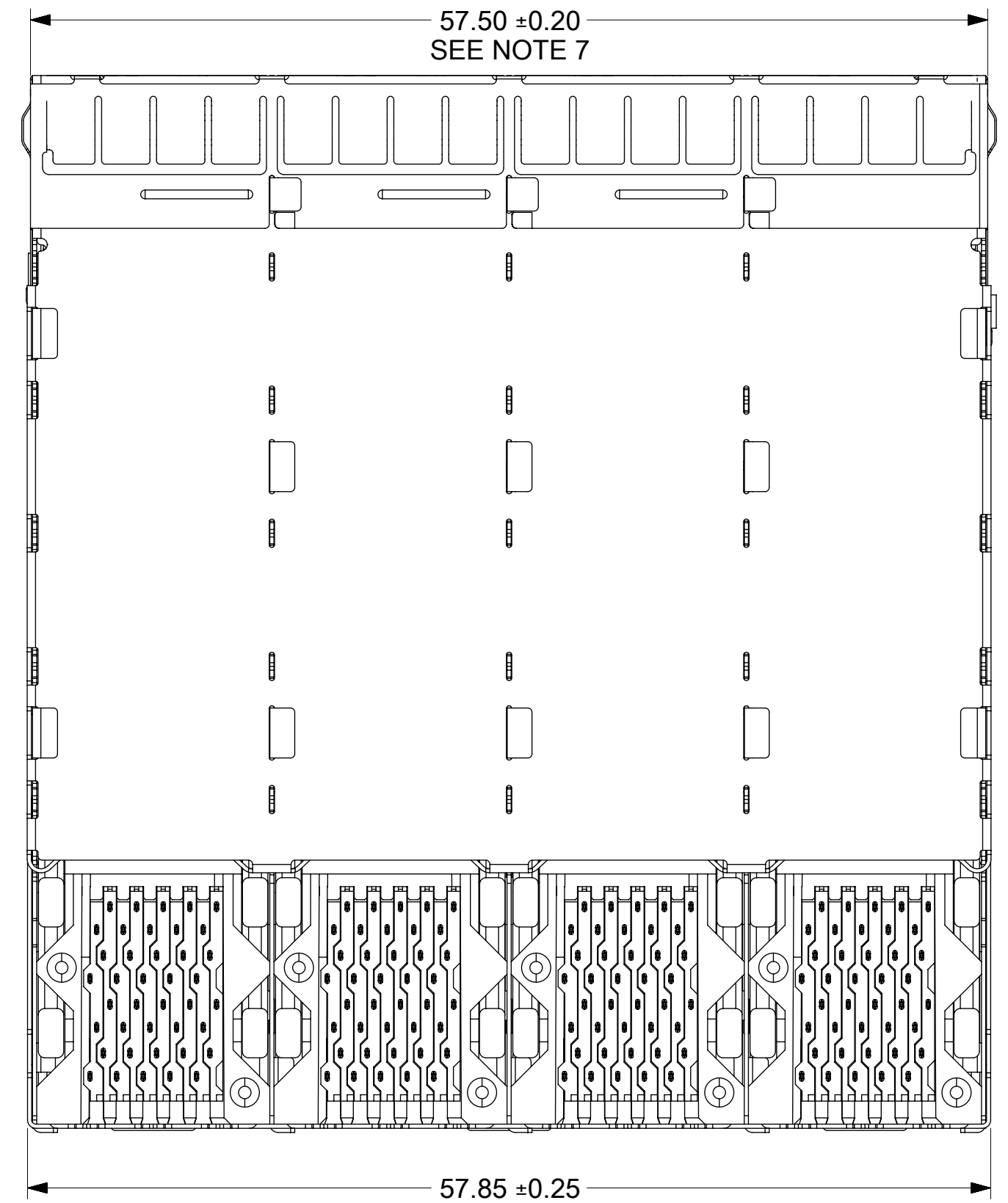
760460001 AND 760465001  
WITH INNER AND OUTER LIGHTPIPES



760460002 AND 760465002  
WITH INNER LIGHTPIPES

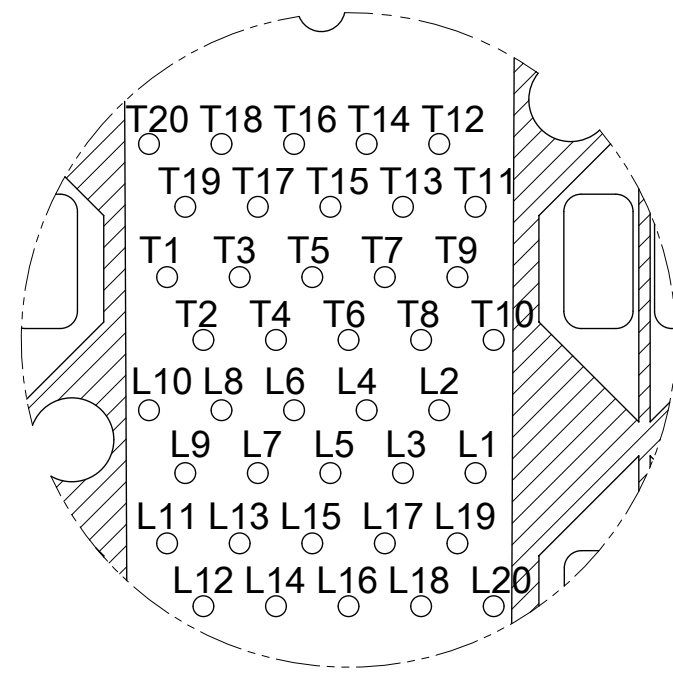


760460003 AND 760465003  
WITH OUTER LIGHTPIPES

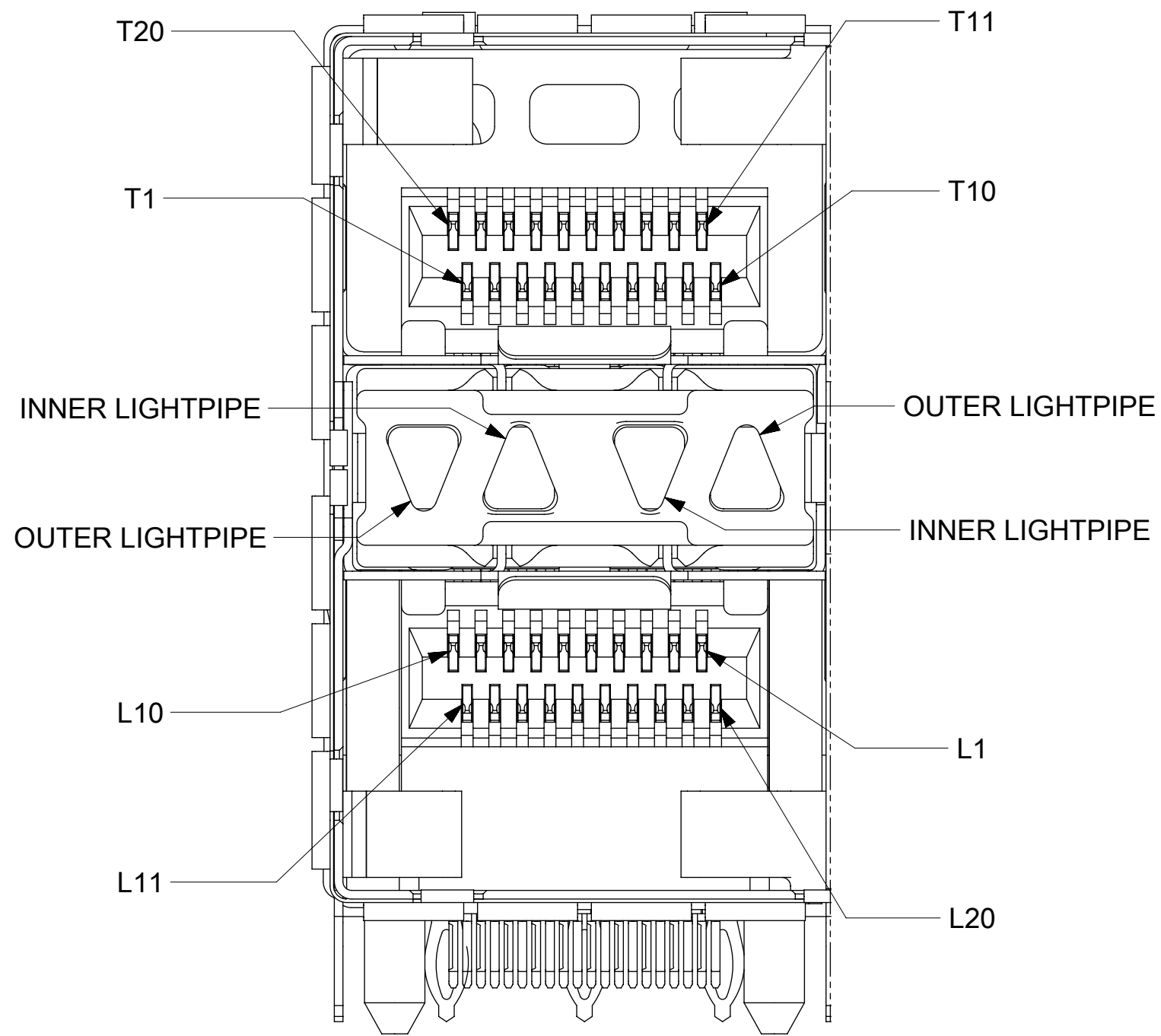


760465013  
WITH OUTER LIGHTPIPES  
(DIFFERENT LIGHT PIPE HOUSING)

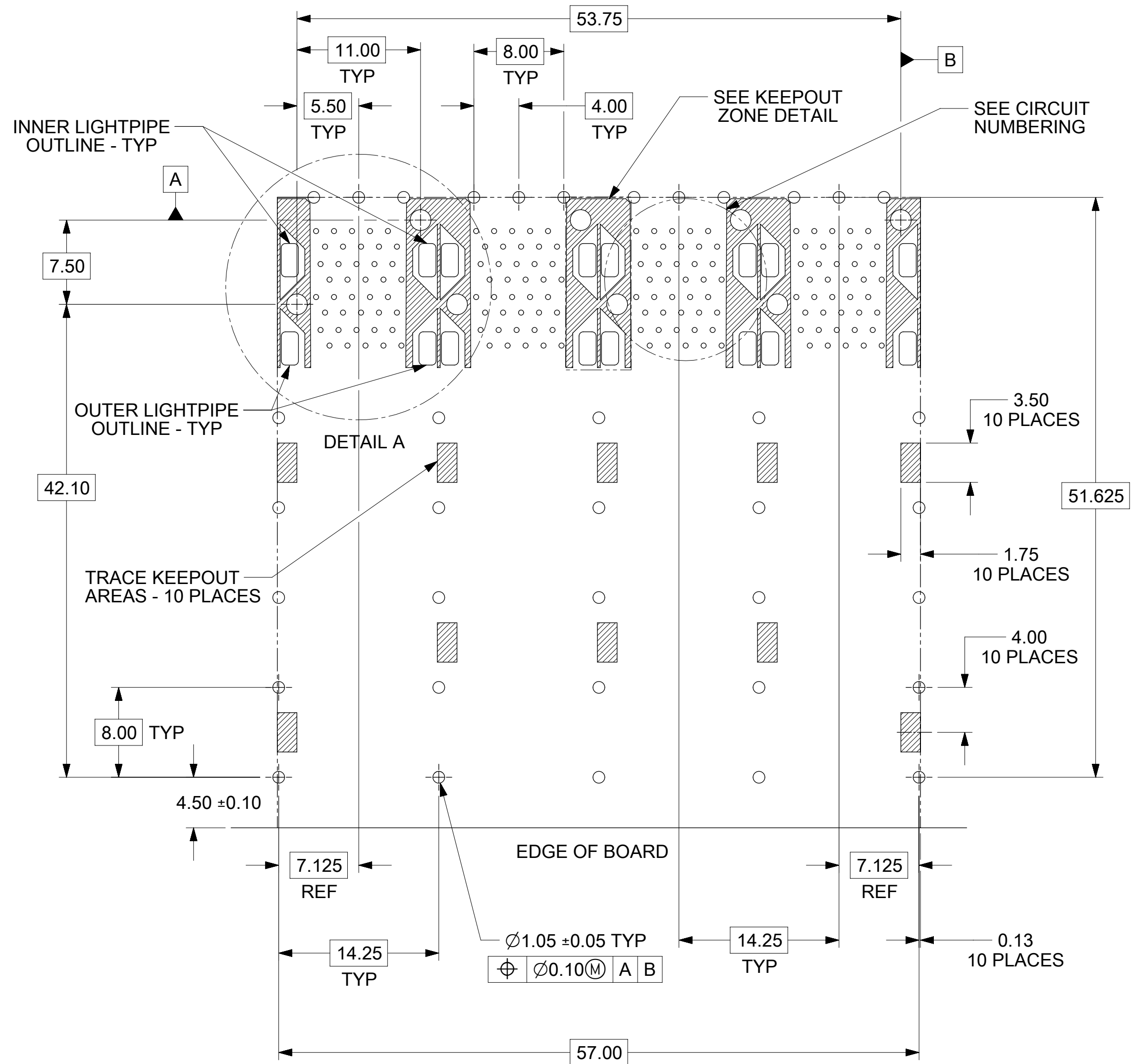
SYMBOLS										THIS DRAWING CONTAINS INFORMATION THAT IS PROPRIETARY TO MOLEX ELECTRONIC TECHNOLOGIES, LLC AND SHOULD NOT BE USED WITHOUT WRITTEN PERMISSION									
DIMENSION UNITS					SCALE					CURRENT REV DESC: MIGRATED TO NX									
mm					3:1					<b>molex</b> STACKED SFP+ 2X4 ASS'Y WITH METAL EMI GASKET AND LIGHTPIPES PRODUCT CUSTOMER DRAWING									
GENERAL TOLERANCES (UNLESS SPECIFIED)																			
ANGULAR TOL ± 5.0°										DOCUMENT NUMBER					DOC TYPE   DOC PART   REVISION				
4 PLACES ±										SD-76046-001					PSD   001   F1				
3 PLACES ±										MATERIAL NUMBER					CUSTOMER				
2 PLACES ± 0.13										SEE TABLE					GENERAL MARKET				
1 PLACE ± 0.25										THIRD ANGLE PROJECTION					DRAWING				
0 PLACES ±										C-SIZE					SERIES				
DRAFT WHERE APPLICABLE MUST REMAIN WITHIN DIMENSIONS										76046					SHEET NUMBER				
										2 OF 6									



CIRCUIT NUMBERING  
 COMPONENT SIDE OF BOARD  
 SCALE 6:1



DETAIL B  
 SCALE 6:1  
 CIRCUIT NUMBERING  
 AND LIGHTPIPE  
 IDENTIFICATION



RECOMMENDED PCB LAYOUT - COMPONENT SIDE  
 RECOMMENDED PCB THICKNESS - 2.36 MM (.093 INCH)

THE ENTIRE AREA OF THE CONNECTOR FOOTPRINT  
 TO BE CONSIDERED THE KEEP OUT AREA FOR COMPONENTS  
 (OTHER THAN THE LIGHTPIPE LED'S)  
 THIS AREA IS INDICATED BY THE DASHED LINE

SYMBOLS		THIS DRAWING CONTAINS INFORMATION THAT IS PROPRIETARY TO MOLEX ELECTRONIC TECHNOLOGIES, LLC AND SHOULD NOT BE USED WITHOUT WRITTEN PERMISSION	
▽ = 0	DIMENSION UNITS	SCALE	CURRENT REV DESC: MIGRATED TO NX
▽ = 0	mm	3:1	
▽ = 0	GENERAL TOLERANCES (UNLESS SPECIFIED)		
▽ = 0	ANGULAR TOL ± 5.0°		
▽ = 0	4 PLACES ±		EC NO: 685692
▽ = 0	3 PLACES ±		DRWN: NMUTHARAYAPP 2018/10/08
▽ = 0	2 PLACES ± 0.13		CHK'D: JKACHLIC 2021/11/18
▽ = 0	1 PLACE ± 0.25		APPR: JKACHLIC 2021/11/18
▽ = 0	0 PLACES ±		INITIAL REVISION:
▽ = 0	DRAFT WHERE APPLICABLE MUST REMAIN WITHIN DIMENSIONS		DRWN: MSANDBER 2006/10/18
▽ = 0	THIRD ANGLE PROJECTION		APPR: RNELSON 2007/01/25
▽ = 0	DRAWING		SERIES
▽ = 0	C-SIZE		76046
DOCUMENT STATUS		DOC TYPE	DOC PART
P1	RELEASE DATE	PSD	001
2021/11/18	08:35:14	SD-76046-001	F1
MATERIAL NUMBER		CUSTOMER	SHEET NUMBER
SEE TABLE		GENERAL MARKET	3 OF 6

**molex**

STACKED SFP+ 2X4 ASS'Y  
 WITH METAL EMI GASKET AND LIGHTPIPES

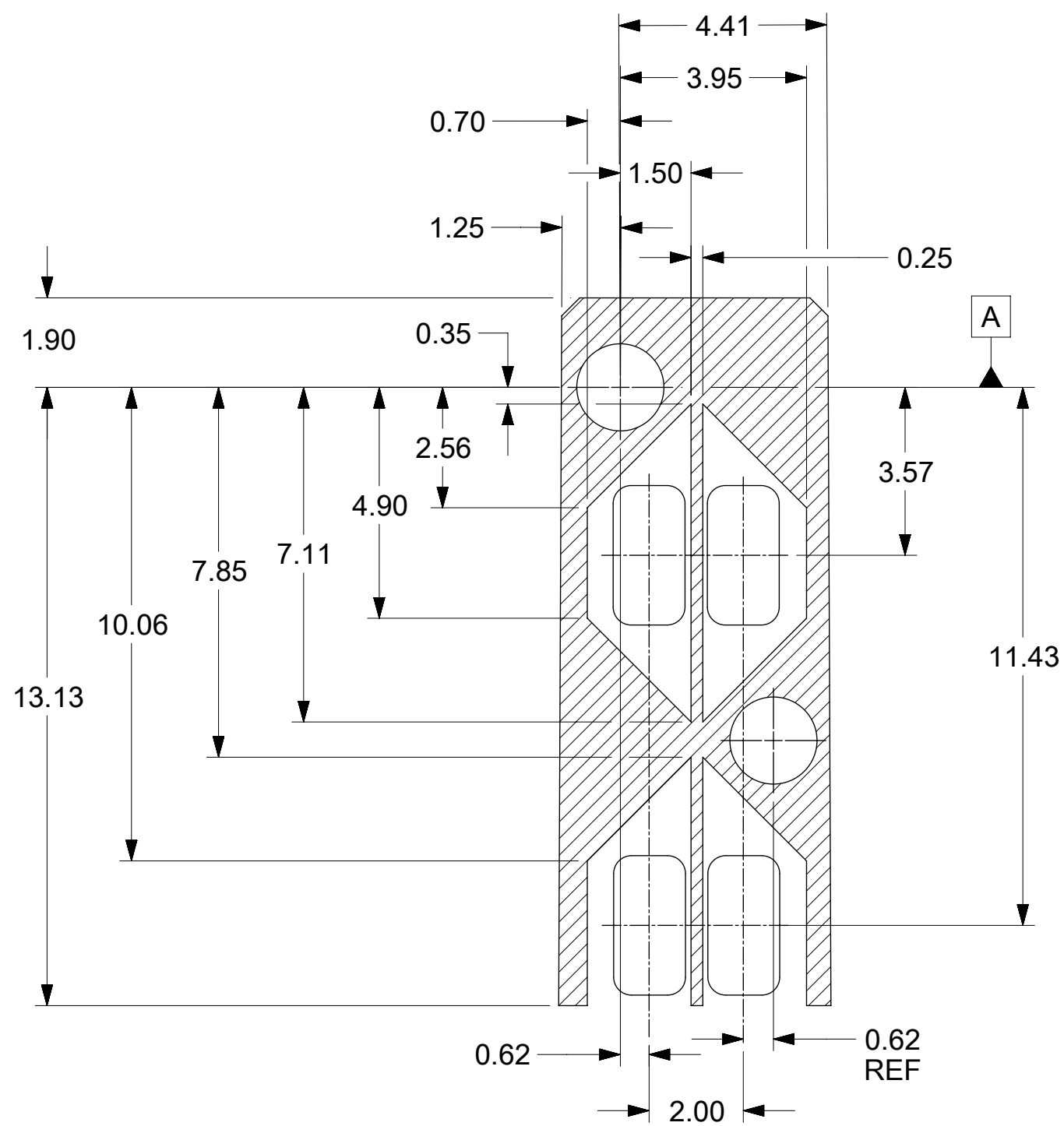
PRODUCT CUSTOMER DRAWING

DOCUMENT NUMBER DOC TYPE DOC PART REVISION

SD-76046-001 PSD 001 F1

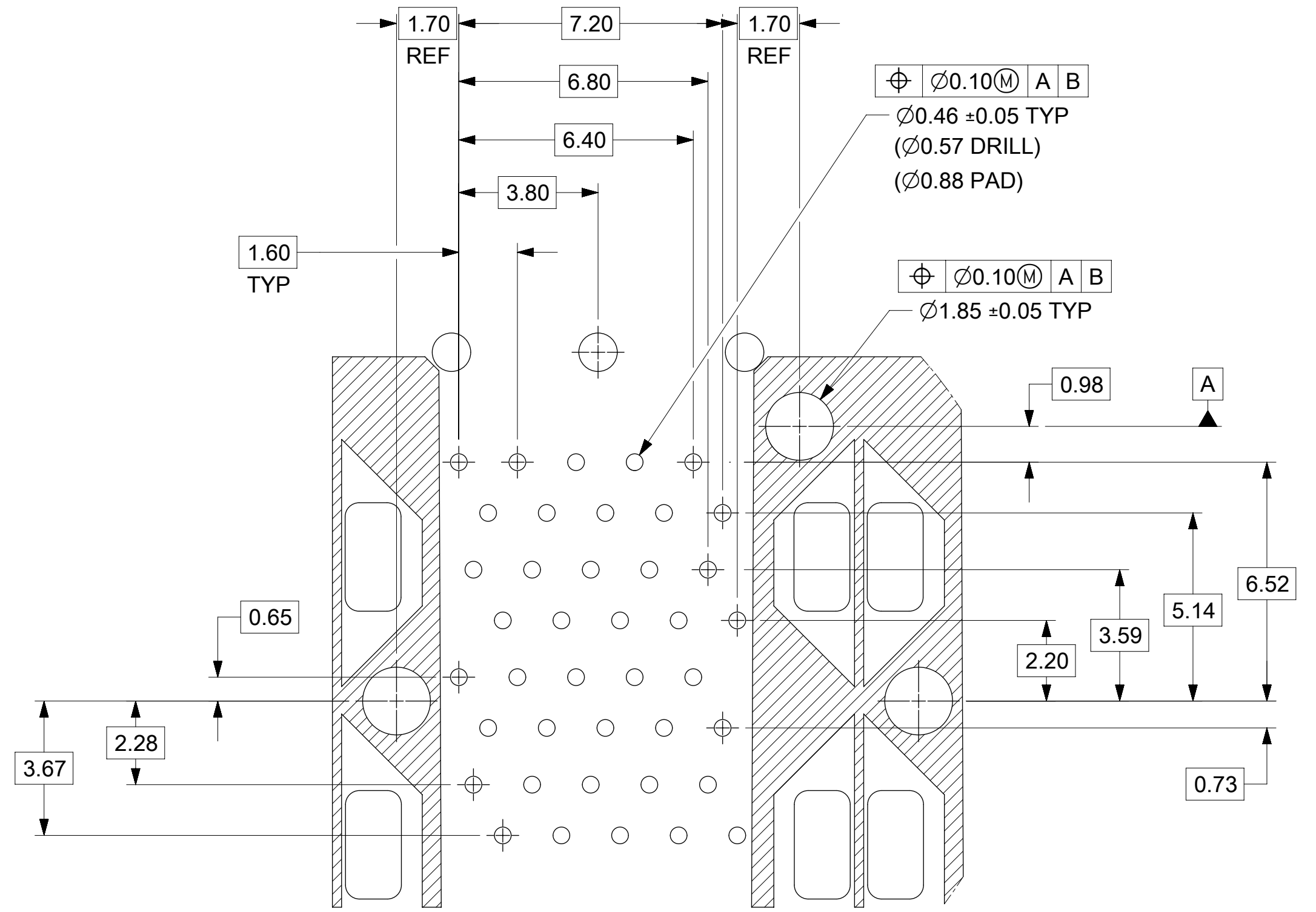
MATERIAL NUMBER CUSTOMER SHEET NUMBER

SEE TABLE GENERAL MARKET 3 OF 6



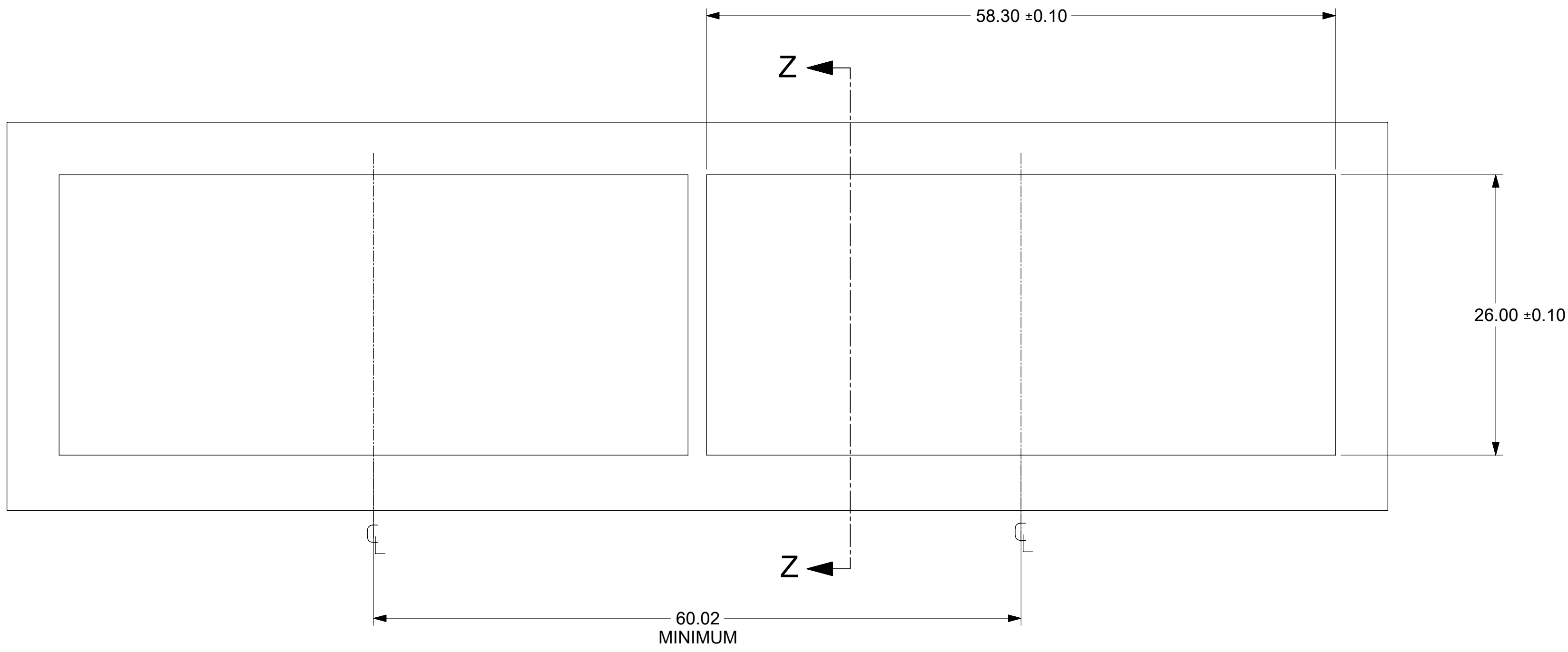
KEEPOUT ZONE DETAIL - LIGHTPIPE LOCATION AND OTHER ZONES  
SCALE 8:1

THE HATCHED AREA IN THIS VIEW INDICATES ZONES THAT ARE OCCUPIED BY THE PLASTIC HOUSING THAT SEATS AGAINST THE PCB AND BY THE VERTICAL METAL CAGE WALL THAT STOPS JUST SHORT OF THE PCB

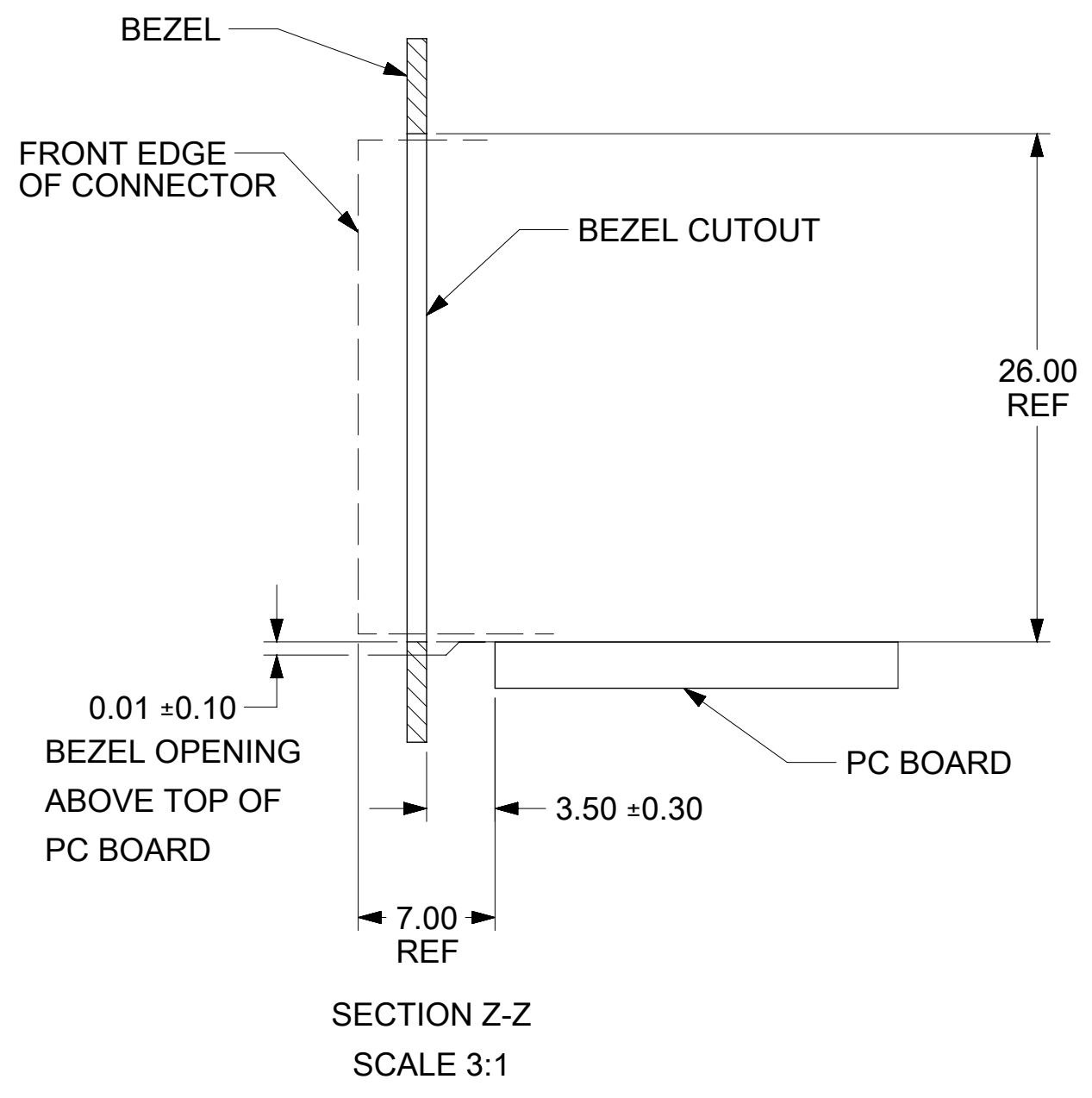


DETAIL A  
SCALE 8:1

THIS DRAWING CONTAINS INFORMATION THAT IS PROPRIETARY TO MOLEX ELECTRONIC TECHNOLOGIES, LLC AND SHOULD NOT BE USED WITHOUT WRITTEN PERMISSION									
SYMBOLS		DIMENSION UNITS	SCALE	CURRENT REV DESC: MIGRATED TO NX					
	= 0	mm	8:1	<p><b>molex</b></p> <p>STACKED SFP+ 2X4 ASS'Y WITH METAL EMI GASKET AND LIGHTPIPES</p> <p>PRODUCT CUSTOMER DRAWING</p> <p>EC NO: 685692 DRWN: NMUTHARAYAPP 2018/10/08 CHK'D: JKACHLIC 2021/11/18 APPR: JKACHLIC 2021/11/18</p> <p>INITIAL REVISION: DRWN: MSANDBER 2006/10/18 APPR: RNELSON 2007/01/25</p>					
	= 0	GENERAL TOLERANCES (UNLESS SPECIFIED)							
	= 0	ANGULAR TOL ± 5.0°							
	= 0	4 PLACES ±							
	= 0	3 PLACES ±							
	= 0	2 PLACES ± 0.13		DOCUMENT NUMBER					
	= 0	1 PLACE ± 0.25		SD-76046-001					
	= 0	0 PLACES ±		DOC TYPE		DOC PART		REVISION	
	= 0	DRAFT WHERE APPLICABLE MUST REMAIN WITHIN DIMENSIONS		PSD		001		F1	
	= 0	THIRD ANGLE PROJECTION		DRAWING		SERIES		MATERIAL NUMBER	
				C-SIZE		76046		CUSTOMER	
								GENERAL MARKET	
								SEE TABLE	
								SHEET NUMBER	
								4 OF 6	



**BEZEL CUTOUT CENTER SPACING DETAIL**  
**BEZEL THICKNESS 0.8-2.6**



THIS DRAWING CONTAINS INFORMATION THAT IS PROPRIETARY TO MOLEX ELECTRONIC TECHNOLOGIES, LLC AND SHOULD NOT BE USED WITHOUT WRITTEN PERMISSION										
SYMBOLS		DIMENSION UNITS		SCALE		CURRENT REV DESC: MIGRATED TO NX				
▽ = 0	▽ = 0	mm	3:1			<b>molex</b> STACKED SFP+ 2X4 ASS'Y WITH METAL EMI GASKET AND LIGHTPIPES				
▽ = 0	▽ = 0	GENERAL TOLERANCES (UNLESS SPECIFIED)								
▽ = 0	▽ = 0	ANGULAR TOL ± 5.0°				EC NO: 685692 DRWN: NMUTHARAYAPP 2018/10/08 CHK'D: JKACHLIC 2021/11/18 APPR: JKACHLIC 2021/11/18				
▽ = 0	▽ = 0	4 PLACES ±				INITIAL REVISION: DRWN: MSANDBER 2006/10/18 APPR: RNELSON 2007/01/25				
▽ = 0	▽ = 0	3 PLACES ±				DOCUMENT NUMBER		DOC TYPE	DOC PART	REVISION
▽ = 0	▽ = 0	2 PLACES ± 0.13				SD-76046-001		PSD	001	F1
▽ = 0	▽ = 0	1 PLACE ± 0.25				MATERIAL NUMBER		CUSTOMER		SHEET NUMBER
▽ = 0	▽ = 0	0 PLACES ±				SEE TABLE		GENERAL MARKET		5 OF 6
▽ = 0	▽ = 0	DRAFT WHERE APPLICABLE MUST REMAIN WITHIN DIMENSIONS		THIRD ANGLE PROJECTION		DRAWING	SERIES			
▽ = 0	▽ = 0			C-SIZE		76046				

REVISION HISTORY

DATE	REV	DESCRIPTION
2021/10/21	F1	1. C5 ON PAGE 1: ADD NEW PN 760465013 TO REPRESENT NEW DISTRIBUTION OF OUTER LIGHTPIPE BY REPLACING LIGHTPIPE HOUSING 2. C4 ON PAGE 2: ADD ILLUSTRATION OF 760465013.

THIS DRAWING CONTAINS INFORMATION THAT IS PROPRIETARY TO MOLEX ELECTRONIC TECHNOLOGIES, LLC AND SHOULD NOT BE USED WITHOUT WRITTEN PERMISSION									
FUNCTIONAL SYMBOLS	DIMENSION UNITS	SCALE	CURRENT REV DESC: MIGRATED TO NX						
	$\frac{F}{A} = 0$	mm	1:1	EC NO: 685692 DRWN: NMUTHARAYAPP 2018/10/08 CHK'D: JKACHLIC 2021/11/18 APPR: JKACHLIC 2021/11/18 INITIAL REVISION: DRWN: MSANDBER 2006/10/18 APPR: RNELSON 2007/01/25					
GENERAL TOLERANCES (UNLESS SPECIFIED)									
DIVISIONAL SYMBOLS	ANGULAR TOL $\pm 5.0^\circ$		PRODUCT CUSTOMER DRAWING DOCUMENT NUMBER: SD-76046-001   DOC TYPE: PSD   DOC PART: 001   REVISION: F1 MATERIAL NUMBER:   CUSTOMER: GENERAL MARKET   SHEET NUMBER: 6 OF 6						
	4 PLACES	$\pm$							
	3 PLACES	$\pm$							
	2 PLACES	$\pm 0.13$							
	1 PLACE	$\pm 0.25$							
0 PLACES	$\pm$								
DRAFT WHERE APPLICABLE MUST REMAIN WITHIN DIMENSIONS		THIRD ANGLE PROJECTION	DRAWING	SERIES	MATERIAL NUMBER	CUSTOMER	SHEET NUMBER		
			C-SIZE	76046		GENERAL MARKET	6 OF 6		

**molex**

STACKED SFP+ 2X4 ASS'Y WITH METAL EMI GASKET AND LIGHTPIPES

PRODUCT CUSTOMER DRAWING

SD-76046-001

PSD 001 F1

GENERAL MARKET

6 OF 6

DOCUMENT STATUS	P1	RELEASE DATE	2021/11/18 08:35:14
-----------------	----	--------------	---------------------