

Input

Rated input voltage	100 V ~ 240 V ac
Input voltage range	90 V ~ 264 V ac
Rated frequency	50~60 Hz
Frequency range	47~63 Hz
Rated input current	300 mA RMS max.
Inrush current	15 A max. at 115 / 30 A max. at 230 V ac cool start

Output

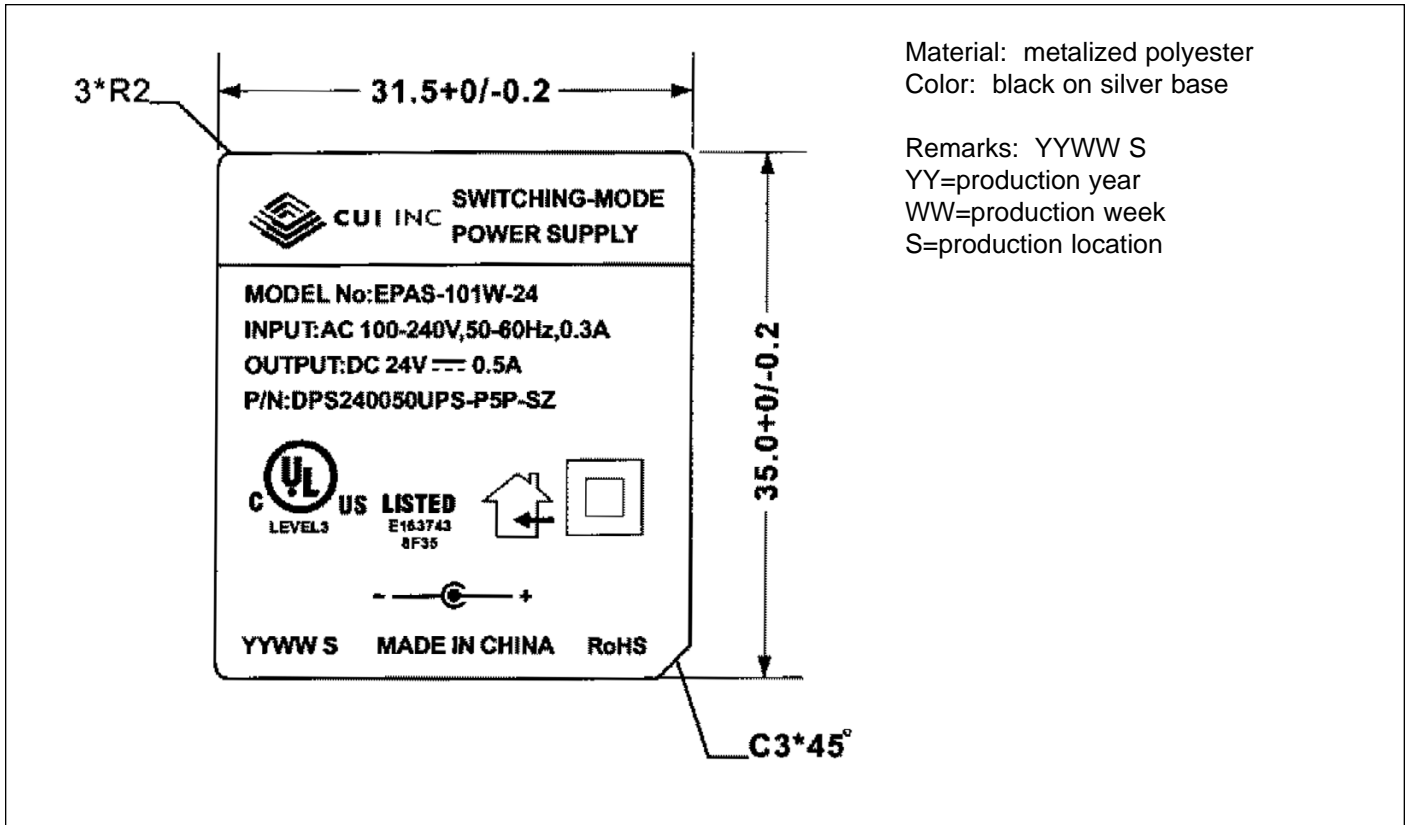
Output voltage	24 V dc at 0.5 A
Output min. current	0 A
Line regulation	± 1%
Load regulation	± 5%
Over voltage protection	25.6 ~ 28.3 V dc max. (output shut down)
Short circuit protection	output shut down and auto restart
Ripple voltage	240 mV (p-p) (100~240 V ac at full load)
Efficiency	65% min.

Safety and EMI

HI-POT	input to output	3000 V ac at 10 mA for 1 min.
Insulation resistance	input to output	> 100 M Ohm at 500 V dc
Safety approvals	UL/cUL	
EMI standard	meets EN55022 B	
RoHS compliant	yes	
Leakage current	0.25 mA	

Environmental

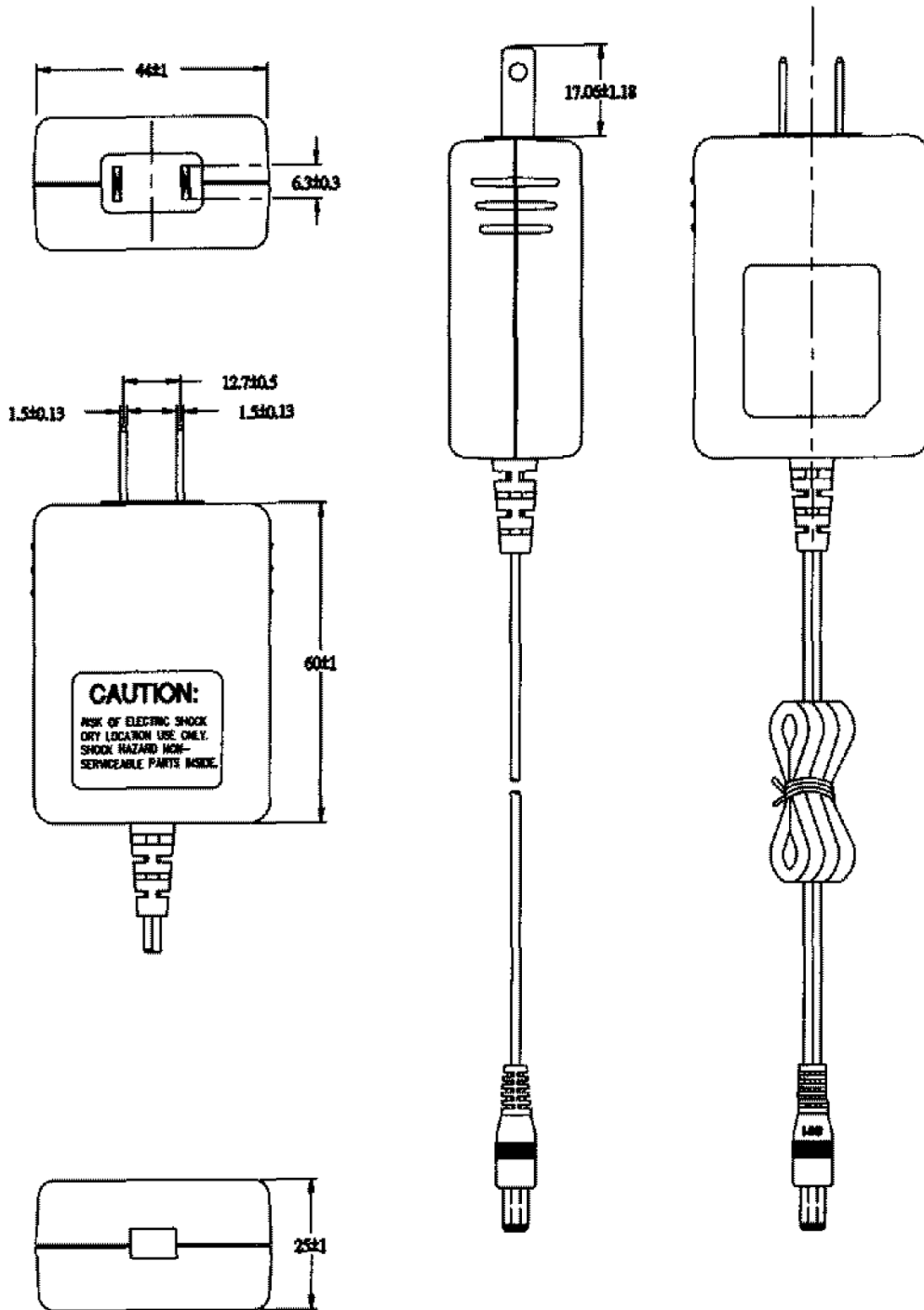
Storage temperature	-10°C ~ +70° C
Operating temperature	0°C ~ +40° C
Storage humidity	10~90%
Operating humidity	20~80%

Label


Mechanical Drawing

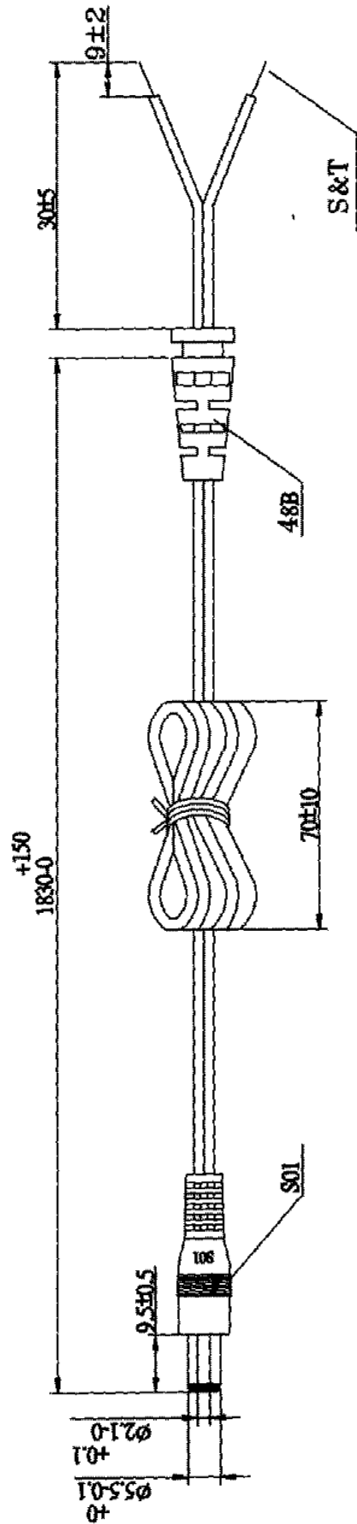
 Tolerance: ± 1

 Input plug
Case size

 Direct plug-in UL type
60 L x 44 W x 25 H mm




DC Cord



#20AWG X2C UL2468

OD: Ø1.9X3.8



VIBRATION TEST	a. 50"
	b. WEIGHT 20g
	c. 40 ROUND/MINUTE
	d. OVER 1000 COUNT MIN



CUI INC

Part No: DPS240050UPS-P5P-SZ

Date: 4/06/2006

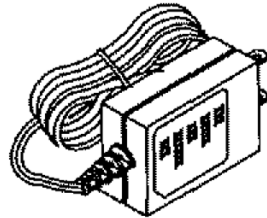
Unit: mm

Description: switching power supply

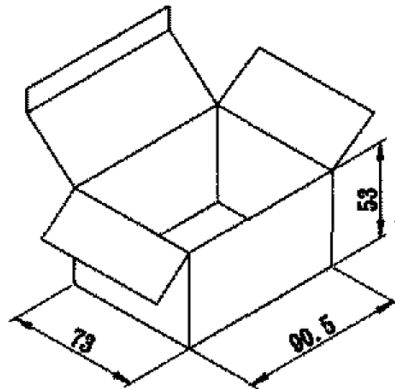
Page No: 5 of 6

Individual Packaging

Tolerance: ± 1



product



"RoHS Compliant"



Packaging

Tolerance: +7/-0

CARTON SIZE: 375*368*225mm

QTY: 80PCS(20*4)

"RoHS Compliant"

