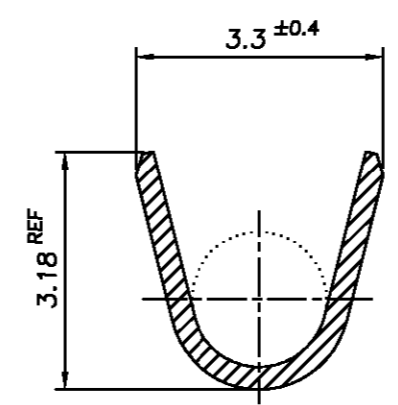
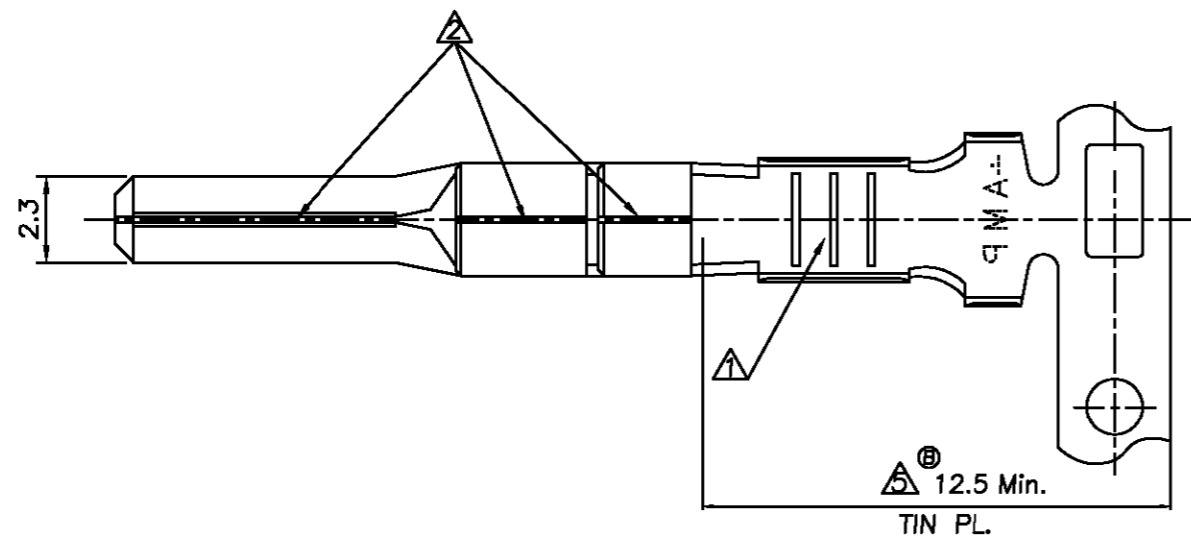
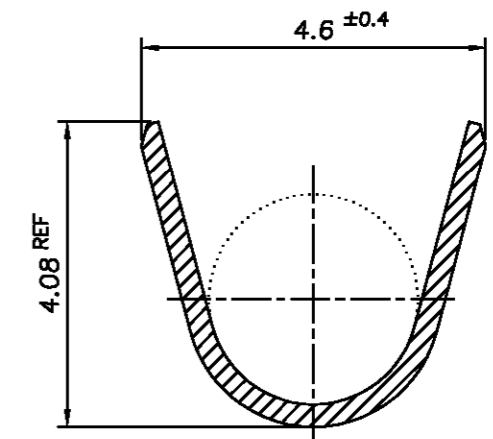


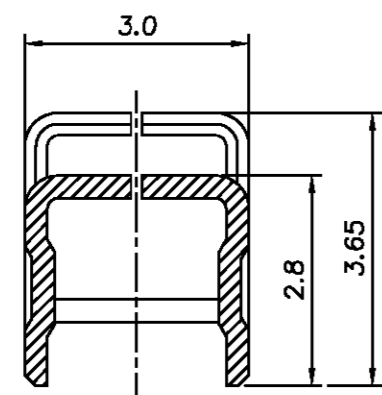
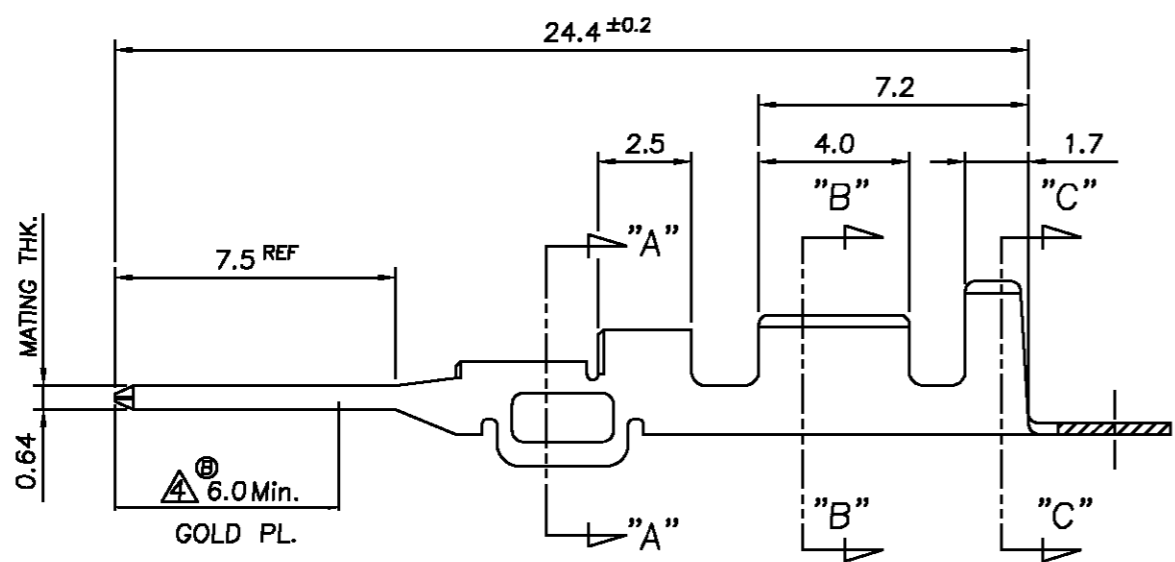
LOC	DIST	REVISIONS					
		P	LTR	DESCRIPTION	DATE	DWN	APVD
DS			O	RELEASED (PER RD97-246)	21/NOV/97	YM	CS
			A	REVISED (PER RD98-064)	16/MAR/98	YM	CS
			B	REDRAWN W/CHANGE (FC00-0065-04)	08/APR/04	JG	CS



SECTION "B-B"
 SCALE=10/1



SECTION "C-C"
 SCALE=10/1



SECTION "A-A"
 SCALE=10/1

- * NOTES
 ▲ THREE SERRATIONS CENTERED IN WIRE BARREL.
 ▲ 0.15 MAX GAP PERMISSIBLE.
 ⊙ 3 WIRE SIZE EQUIV CAVUS 0.85 ~ AVS 1.25 sqmm.

▲ SELECTIVE GOLD PRE-TINNED	BRASS STRIP 0.30THK.	1- 368087 -1 ⊙ 368087 -1
FINISH	MATERIAL	PART NUMBER

DIMENSIONS: mm TOLERANCES UNLESS OTHERWISE SPECIFIED: 0 <XX<10 ± 0.2 10<XX<30 ± 0.25 ANGLES ± 3°		DWN: JG MOON CHK: BM JANG APVD: CS LEE PRODUCT SPEC 108-61021 APPLICATION SPEC 114-61004 WEIGHT NET; 0.36gf		tyco Electronics AMP KOREA, kyungsan, korea	
3rd ANGLE PROJECTION		NAME .090 II MLC TAB CONTACT		SIZE CAGE CODE DRAWING NO RESTRICTED TO A3 00779 C= 3 6 8 0 8 7	
MATERIAL FINISH		SCALE 5/1 SHEET 1 OF 1 REV B			