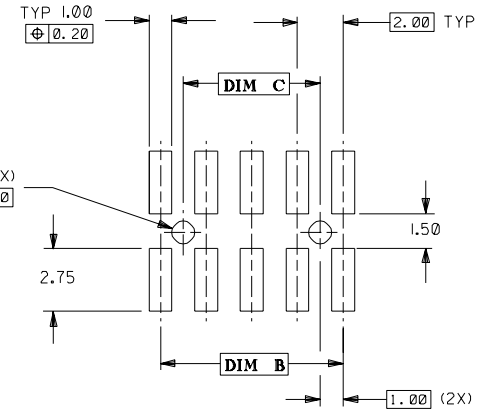
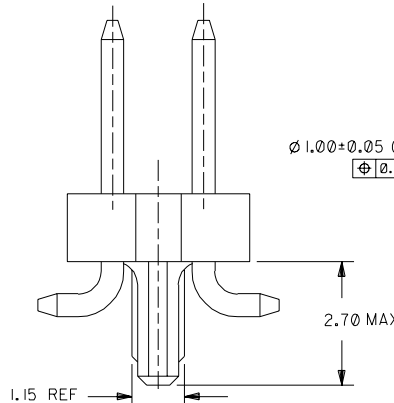
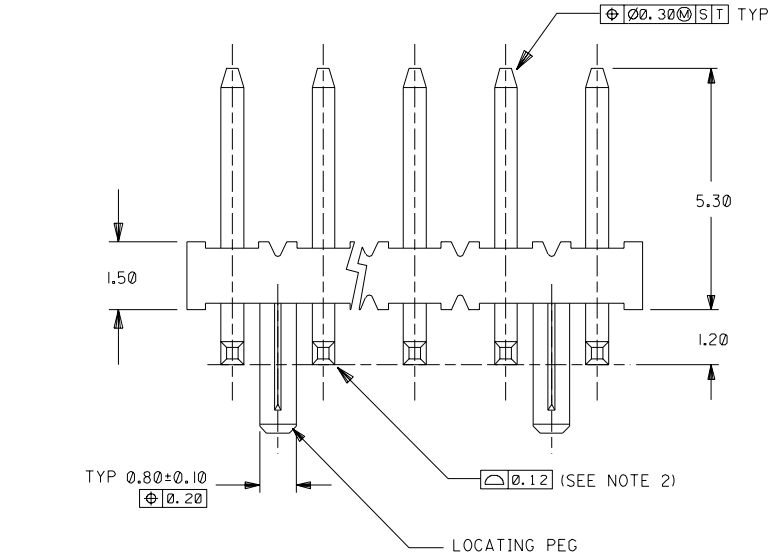


NOTES:

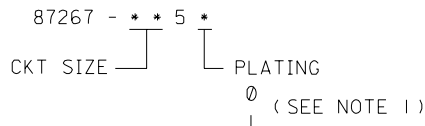
- PLATING FINISH :
 - 0 - 0.38um/15u" MIN. GOLD IN CONTACT AREA
1.90um/75u" MIN. TIN/LEAD
IN SOLDER TAIL AREA BOTH OVER
1.27um/50u" MIN. NICKEL OVERALL
 - 1 - 0.76um/30u" MIN. GOLD IN CONTACT AREA
1.90um/75u" MIN. TIN/LEAD
IN SOLDER TAIL AREA BOTH OVER
1.27um/50u" MIN. NICKEL OVERALL
- COPLANARITY IS TO BE MEASURED BY RESTING THE SOLDER TAIL ON A GAUGE SURFACE.
- PRODUCT SPECIFICATION PS-87049 APPLIES.
- RECOMMENDED PC BOARD THICKNESS IS 1.60 ± 0.10mm.



RECOMMENDED PCB PATTERN
(SCALE 5 : 1)

PART NO.	CKT SIZE	DIM A	DIM B	DIM C
		MM	MM	MM
87267 - 085*	8	7.90	6.00	4.00
87267 - 105*	10	9.90	8.00	6.00
87267 - 125*	12	11.90	10.00	8.00
87267 - 145*	14	13.90	12.00	10.00
87267 - 165*	16	15.90	14.00	12.00
87267 - 185*	18	17.90	16.00	14.00
87267 - 205*	20	19.90	18.00	16.00
87267 - 225*	22	21.90	20.00	18.00
87267 - 245*	24	23.90	22.00	20.00
87267 - 265*	26	25.90	24.00	22.00
87267 - 285*	28	27.90	26.00	24.00
87267 - 305*	30	29.90	28.00	26.00
87267 - 325*	32	31.90	30.00	28.00
87267 - 345*	34	33.90	32.00	30.00
87267 - 365*	36	35.90	34.00	32.00
87267 - 385*	38	37.90	36.00	34.00
87267 - 405*	40	39.90	38.00	36.00
87267 - 425*	42	41.90	40.00	38.00
87267 - 445*	44	43.90	42.00	40.00
87267 - 465*	46	45.90	44.00	42.00
87267 - 485*	48	47.90	46.00	44.00
87267 - 505*	50	49.90	48.00	46.00

PART NUMBER LEGEND



E4	CHG COPLANAR FROM 0.15 TO 0.12. (ECN* S1999-0469)	-	SEE	990604	MATERIAL : HOUSING : HIGH TEMP. NYLON, 94V-0 COLOR - BALCK PIN : 0.5MM SO. PHOSPHOR BRONZE 510	MOLEX SINGAPORE PTE LTD SHEET 1 OF 1	
C3	CHG 1.15±0.10 TO 1.15 REF (B4)	S70290	SEE	961212			
C2	REVISED PER ECN*	S40411	JACK TAY	930709	FINISH : SEE NOTE 1	GENERAL TOLERANCES ± 0.20/008 DWG. NO. : SD 87267-**-50 REV C4	
C1	REVISED PER ECN*	S30411	WENG TAY	930224			
C	REVISED PER ECN*	S30046	JACK TAY	920610			
B	RTM PER ECN*	S2523	MAX ANG	920506			
A	REL TO TOOLING PER ECN*	S2456	MAX ANG	920323			
LTR	REVISION RECORD	ECN	DR	CHK	DATE		
REVISE ONLY ON CAD SYSTEM						DRAWN BY MAX LAI 920323	CHK'D BY G.W. ANG 920324
						APPR'D BY R. WONG 920324	SCALE 10 : 1
						TITLE : "MILLI-GRID" 2mm DUAL ROW SMT HEADER (WITH PEG)	