

THIS DRAWING IS UNPUBLISHED. RELEASED FOR PUBLICATION

© COPYRIGHT 4000-02A19K999/CO ELECTRONICS CORPORATION. ALL RIGHTS RESERVED.

LOC GZ DIST 00

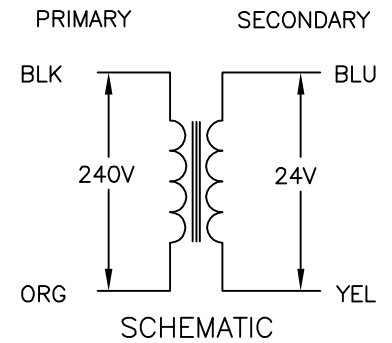
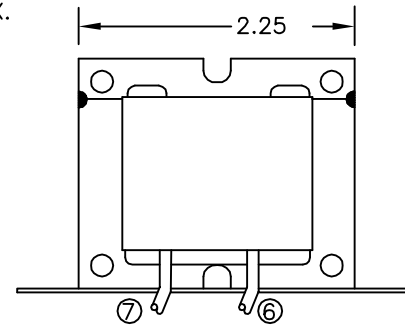
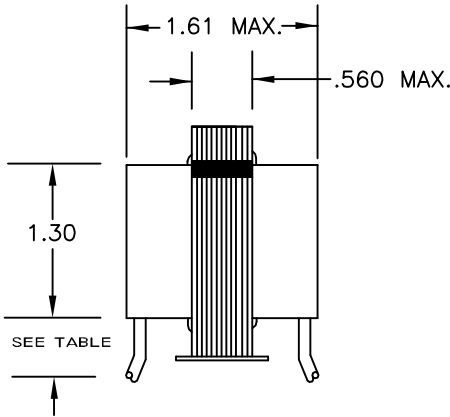
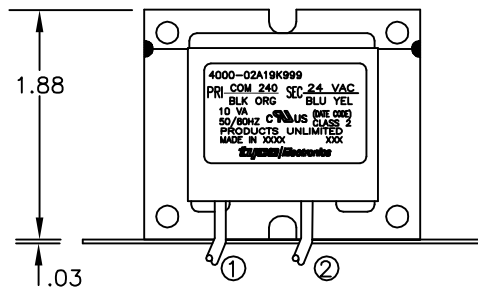
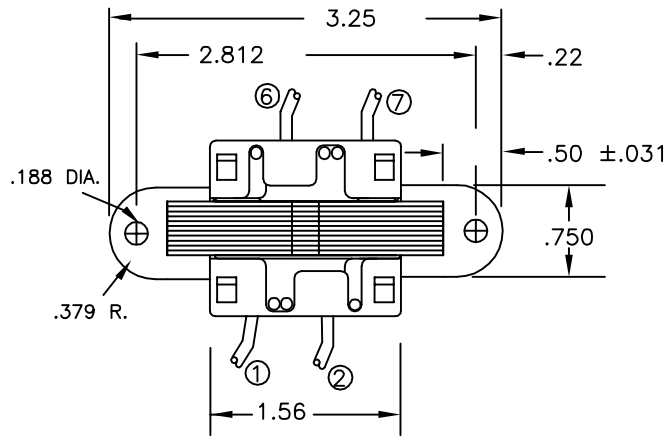
REVISIONS

P	LTR	DESCRIPTION	DATE	DWN	APVD
A		NEW FORMAT & EC0720-0054-04	02FEB04	MD	WS

ALL LEADS 18AWG-UNLESS OTHERWISE SPECIFIED			
PRIMARY			
LEAD NO.	1	2	
VOLTAGE	COM	240	
COLOR	BLK	ORG	
LENGTH	12.0	12.0	
STRIP LENGTH	.50	.50	

- NOTES
1. DIMENSIONS FOR REFERENCE ONLY.
 2. ALL LEADS +1"/-0" TOL.
 3. STRIP TOL. ±1/32
 4. WINDING PROTECTION-INHERENTLY LIMITING

CERTIFICATION: UL & CUL FILE NO. E87824		
SECONDARY		
LEAD NO.	6	7
VOLTAGE	24	VAC
COLOR	BLU	YEL
LENGTH	12.0	12.0
VOLTAGE	.50	.50



THIS DRAWING IS A CONTROLLED DOCUMENT.

DIMENSIONS:	TOLERANCES UNLESS OTHERWISE SPECIFIED:
INCHES	
0 PLC	± .
1 PLC	± .
2 PLC	± .
3 PLC	± .
4 PLC	± .
ANGLES	± 1°

MATERIAL	FINISH
-	-

DWN	M.DAVIS	02FEB04
CHK	W.SORAH	02FEB04
APVD	W.SORAH	02FEB04
PRODUCT SPEC		
APPLICATION SPEC		
WEIGHT		
CUSTOMER DRAWING		

CUST. NO.		TYCO PART NUMBER	
-		7-1611476-9	
		Tyco Electronics Corporation Harrisburg, Pa 17105-3608	
NAME			
TRANSFORMER OUTLINE			
-			
SIZE	CAGE CODE	DRAWING NO	RESTRICTED TO
A3	00779	C=4000-02A19K999	-
SCALE		SHEET	REV
NTS		1 OF 1	A