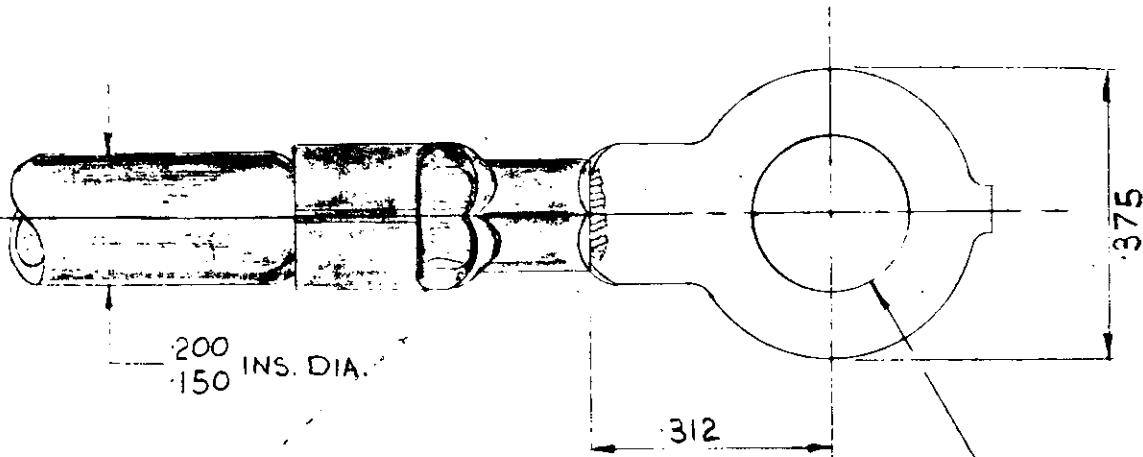
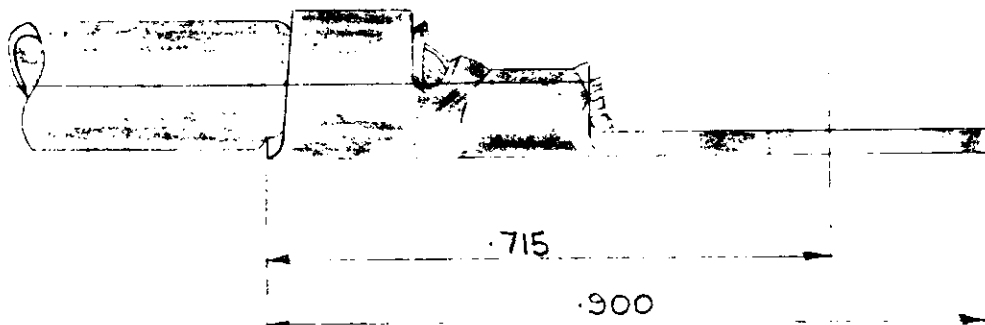


© AIRCRAFT-MARINE PRODUCTS (G.B.) LTD. 1959.



CUSTOMER COPY  
FOR REFERENCE ONLY

"D" DIA. HOLE  
(SEE TABLE)



TERMINAL	FINISH	DIA. "D"	STUPE
		$\pm .003$	$\pm .005$
150518-0	NONE	145	4 BA
150518-2	ELECTRO TIN	145	4 BA
150519-0	NONE	171	# 8
150519-2	ELECTRO TIN	171	# 8
<b>OBSOLETE</b> 150520-0	NONE	197	2 BA
150520-2	ELECTRO TIN	197	2 BA
150521-0	NONE	265	1/4
150521-2	ELECTRO TIN	265	1/4

MATERIAL:- .030 BRASS  $\pm .002$

HEAT TREATMENT :-

FINISH:- SEE TABLE

AIRCRAFT-MARINE PRODUCTS (G.B.) LTD  
INDUSTRIAL ESTATE, PORT GLASGOW.

WIRE TERMINAL  
RING

CLASS WT-R

TYPE AUTOMATIC

SIZE 16-14

TOLERANCES:- ALL DIMENSIONS  $\pm .015$  EXCEPT AS NOTED

NO.	ALTERATION	DATE	BY	N.D.C.
O1	ECR-10-000004	25MAR10	RK	
		22 12 69	LJR	

DR. J. Seagrave	17-6-59	TR.			SCALE: 4:1	REV. 01
CK. <i>[Signature]</i>	<i>[Signature]</i>	APP. <i>[Signature]</i>	<i>[Signature]</i>	<i>[Signature]</i>		

C-150518-21

C-150518-21

No. ALT