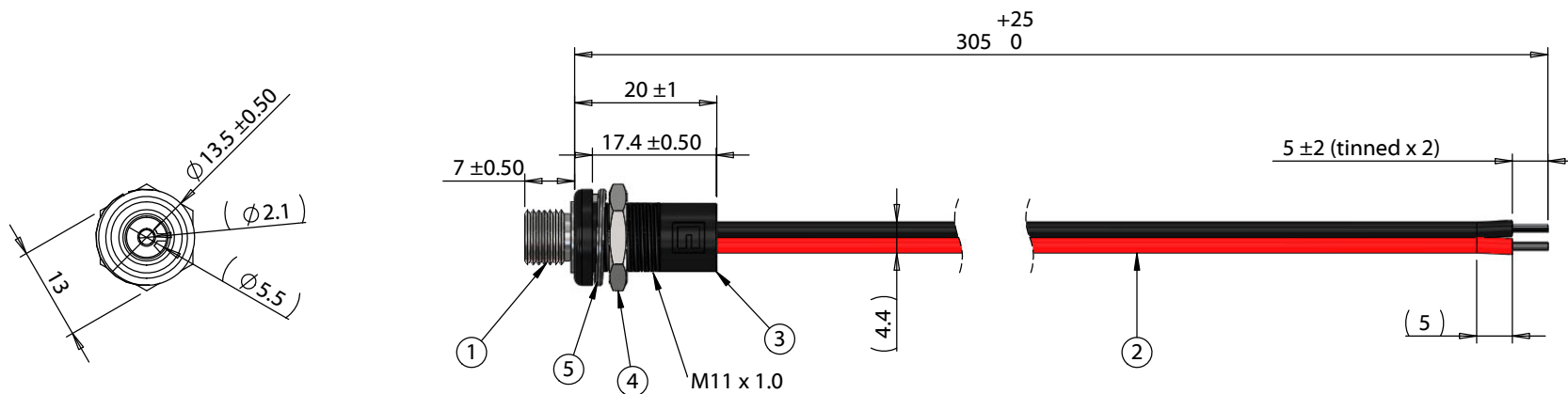


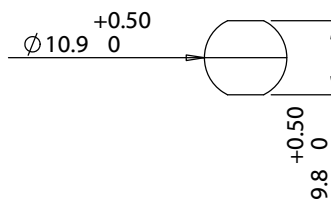
ITEM NO.	PART NUMBER	DESCRIPTION	QTY.	COMPONENT NOTES
1	50-00616	Connector, dc jack, 5.5x2.1x17.6mm, brass, nickel plated, molding type, threaded 5/16-32	1	
2	30-00795	Wire, 2C TS, 18 AWG, UL2651, 300V, 105C, 4.4 mm, VW-1, PVC, red and black	1	
3	24-00333	Overmold, threaded panel mount jack, Nylon, M11x1.0	1	Black
4	56-00000	Hardware, nut, hex, 13x2.5 mm, M11x1.0, brass, nickel plated	1	
5	56-00001	Hardware, washer, lock, 14x11.1x1.1 mm, SPCC, nickel plated	1	



Installation Details

Panel thickness: 1.5 - 4.5

Recommended panel cutout:



Notes:

Functionally equivalent components may be substituted
Cable rated for 48 V, 7.5 A

Wiring Diagram	
50-00616	Wire Color
Center	Red
Sleeve	Black

Revision:	Date:	Description:	Prepared:	Notes:	<h1>TENSILITY</h1> <p>tel 1.541.323.3228 800 877.670.7118 fax 1.541.323.4202 web tensility.com</p>
A	6/1/2020	Initial release	Verified:	RoHS compliant	
			Dimensions are in millimeters. Tolerances: X: ± 0.5 mm X.X: ± 0.3 mm X.XX: ± 0.05 mm	Function test: no open, no short circuit, no intermittent	
				Description: Cable, 305 mm, 5.5x2.1 mm 50-00616 dc panel mount jack to stripped and tinned, 18 AWG, 30-00795	
Scale: 1:1		Part number: 10-03672		Sheet 1 of 1	

5

4

3

2

1