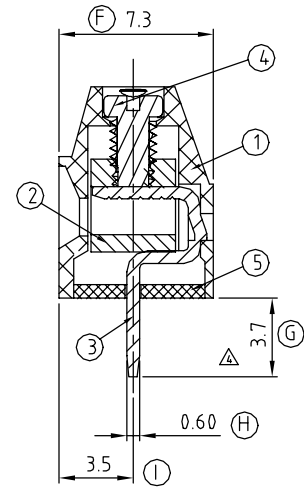
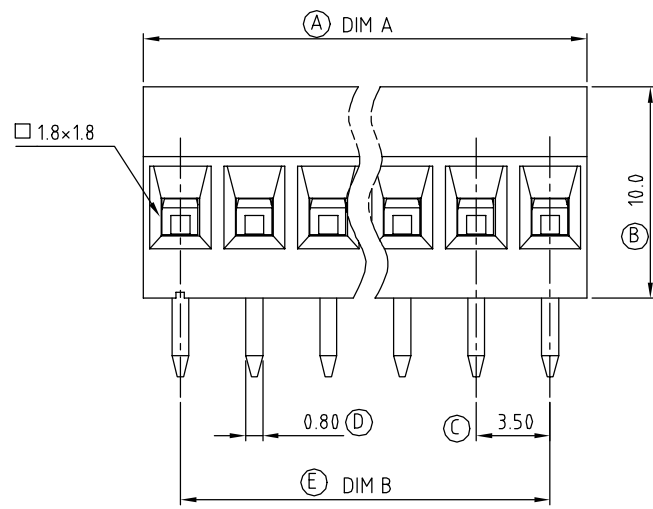


N= Number of Contacts

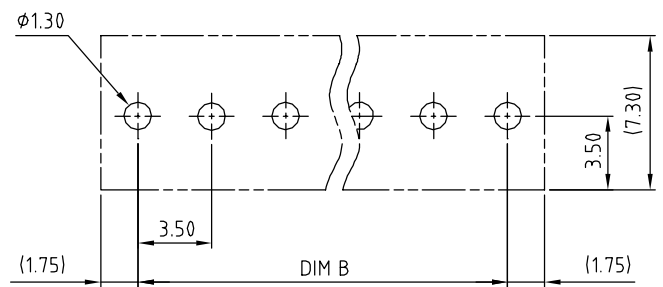
DIM A	Nx3.5
DIM B	(N-1)x3.5

2p-6p	±0.15
7p-12p	±0.25
13p-19p	±0.35
20p-24p	±0.40



SECTION A-A

N= Number of Contacts



P.C.B. LAYOUT

SIGN	DATE	DESCRIPTION	APPROVER
△	01/30/07	Soldering temperature changed from 245° to 250°	Tason
△	01/30/07	Part NO is Changed	Tason
△	07/02/09	Operating temperature changed from -30°C to +105°C to -40°C to +115°C	Aaron
△	07/02/09	dimension is changed from 3.5mm to 3.7mm	Aaron
△	02/25/11	Add is cULus	Aaron

THIS IS CAD DRAWING, DO NOT REVISE MANUALLY!!!

Material:

- Item 1 Terminal housing :Thermoplastic (UL 94V-0)
- Item 2 Clamp : Brass, Ni plated
- Item 3 Wire guard solder pin : Brass, Tin plated
- Item 4 Terminal screw: Steel Zinc plating"- "slot type
- Item 5 Terminal housing(cover):Thermoplastic (UL 94V-0)

Electrical: cULus

- Voltage rating: 300V
- Current rating: 10A
- Wire range:
- Solid wire(AWG): 16-30
- Stranded wire(AWG): 16-30
- Torque: 1.7 Lb-In
- Screw: M2
- Wire strip length: 5-6mm
- Withstanding Voltage: 1.6 KV
- △ ● Operating temperature: -40°C to +115°C
- △ ● Soldering temperature: 250°C±10°C/5 Sec
- △ ● Safety Approval:

△ VQ xx 11 x 0 xxxx G

No. of poles	0	Black (RAL9005)	0000:"@ "Logo (Standard)
02	2 CONTACTS	5 Green(RAL6018/T)	000A:"ANYTEK" Logo
03	3 CONTACTS	6 Blue (RAL5015/A)	Any special item by customer request,
...	...	8 Grey(RAL7035/D)	please contact sales department.
24	24 CONTACTS	0 Green(RAL6018/U)	

RoHS
Pb<40,000ppm

ANYTEK

CUSTOMER COPY

ALL RIGHTS RESERVED. REPRODUCTION OR ISSUE TO THIRD PARTIES IN ANY FORM WHATEVER IS NOT PERMITTED WITHOUT WRITTEN AUTHORITY FROM THE PROPRIETOR. PROPERTY OF ANYTEK TECHNOLOGY CO., LTD

TITLE		VQ 3.5 Dip solder Series (With cover)	
PART NO.	VQxx11x0xxxxG	DWG NO.	8VQ0007
APPROVED	CHECKED	DESIGNED	DRAWN
		Aaron 2011.02.25	Aaron 2009.07.02
SHEET: 01/01		Tolerance	
		UNIT: mm	X. ±0.50
		SCALE: NONE	X.X ±0.30
		REV.: D	X.XX ±0.10
			X° ±1°