

Company	Trenz Electronic GmbH
PCN Number	PCN-20210125a
Title	TE0729-02 DDR3, Flash, EMMC Change and Product Update
Subject	BOM change
Issue Date	(2021-01-25), Revised 2021-03-09

1 Products Affected

This change affects all Trenz Electronic TE0729 SoMs of revision 02: TE0729-02-*

Affected Product	Changes	Replacement
TE0729-02-2IF	#1, #3, #4, #5	TE0729-02-62I63FA
TE0729-02-2IRA	#1, #4, #5	TE0729-02-62I65FM
TE0729-02-2IF-K	#1, #3, #4, #5	TE0729-02-62I63FAK
TE0729-02-02IF-S	#1, #3, #4, #5	TE0729-02-62I63FAS

2 Changes

2.1 #1 Change DDR3 RAM (U1) from IM4G16D3FABG-125I to IS43TR16256BL-125KBLI

Type: BOM change

Reason: Component is end of life.

Impact: New DDR timings may be considered in designs. DDR3 setup used in reference design is known to work still.

2.2 #2 Replaced Flash (U13) from S25FL256SAGBHI20 to IS25LP512M-RHLE

Type: BOM change

Reason: Ensure long time availability.

Impact: Jedec Manufacturer ID changed from 01h to 9Dh, the device ID from 18h to 19h. 512Mbit flash are now available.

Type: No change

Reason: The planned IS25LP512M-RHLE is listed as 'Supported Flash Memory Devices for Zynq-7000 Device Configuration' in Xilinx UG908 (since version 2019.1), but there are unsolved problems with reboot after petalinux was started. Therefore this change is canceled.

Impact: Nothing is changed, Jedec Manufacturer ID is 01h, the device ID 18h. Size does not change, 256 Mbit flash are available.

2.3 #3 Change eMMC (U5) from MTF4GACAJCN-4M IT to IS21ES08G-JCLI

Type: BOM change

Reason: Improve availability.

Impact: The eMMC capacity changed from 4 GByte to 8 GByte.

2.4 #4 Clock Revision Change (U10, U12, U14) SiT8008AI-... to SiT8008BI-...

Type: BOM change

Reason: Switch to actual revision. Revision A devices may be discontinued.

Impact: None.

2.5 #5 Set S/N to not fitted

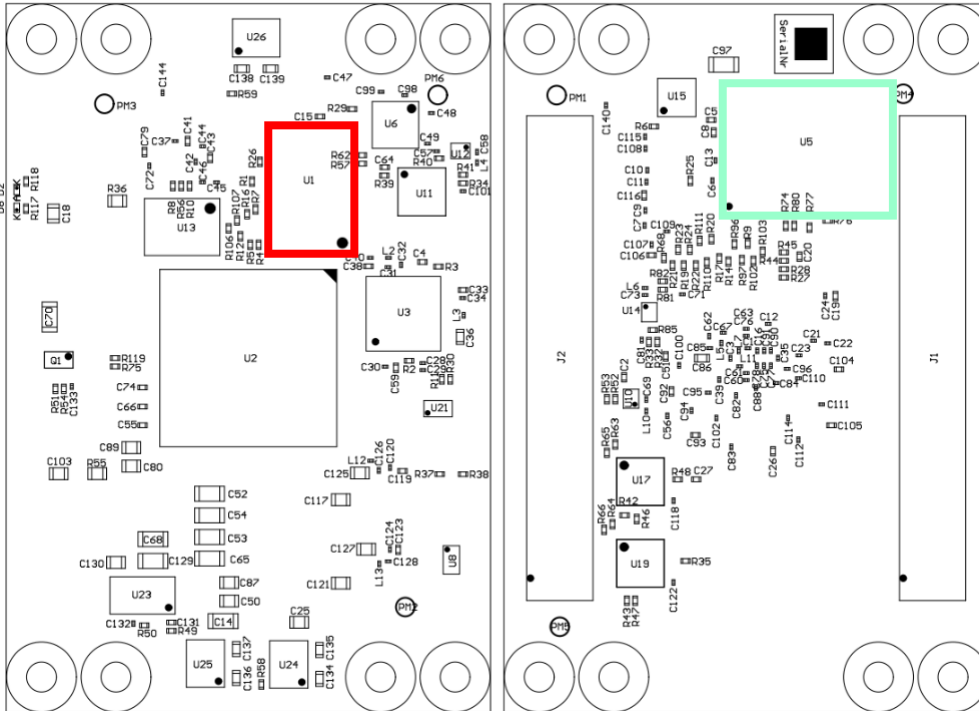
Type: BOM change

Reason: Part is end of life.

Impact: Track it pad no more available.

3 Method of Identification

Locate DDR3 RAM (U1) on top side and EMMC on bottom side of PCB:



old	new
IM4G16D3FABG-125I	IS43TR16256BL-125KBLI
	
MTFC4GACAJCN-4M IT	IS21ES08G-JCLI

old	new
	

4 Production Shipment Schedule

From end of Juli 2021, after old stock is gone.

5 Contact Information

If you have any questions related to this PCN, please contact Trenz Electronics Technical Support at

- forum.trenz-electronic.de¹
- wiki.trenz-electronic.de²
- support@trenz-electronic.de³ (subject = PCN-20210125a)
- phone
 - national calls: 05741 3200-0
 - international calls: +49 5741 3200-0

6 Disclaimer

Any projected dates in this PCN are based on the most current product information at the time this PCN is being issued, but they may change due to unforeseen circumstances. For the latest schedule and any other information, please contact your local Trenz Electronic sales office, technical support or local distributor.

¹ <http://forum.trenz-electronic.de/>

² <http://wiki.trenz-electronic.de/>

³ <mailto:support@trenz-electronic.de?subject=PCN-20210125a>