

1

2

3

4

5

6

7

8

A

B

C

D

E

TECHNICAL DATA

D-SUBMINIATURE CONNECTORS

SHELL : Steel

Finish : Tinned

BODY : Glass filled thermoplastic.

Flame complies to UL94 V-0

Color : Black

CONTACTS : Material for pins : Brass,Material for socket : Bronze.

Finish of contact mating area:

Gold plating over Nickel on mating side.

tin plated on rear power contact

ELECTRICAL : Voltage rating 300 V Rms to 50 Hz

Nominal current 7.5 A (Size 8)

Withstanding Voltage >1000 V Rms to 50 Hz

Contact resistance 50 mOhms max.

Insulator resistance >5000 M Ohms

CLIMATIC : Temperature range -55°C up to 155°C

Damp heat 56 days(40 °C-95% HR)

Other climatic specification in accordance with

NF C93-425 Sheet HE507

MECHANICAL : Insertion force per contact 12N <F<25N(Size 8)

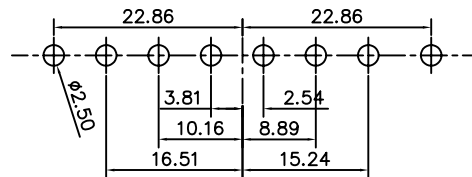
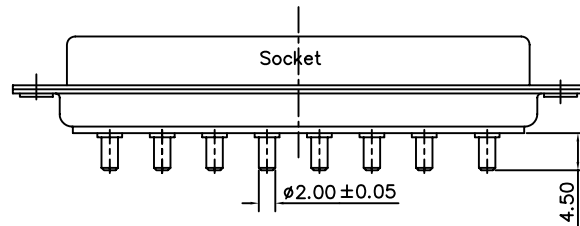
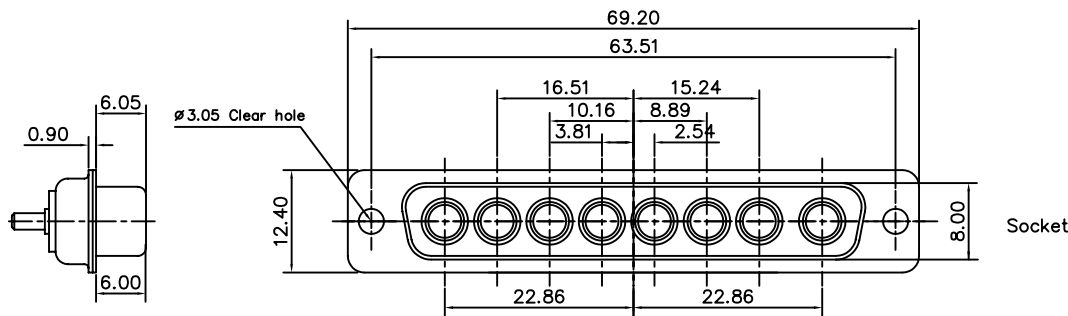
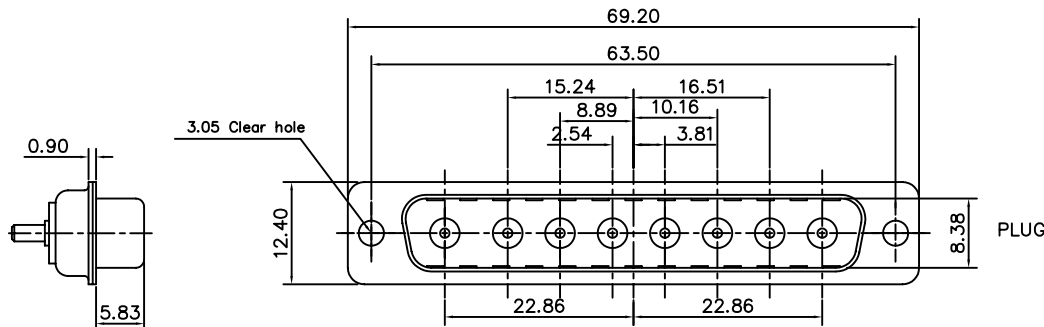
Extraction force per contact 3N MINI.(Size 8)

Mating and unmating force size C 120N Max.4.5 N min.

MARKING : Amphenol-...(Series No.)

Commercial reference

Manufacturing date



PRODUCT CODE

L 717TW C 8W8 P P2Y

L: RoHS Compliance

717TW Tinned or Nickel Shell for Receptacle
717TW Tinned or Nickel Shell with Dimples monobloc
16u" Gold plating

Shell Size :C

Power contact:
 $\phi 2.00mm$ (10-20A)

Contact type:
S:Female
P: Male

Configuration
8 cavities size8

Amphenol

TOL. GEN. : +/-0.30

VOLUME:

AREA:

PLATING:

TREATMENT:

MATERIAL:

SERIES	
NUMBER SERIES	TW
DATE	2006.11.17

FILE:	
DESIGNATION	D-SUB CONNECOTR

CUSTOMER	MODIFICATIONS	DRAW	DATE	APPROVE	IND.
COMERCIAL PART NUMBER			11/17'06	Stefan	A
L717TWC8W8PP2Y					