

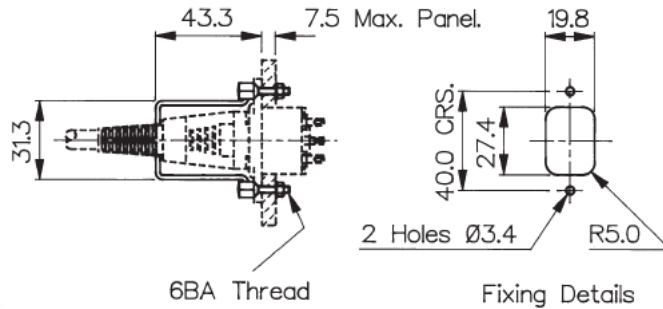


TITLE: HVT 2.0 Power Cord Retention Kit

1.0 Description

Contains:

- QTY 2 Standoffs W/Hole
- QTY 1 Retaining Clip



2.0 Manufacturer Data

1. Manufacturer: Bulgin
2. Manufacturer Part Number: KT0006

3.0 Attachments

- Bulgin Cord Retainer Kit.pdf
- REACH.pdf
- RoHS.pdf

4.0 Notes:

- 4.1 Parts must comply with European directive 2011/65/EU (RoHS 2) and (EU) 2015/863 (ROHS 2 amendment)
- 4.2 Parts must comply with EU REACH regulations on an ongoing basis
- 4.3 Vendors shall not make any changes to the validated design specifications prior to approval from VapoTherm.
- 4.4 Certificate of compliance shall be sent with the packing slip for each shipment, or may be faxed or sent separately, so long as it arrives prior to or with delivery

REVISION HISTORY			
REV	ECO	DESCRIPTION	DATE
A	22-072	Initial Release	1-Jun-2022