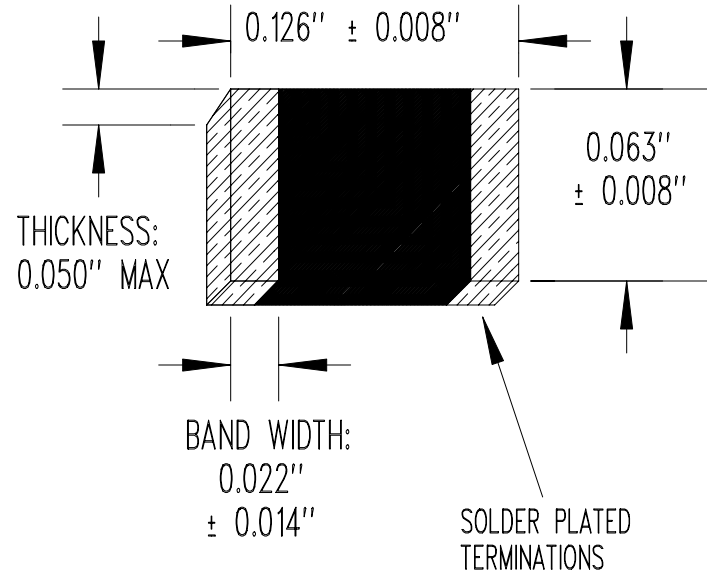


RESISTANCE/TEMPERATURE TABLE			
TEMP (°C)	RESIS (Ω)	TEMP (°C)	RESIS (Ω)
-40	1,707,110	45	21,732
-35	1,227,742	50	17,903
-30	893,410	55	14,827
-25	657,354	60	12,342
-20	488,747	65	10,323
-15	366,991	70	8,675
-10	278,151	75	7,322
-5	212,690	80	6,207
0	164,005	85	5,283
5	127,474	90	4,519
10	99,833	95	3,881
15	78,749	100	3,345
20	62,545	105	2,895
25	50,000	110	2,513
30	40,224	115	2,190
35	32,566	120	1,914
40	26,526	125	1,679

RESISTANCE @ +25°C = 50,000 Ω ± 5%
 BETA "β" (+25 TO +85°C) = 4,000°K NOMINAL
 POWER RATING = 400 mW/°C
 OPERATING TEMPERATURE RANGE = -40 TO +125°C

SEE MANUFACTURING SPECIFICATION (LAYER 1)



NONE	RELEASE TO PRODUCTION	02/26/04	DD
REV	REVISION RECORD	DATE	APP

SCALE	NONE	U.S. SENSOR CORP. 1832 W. COLL INS AVE. ORANGE, CA. 92867 714-639-1000 www.ussensor.com THERMISTOR, NTC CHIP P/N LR503LOJ
DRAWN BY	DAN DANKERT	
DATE	02/26/04	
REV.	NONE	
LAYER	0 OF 2	