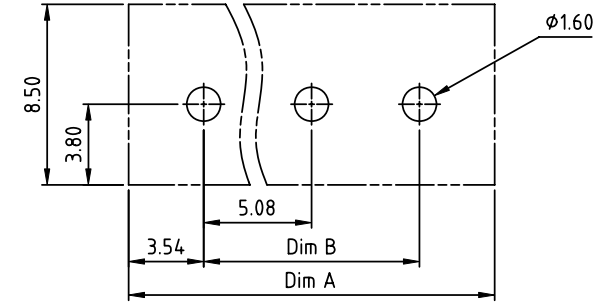
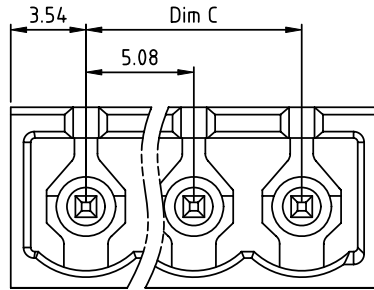
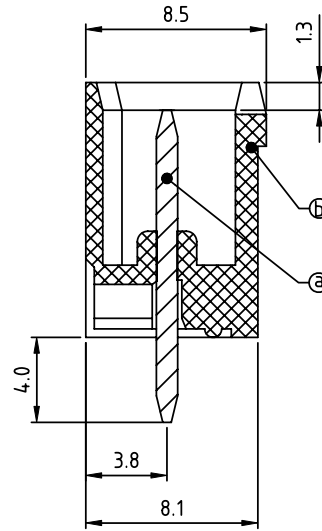
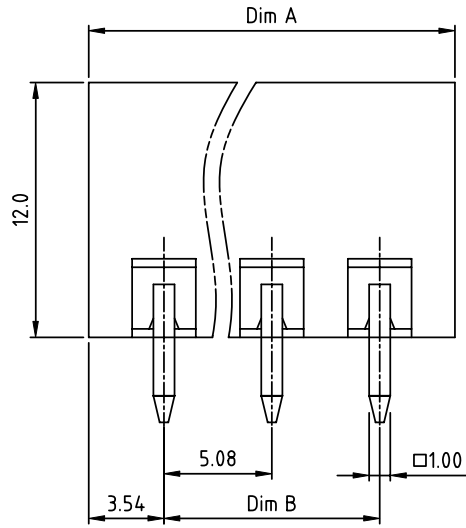


PRODUCT NUMBER	PITCH
OQxx54x000J0G	5.08 mm



RECOMMENDED P.C.B LAYOUT  
TOP VIEW



Material:

- Item ① Male contact pin: Copper Tin plated
- Item ② Terminal housing: Thermoplastic (UL94V-0)

Electrical:

- Voltage rating: 300V/300V/300V
- Current rating: 20A/20A/20A
- Withstanding Voltage: 1.6 KV/2.5KV/2.5KV
- Operating temperature: -40°C to +115°C
- Soldering temperature: 260°C±5°C/5 Sec
- Safety Approval: cULus /VDE /TUV



DIMENSION

Dim A	Nx5.08+2.0
Dim B&C	(N-1)x5.08
N = Number of poles	
Poles	Tolerance
2-6p	±0.15
7-12p	±0.20
13-18p	±0.30
19-24p	±0.40

PART NO.: OQ xx 5 4 x 0 00J0 G

		Body Color	RoHS compliant
No. of poles	0	Black (RAL9005)	(lead<4%)
02 2 poles	2	Red (RAL3001/D)	In copper Alloy
03 3 poles	3	Orange(RAL2011/P)	
...	4	Yellow(RAL1018/A)	
24 24 poles	5	Green(RAL6018/T)	
	6	Blue (RAL5015/A)	
	8	Grey(RAL7035/D)	
	9	White(RAL1102)	
	C	Green(RAL6018/U)	

mat'l. code	surface ASME Y14.5	tolerance ASME Y14.5	projection	product family TERMINAL BLOCK
ltr	ecn	no	dr	date
tolerances unless otherwise specified			MM	title TERMINAL BLOCK
angles	φ	X.±0.5	scale	PLUGGABLE SOCKET,CLOSE TYPE,VERTICAL
X°±1'	φ	X.X±0.3	dwg no	sheet 1 of 1 size
		X.XX±0.1	OQxx54x000J0G	A4
dr	HANKE FENG	040314	type	CUSTOMER Drawing
enr	HANKE FENG	040314		
chr	SHI JUN	040314		
appd	SHI JUN	040314		
sheet index	revision	A		
	sheet	1		