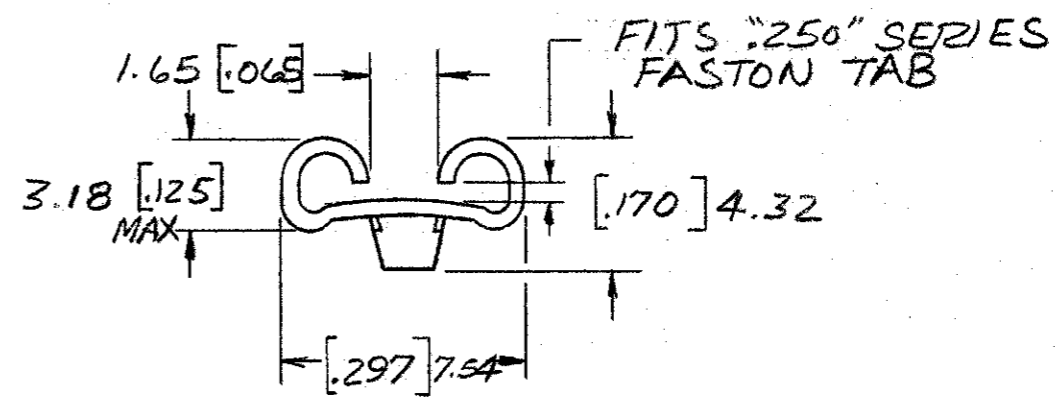
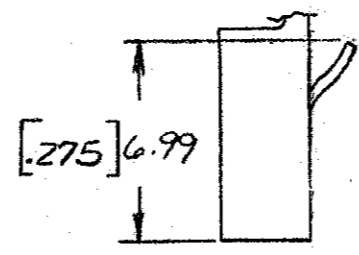
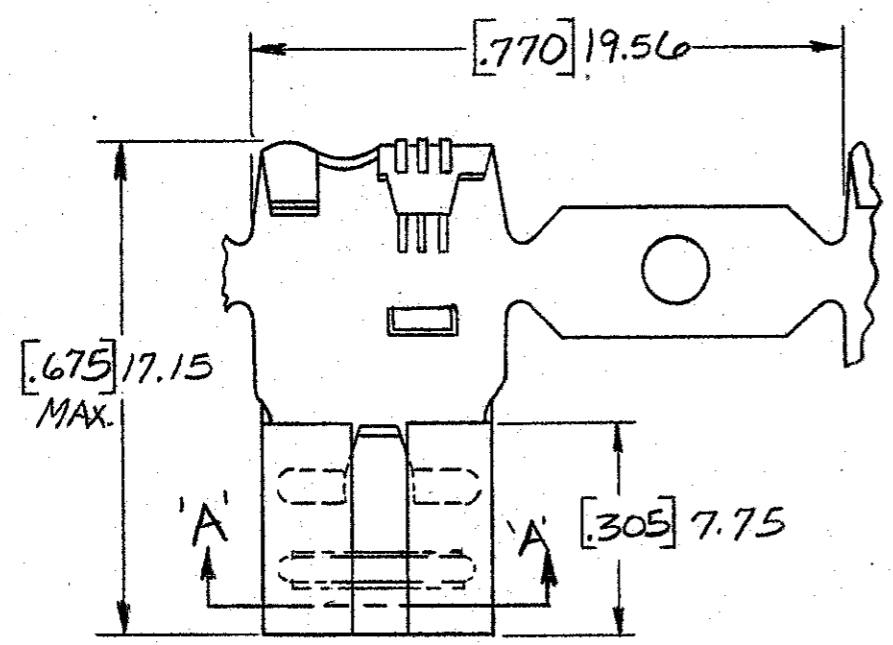


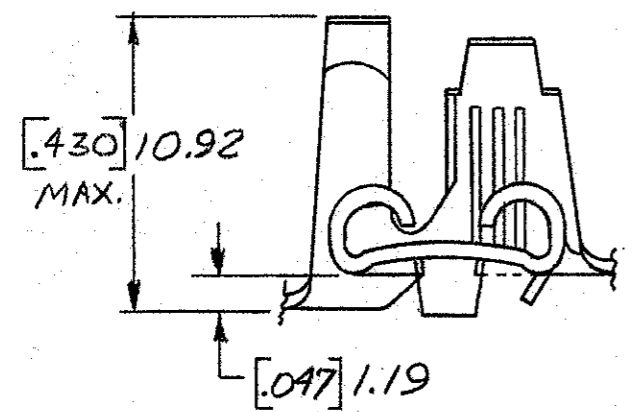
THIS DRAWING IS UNPUBLISHED. RELEASED FOR PUBLICATION, 19

© COPYRIGHT 19 BY AMP INCORPORATED, HARRISBURG, PA. ALL INTERNATIONAL RIGHTS RESERVED. AMP PRODUCTS MAY BE COVERED BY U.S. AND FOREIGN PATENTS AND/OR PATENTS PENDING.

REVISIONS						
P	F	ZONE	LTR	DESCRIPTION	DATE	APPROVED
✓	✓		N	REVISED PER ECR-13-005733	22AUG13	PD



SECTION A-A



1 - DIM'S. IN BRACKETS ARE IN INCHES  
2 - CONTINUOUS STRIP ON REELS

	TIN	PHOS. BRZ.	[.110-.210] 2.79-5.33	[18-12] 0.8-3.0mm <sup>2</sup>	[.032] 0.81	42284-5
OBSOLETE	NONE	PHOS. BRZ.	[.110-.210] 2.79-5.33	[18-12] 0.8-3.0mm <sup>2</sup>	[.032] 0.81	42284-4
OBSOLETE	SILVER	BRASS	[.110-.210] 2.79-5.33	[18-12] 0.8-3.0mm <sup>2</sup>	[.032] 0.81	42284-3
OBSOLETE	TIN	BRASS	[.110-.210] 2.79-5.33	[18-12] 0.8-3.0mm <sup>2</sup>	[.032] 0.81	42284-2
OBSOLETE	NONE	BRASS	[.110-.210] 2.79-5.33	[18-12] 0.8-3.0mm <sup>2</sup>	[.032] 0.81	42284-1

FINISH	MATL.	INSULATION RANGE	WIRE SIZE	TAB THK.	PART NO
UNLESS OTHERWISE SPECIFIED DIMENSIONS ARE IN INCHES. METRIC TOLERANCES ON: DECIMALS [±.015] 0.38 ANGLES [±] 0.38	[.016] 0.41	CONTRACT NO	DR <i>JR Pott</i> 1-24-83	TE Connectivity NAME .250 SERIES FLAG FASTIN-FASTON RECEPTACLE	
FINISH SEE ABOVE	APPD <i>J. K...</i> 1/16/83	CHK <i>G. Yetter</i> 1-25-83	APPD <i>J. K...</i> 1/25/83	APPD <i>J. K...</i> 1/16/83	SIZE <b>B</b> FSCM NO <b>00779</b> DRAWING NO <b>42284</b> SCALE <i>H</i> SHEET