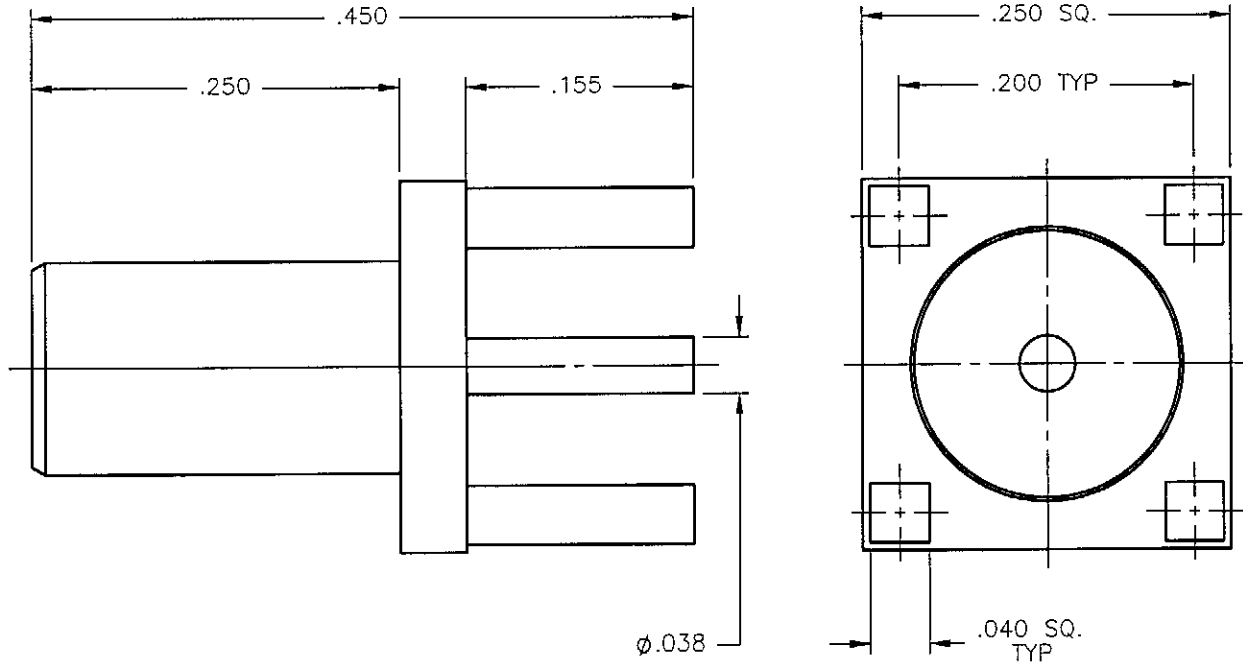


REVISIONS			
REV.	DESCRIPTION	DATE	APPROVED
B	ECO #7397	12/19/08	M.J.



NOTES:



MATERIALS:

1. BODY & CONTACT = BRASS PER ASTM B16, ALLOY C36000, TEMPER H02.
2. INSULATOR = VIRGIN WHITE TEFLON PER ASTM D1710, GRADE 1, TYPE I, CLASS "B".

FINISHES:

1. BODY = GOLD PLATE PER MIL-G-45204, TYPE II, CLASS 0, GRADE C, OVER .00010 TO .00020 COPPER STRIKE PER MIL-C-14550.
2. CONTACT = GOLD PLATE PER MIL-G-45204, TYPE II, CLASS 1, GRADE C, OVER .00010 TO .00020 STRESS FREE SULFAMATE NICKEL PER QQ-N-290.

Property of Radial Incorporated
 This document cannot be reproduced or
 communicated to a third party without prior
 written permission of RADIALL Incorporated.

UNLESS OTHERWISE SPECIFIED DIMENSIONS ARE IN INCHES TOLERANCES ON	DWN:	DATE	 APPLIED ENGINEERING PRODUCTS 104 John W. Murphy Dr. New Haven, CT 06513 a RADIALL company			
	M.J.	12/19/08				
DECIMAL	ANGLE	CHKD:	DATE	SLB STRAIGHT MALE JACK P.C.B. MOUNT RECEPTACLE		
		D.N.	12/19/08			
		APVD:	DATE			
REFERENCE:	MATERIALS & FINISHES:		SIZE	FSCM NO.	DWG NO.	REV
ORIGINATED: Y.T. DATE: 01/05/87	SEE NOTES		A	19505	3009-1511-005	B
			SCALE 8:1	THIRD ANGLE PROJECTION 		SHEET 1 OF 1

3009-1511-005