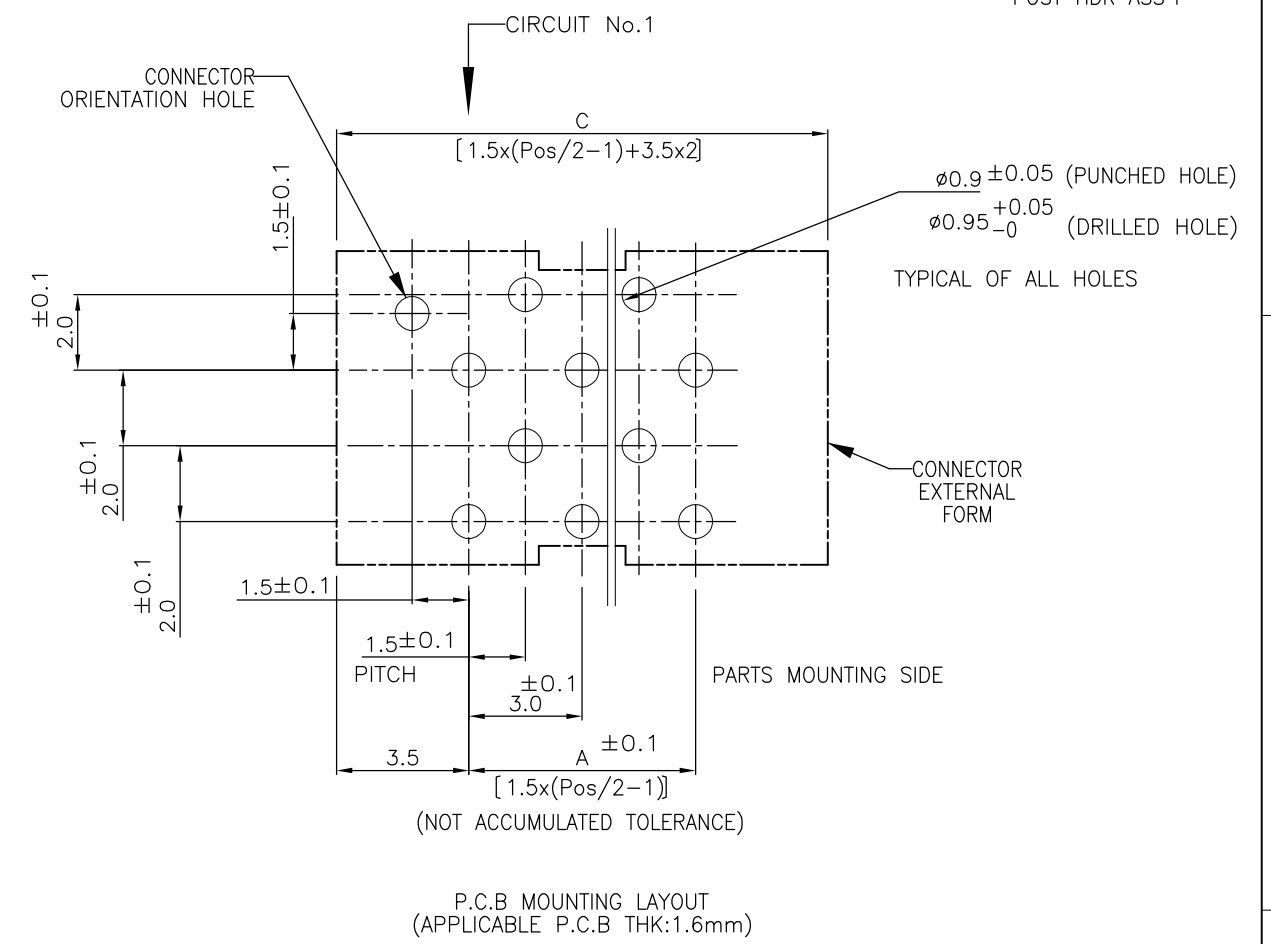
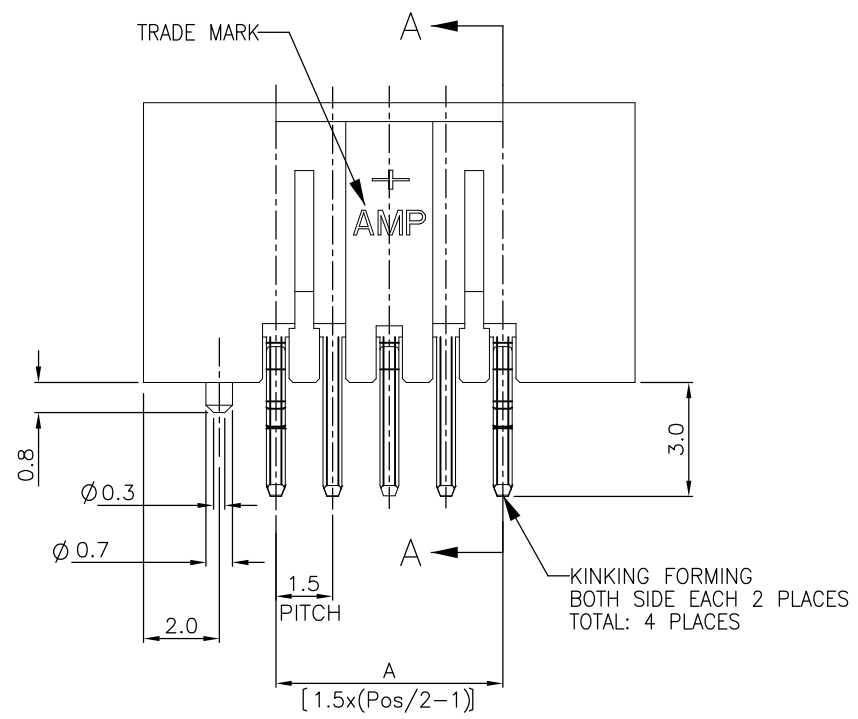
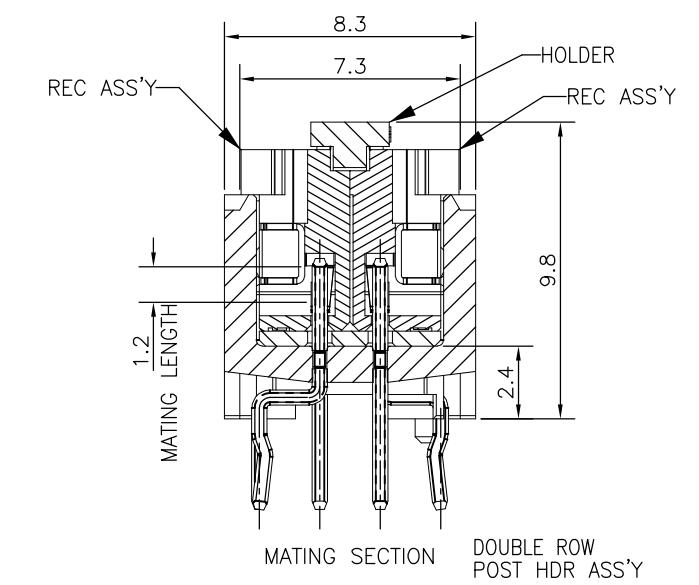
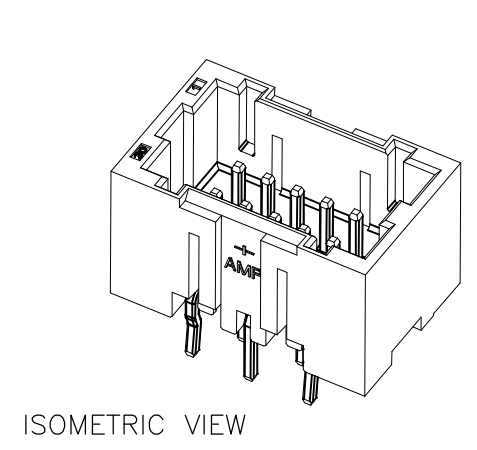
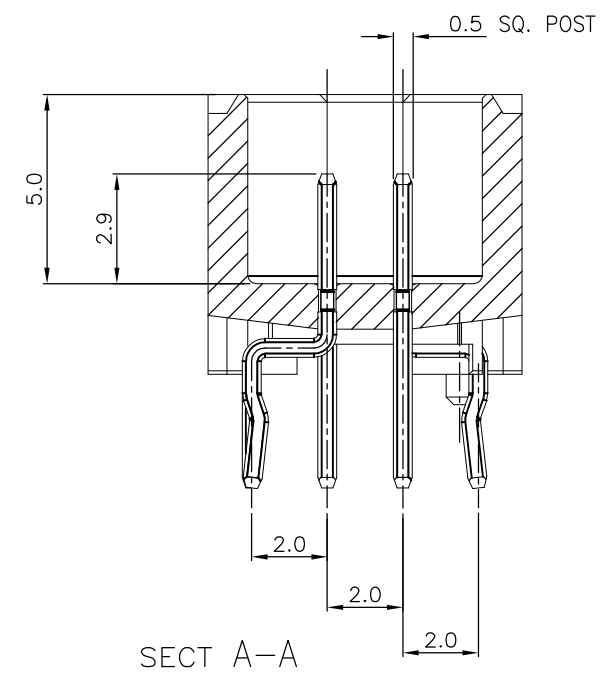
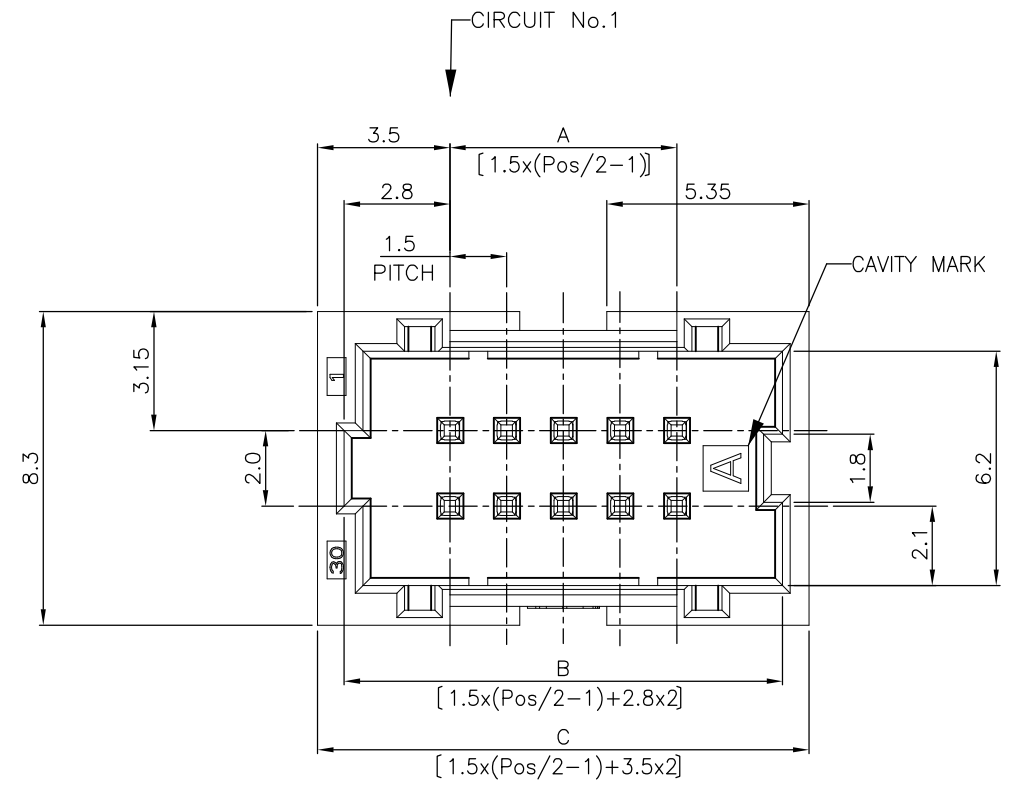


THIS DRAWING IS UNPUBLISHED. RELEASED FOR PUBLICATION - ,04FEB03
 © COPYRIGHT - By - ALL RIGHTS RESERVED.

LOC	DIST	REVISIONS					
FB	00	P	LTR	DESCRIPTION	DATE	DWN	APVD
		P		REVISED PER ECO-11-005033	26MAR11	RK	HMR



TOLERANCES UNLESS OTHERWISE SPECIFIED:

10 ≥ *	: ±0.2
30 ≥ * > 10	: ±0.25
100 ≥ * > 30	: ±0.3
ANGLE	: ±3°

NOTES:
 1. MATERIAL:
 HOUSING: NYLON(G.F.) UL94V-0, COLOR: GRAY,BLUE
 POST: PRE-TIN 0.5mm SQ. BRASS WIRE

THIS DRAWING IS A CONTROLLED DOCUMENT.		DWN	S.YAO	31JAN03	STE TE Connectivity													
DIMENSIONS: mm		CHK	S.YAO	31JAN03														
TOLERANCES UNLESS OTHERWISE SPECIFIED:		APVD	T. SASAKI	31JAN03														
MATERIAL SEE NOTE 1		PRODUCT SPEC	NAME															
<table border="1"> <tr> <td>0 PLC</td> <td>± -</td> </tr> <tr> <td>1 PLC</td> <td>± -</td> </tr> <tr> <td>2 PLC</td> <td>± -</td> </tr> <tr> <td>3 PLC</td> <td>± -</td> </tr> <tr> <td>4 PLC</td> <td>± -</td> </tr> <tr> <td>ANGLES</td> <td>± -</td> </tr> <tr> <td>FINISH</td> <td>± -</td> </tr> </table>		0 PLC	± -	1 PLC	± -	2 PLC	± -	3 PLC	± -	4 PLC	± -	ANGLES	± -	FINISH	± -	APPLICATION SPEC	AMP Mini CT Connector 1.5mm Pitch Double Row Post HDR Ass'y (V) DIP Staggered Type with Boss with Kink	
0 PLC	± -																	
1 PLC	± -																	
2 PLC	± -																	
3 PLC	± -																	
4 PLC	± -																	
ANGLES	± -																	
FINISH	± -																	
SEE NOTE 1		WEIGHT	108 - 60018		RESTRICTED TO													
		CUSTOMER DRAWING	SIZE	114 - 5223														
			CAGE CODE	SEE TABLE														
			DRAWING NO	A300779														
			SCALE	C-292208														
			SHEET	1 OF 2														
			REV	P														

LOC	DIST	REVISIONS					
FB	00	P	LTR	DESCRIPTION	DATE	DWN	APVD
			-	SEE SHEET 1	-	-	-

1.67	35.5	34.1	28.5	40	9-292208-0	4-292208-0
1.60	34.0	32.6	27.0	38	8-292208-8	3-292208-8
1.53	32.5	31.1	25.5	36	8-292208-6	3-292208-6
1.46	31.0	29.6	24.0	34	8-292208-4	3-292208-4
1.38	29.5	28.1	22.5	32	8-292208-2	3-292208-2
1.31	28.0	26.6	21.0	30	8-292208-0	3-292208-0
1.24	26.5	25.1	19.5	28	7-292208-8	2-292208-8
1.17	25.0	23.6	18.0	26	7-292208-6	2-292208-6
1.10	23.5	22.1	16.5	24	7-292208-4	2-292208-4
1.03	22.0	20.6	15.0	22	7-292208-2	2-292208-2
WEIGHT (g)	C	B	A	Pos.	BLUE	GRAY
	DIMENSIONS				PART NO	

RELEASED FOR PUBLICATION

ALL RIGHTS RESERVED.

THIS DRAWING IS UNPUBLISHED.

By -



DIMENSIONS: mm	DWN	-	MATERIAL	-	FINISH	-
	CHK	-	TE Connectivity			
TOLERANCES UNLESS OTHERWISE SPECIFIED:	APVD	-				
0 PLC ± -	PRODUCT SPEC	-	NAME AMP Mini CT Connector 1.5mm Pitch			
1 PLC ± SEE SHEET	APPLICATION SPEC	-	Double Row Post HDR Ass'y (V) DIP Staggered Type with Boss with Kink			
2 PLC ± 1 OF 2	WEIGHT	-	SIZE	CAGE CODE	DRAWING NO	RESTRICTED TO
3 PLC ± -			A4	00779	C-292208	-
4 PLC ± -			CUSTOMER DRAWING			
ANGLES ± -			SCALE	NON	SHEET	2 OF 2
					REV	P