

# PC Board Sockets

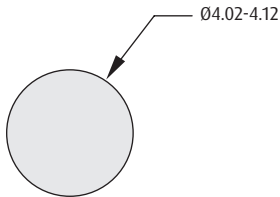
## Ø2.00mm Mating Pin

- Compatible with Ø2.00mm mating pins.
- Uses six finger Beryllium Copper contact for high-reliability performance.

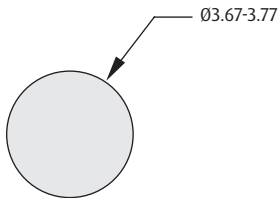


### Specifications

Mating pin size: Ø2.00 - 2.30mm  
 Contact depth: 4.10mm max  
 Pin length: See individual sockets

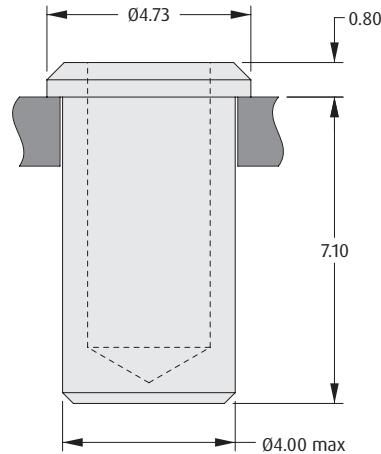


Recommended PC Board Pattern for 7.1mm Body Length (H3492-XX)



Recommended PC Board Pattern for 8mm Body Length (H3490-XX)

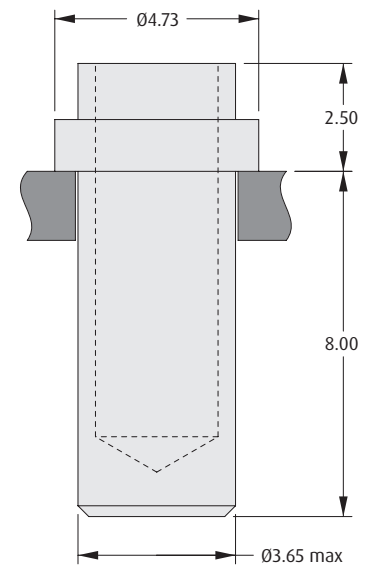
### 7.1mm BODY LENGTH



ORDER CODE	FINISH
H3492-01	Gold contact, Tin shell

Maximum Pin Length = 6.30mm

### 8mm BODY LENGTH



ORDER CODE	FINISH
H3490-01	Gold contact, Tin shell

Maximum Pin Length = 8.50mm

All dimensions in mm.