

NOTES:

1.0 MATERIALS

1.1 HOUSING AND COUPLING NUT: STAINLESS STEEL PER ASTM-A582, TYPE 303.

1.2 CENTER CONTACT: BERYLLIUM COPPER ROD PER ALLOY C172, PER ASTM B196.

1.3 DIELECTRIC: PTFE FLUOROCARBON PER ASTM-D1457.

2.0 PLATING

2.1 HOUSING AND COUPLING NUT: PASSIVATED PER QQ-P-35 AND MIL-F-14072.

2.2 CENTER CONTACT: GOLD PER MIL-G-45204 TYPE II, CLASS 2.

3.0 ELECTRICAL SPECIFICATIONS

3.1 FREQUENCY RANGE: DC to 18.0 GHz.

3.2 VSWR (MAX): 1.07+.015 fGHz

3.3 IMPEDANCE: 50 OHMS.

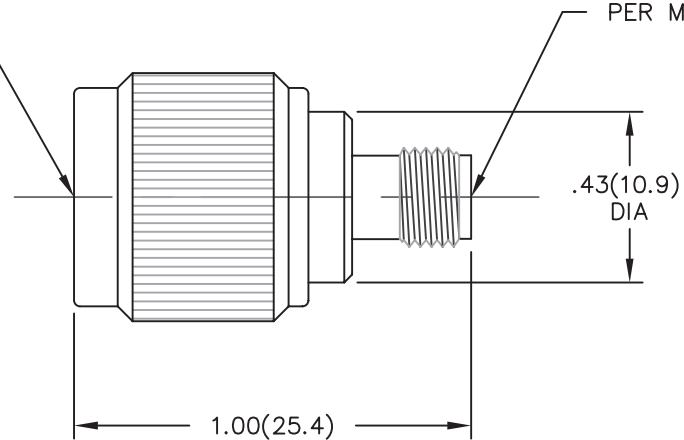
4.0 MARKING

4.1 MARKING NOT REQUIRED.

5.0 DIMENSIONS IN PARENTHESIS ARE MILLIMETERS.

TNC PLUG
PER MIL-C-39012

SMA JACK
PER MIL-C-39012



MODEL NUMBER
ADT-2686-TM-SMF-02

REV.	DESCRIPTION	DATE
-	RELEASED	12/2/82
A	ECR 1526	5/19/82
B	ECR 1561	6/21/82
C	ECR 1747	10/12/82
D	ECR 6545	7/10/89
D1	UPDATE MOD #	8/5/92
E	REDRAW ON CAD UPDATE DIM. SPECS. TO CATALOG SPECS.	11/24/92
F	ECN 18450	3/28/02

DWG. NO. WAS: 04178-01-00

<p>NOTICE: The information contained in this drawing is proprietary and must not be used without the permission of Cinch Connectivity Solutions.</p> <p>UNLESS OTHERWISE NOTED DIMENSIONS ARE IN INCHES AND TOLERANCES ARE: 3 PLACE DECIMALS ±.005 2 PLACE DECIMALS ±.02 FRACTIONS ±1/64 PARALLELITY: T.I.R. FLATNESS: T.I.R. CONCENTRICITY: T.I.R. ANGLES AND PERPENDICULARITY: ±1'</p>		<p>CAGE CODE 34078</p>	<p>MIDWEST MICROWAVE</p>	
<p>cinch CONNECTIVITY SOLUTIONS a bel group</p>		<p>TITLE ADAPTER OUTLINE DRAWING</p>		
<p>DRAWN/DATE M.HOLLMAN 11/24/92</p>	<p>ENG./DATE A.OSGA 12/2/92</p>	<p>DRAWING NUMBER ADT-2686-TM-SMF-02-01</p>		<p>REV. F</p>
<p>CHECKED/DATE A.BEATTY 12/1/92</p>	<p>APPROVED/DATE G.HOUGHTON 3/28/02</p>	<p>SCALE: 5=1</p>		<p>SHEET 1 of 1</p>