

Chandler, JUNE 3rd, 2021

HDMI / DVI DISCONTINUE AND CHANGE NOTICE

Following part number/series **are discontinued**:

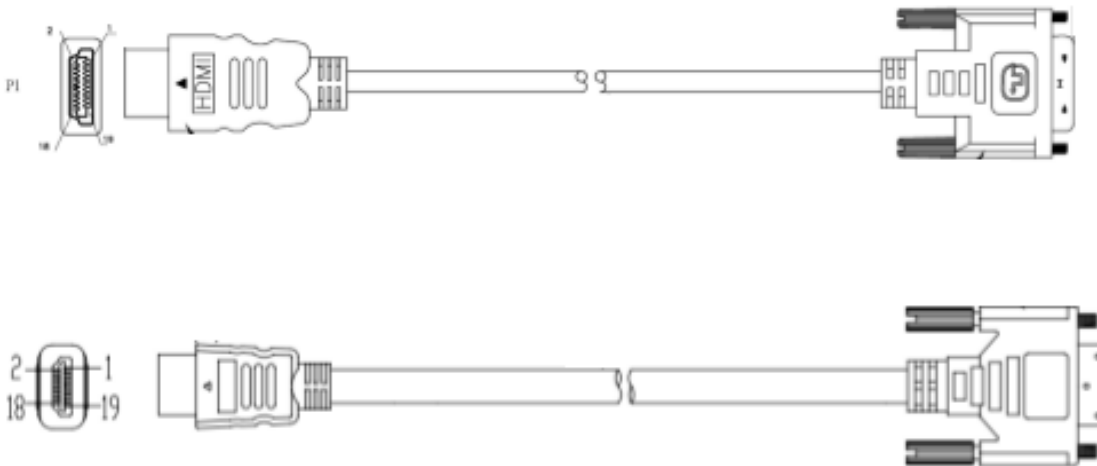
740-100**10**-OXXXX

740-100**11**-OXXXX

and replaced by:

740-100**12**-OXXXX CBL HDMI A 19PMale to A 19PMale 28AWG, VERS 2.0

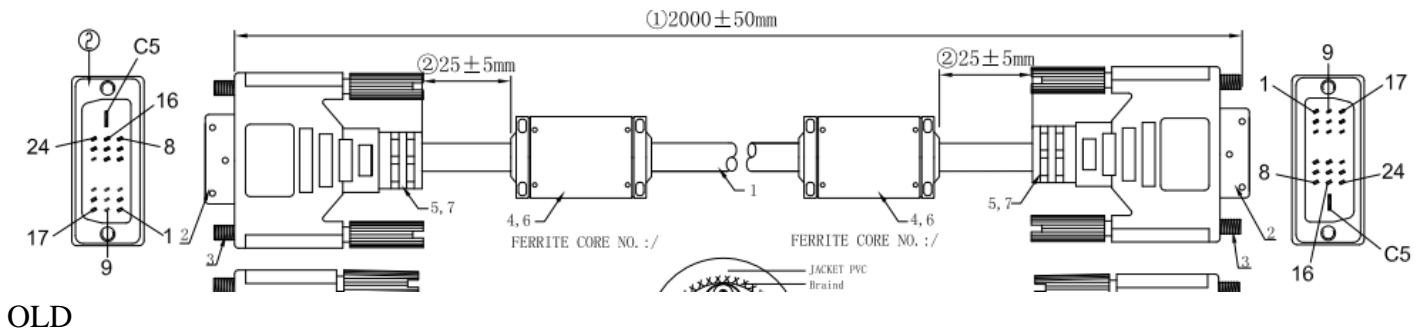
741-10010-OXXXX series DESIGN will change – NEW **AFTER 21/04**
Drawings are shown on our web page.



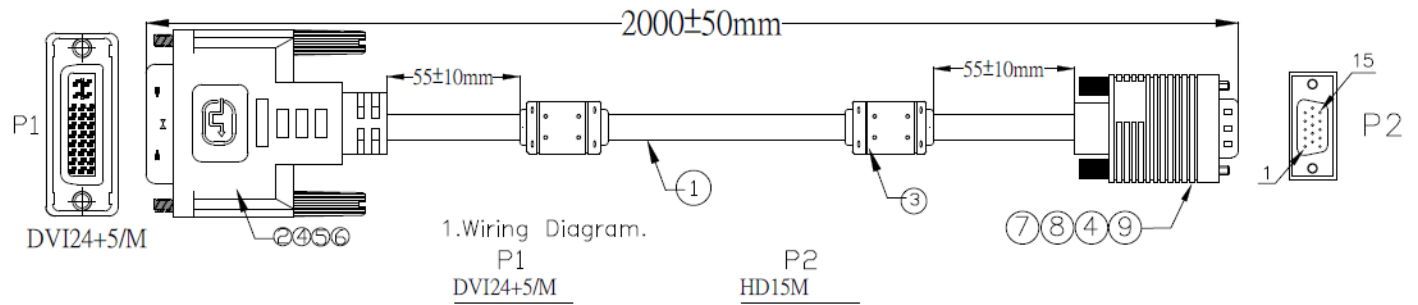
No changes on the **742-10010-OXXXX** series

750-10010-00XXX series, DVI 18+1 M/M

Main change besides design changes, will be the space between the Ferrite (-mold) and Connector (mold):



OLD



NEW

CnC Tech

Industrial Cable and Connector Technology

Please review online drawings for ALL changes.

Regards,

H. Meyer
CnC Tech