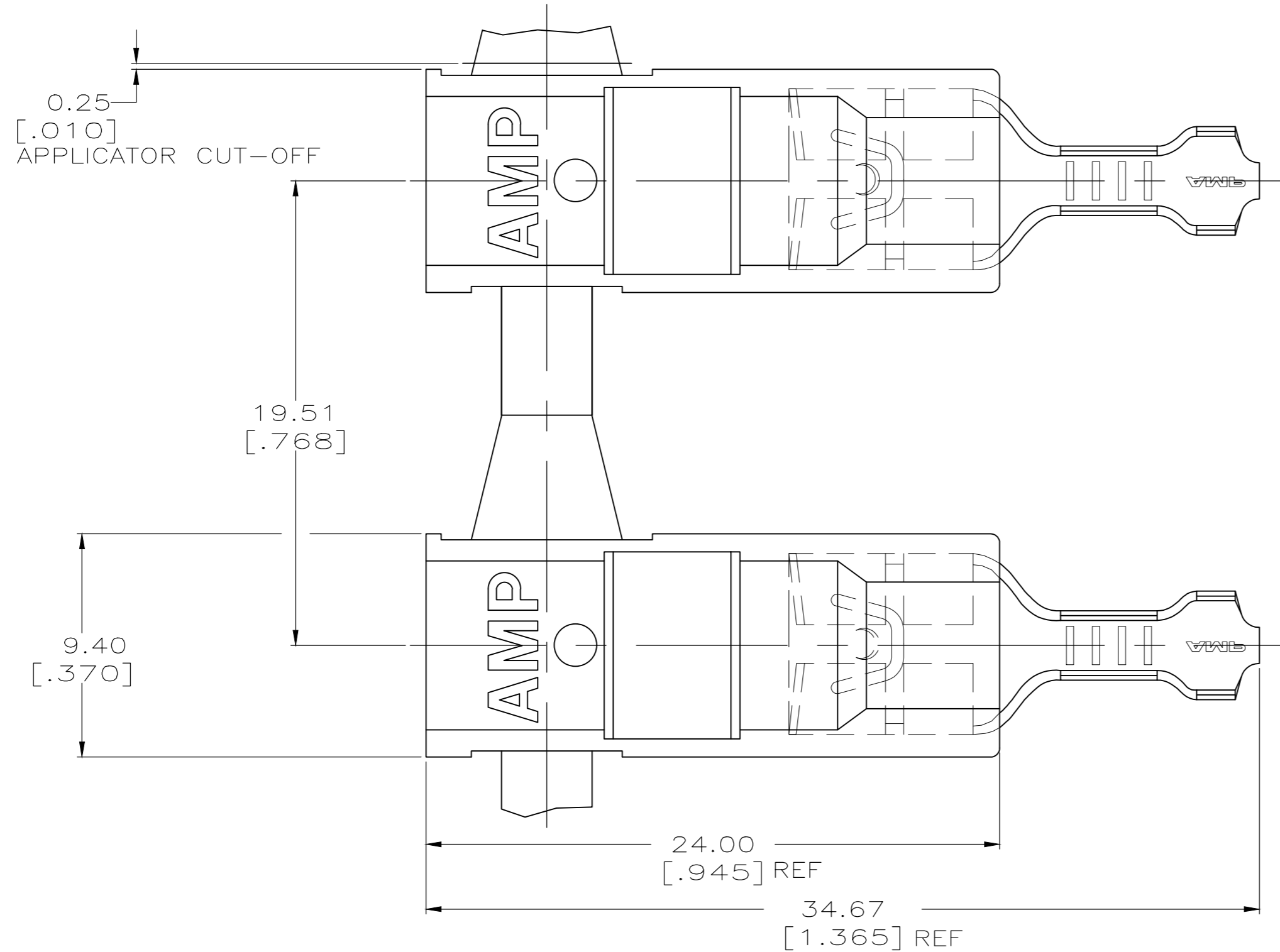
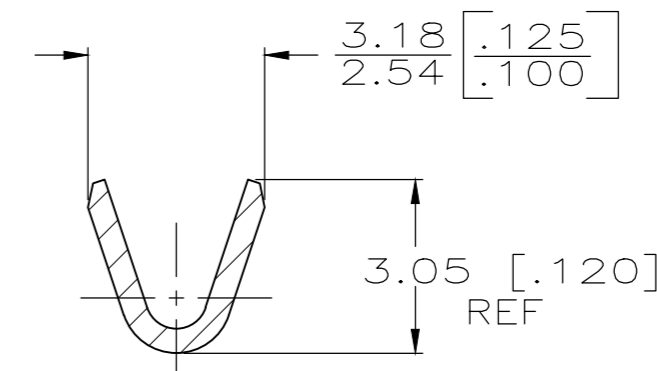


THIS DRAWING IS UNPUBLISHED. RELEASED FOR PUBLICATION  
 © COPYRIGHT - By - ALL RIGHTS RESERVED.

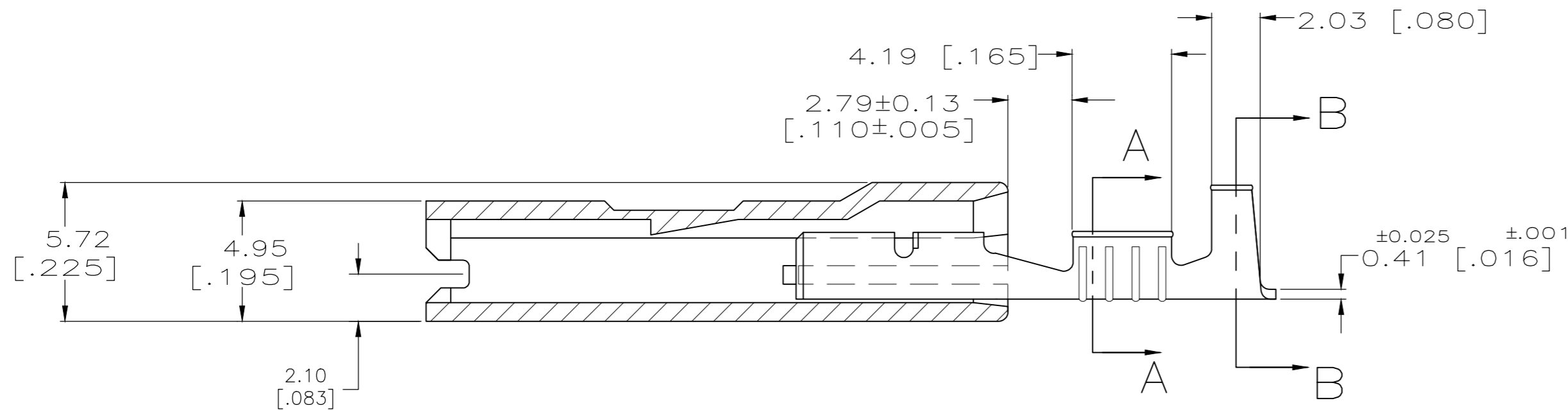
REVISIONS					
P	LTR	DESCRIPTION	DATE	DWN	APVD
C1		REVISED PER ECR-19-018127	10AUG20	AA	EW



- 1 LOW-INSERTION FASTON TERMINALS, BASE PART NUMBER 2238027, ARE USED IN THIS PRODUCT.
- 2 OFFERED FOR CONSIDERATION IN APPLICATIONS REQUIRING "NON-DRIP" HOUSING MATERIAL.
- △3 PRE-PRODUCTION FASR REQUIRED.
- 4 WIRE SIZE: 0.3-0.8 MM<sup>2</sup> [22-18]
- 5 INSULATION RANGE: 2.29-3.30 [.090-.130]
- 6 MATING TAB THICK: 0.81±0.025[.032#.001]
- △7 GLOW WIRE APPROVED: CONTACT TE ENGINEERING FOR SPECIFICATION ( ALL WALL THICKNESS ARE BETWEEN 0.4 - 3.0 [.015-.118] ).
- △8 OBSOLETE PARTS
- △9 AGENCY APPROVAL IS PENDING.



SECTION A-A  
SCALE 8:1



SECTION B-B  
SCALE 8:1

△9	TIN PLATE	66 NYLON V0 NATURAL	1969161-5
△8	TIN PLATE	NATURAL, V2, WHITE	△7 △3 1969161-3
SUPERCEDED BY 1969161-5		TIN PLATE	△3 1969161-2
	PLAIN	NYLON 66, V0 NATURAL ( WHITE)	△8 △3 1969161-1
	TERMINAL FINISH	HOUSING	PART NO

THIS DRAWING IS A CONTROLLED DOCUMENT.		DWN 13OCT09 RAGHAVENDRA	TE Connectivity Ltd.	
DIMENSIONS: mm [INCHES]		CHK 13OCT09 G PORTA	NAME	
TOLERANCES UNLESS OTHERWISE SPECIFIED:		APVD 13OCT09 G PORTA	ASSEMBLY, HOUSING & RECEPTACLE, 6.35 [.250] SERIES ULTRA-POD	
0 PLC ± -	1 PLC ± -	PRODUCT SPEC 108-1285	SIZE	CAGE CODE
2 PLC ± 0.25 [.010]	3 PLC ± -	APPLICATION SPEC 114-2124	A2	00779
4 PLC ± -	ANGLES ± -	WEIGHT 0.000000	DRAWING NO	RESTRICTED TO
MATERIAL BRASS	FINISH SEE TABLE	CUSTOMER DRAWING	C=1969161	-
SCALE 5:1			SHEET 1 OF 1	REV C1