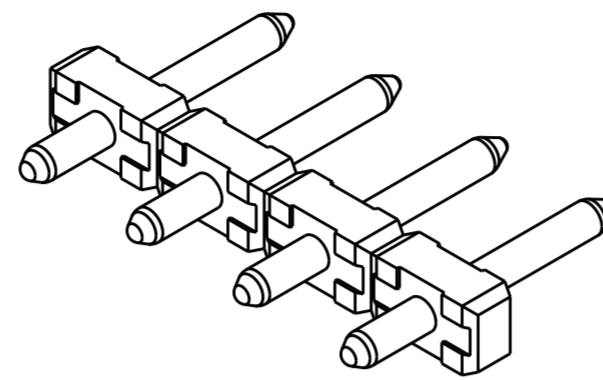
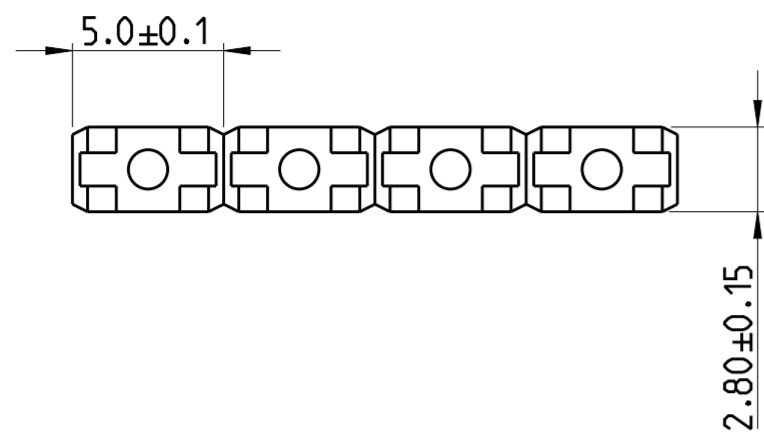
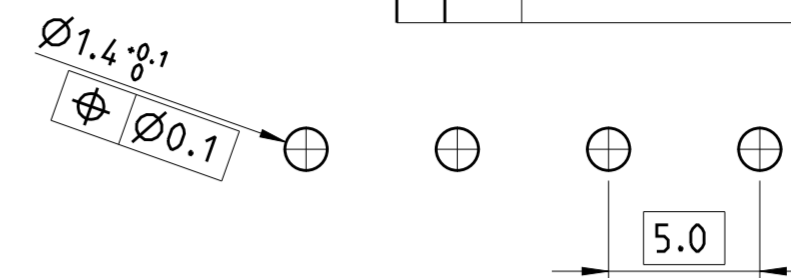


THIS DRAWING IS UNPUBLISHED. RELEASED FOR PUBLICATION 20
 (C) COPYRIGHT 20 ALL RIGHTS RESERVED.

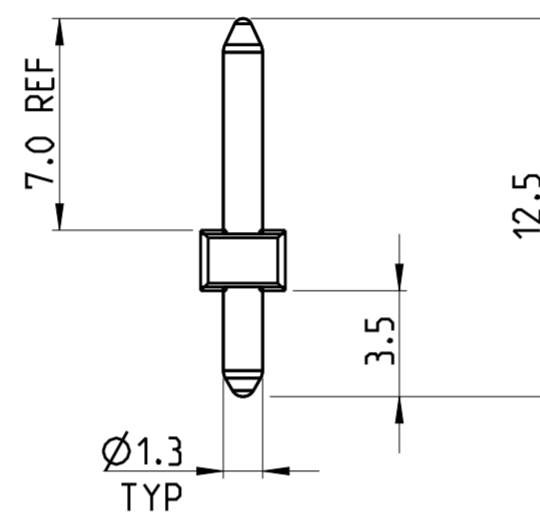
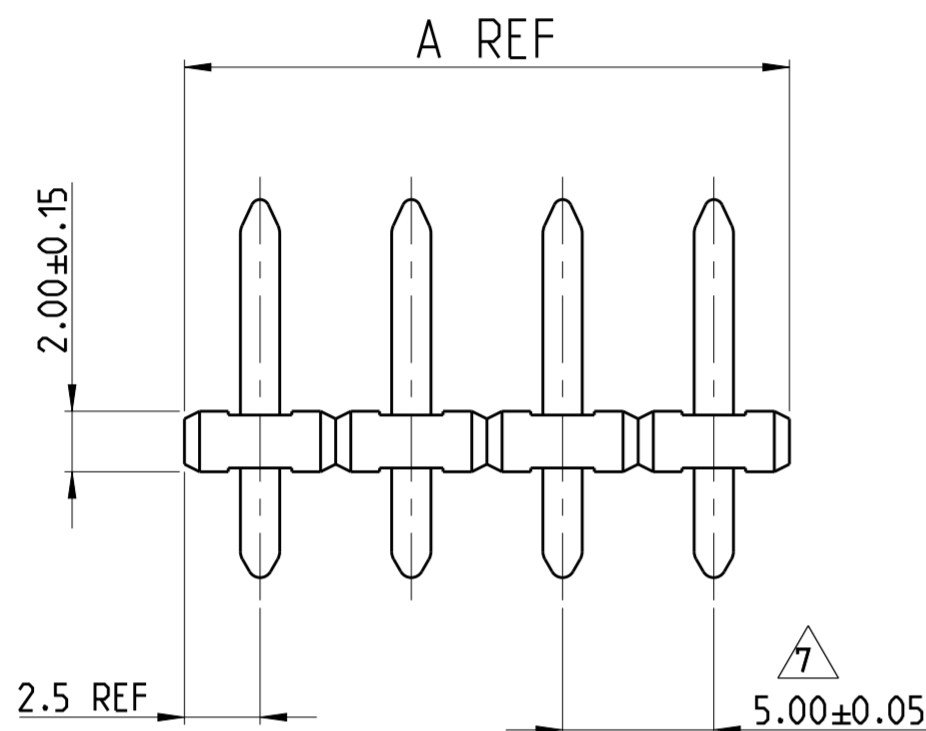
| LOC | DIST | REVISIONS | | | | | |
|-----|------|-----------|-----|---------------------------|-----------|-----|------|
| FT | 0 | P | LTR | DESCRIPTION | DATE | DWN | APVD |
| | | A9 | | REVISED PER ECO-14-009593 | 01JUL2014 | NK | MM |
| | | A10 | | CORRECTION OF NOTES | 08JUN2016 | FP | NG |



1546931-4 AS SHOWN



RECOMMENDED PC BOARD LAYOUT



| | | | | | | |
|-------------|---------|--------------|---------------|------------|-------------|-------------|
| PRELIMINARY | BLACK | TIN | TAPE AND REEL | 55 | 11 | 3-1546931-5 |
| PRELIMINARY | BLACK | TIN | TAPE AND REEL | 45 | 9 | 3-1546931-4 |
| | GRAY | TIN | - | 45 | 9 | 3-1546931-3 |
| | BLACK | TIN | TAPE AND REEL | 15 | 3 | 3-1546931-2 |
| PRELIMINARY | BLACK | TIN | TAPE AND REEL | 10 | 2 | 3-1546931-1 |
| OBSOLETE | BLACK | 0.254um GOLD | - | 10 | 2 | 3-1546931-0 |
| | BLACK | TIN | TAPE AND REEL | 25 | 5 | 2-1546931-9 |
| | BLACK | TIN | TAPE AND REEL | 20 | 4 | 2-1546931-8 |
| OBSOLETE | BLACK | TIN | TUBES | 25 | 5 | 2-1546931-7 |
| OBSOLETE | BLACK | TIN | TUBES | 20 | 4 | 2-1546931-6 |
| | BLACK | TIN | | 125 | 25 | 2-1546931-5 |
| | BLACK | TIN | | 120 | 24 | 2-1546931-4 |
| | BLACK | TIN | | 115 | 23 | 2-1546931-3 |
| | BLACK | TIN | | 110 | 22 | 2-1546931-2 |
| | BLACK | TIN | | 105 | 21 | 2-1546931-1 |
| | BLACK | TIN | | 100 | 20 | 2-1546931-0 |
| | BLACK | TIN | | 95 | 19 | 1-1546931-9 |
| | BLACK | TIN | | 90 | 18 | 1-1546931-8 |
| | BLACK | TIN | | 85 | 17 | 1-1546931-7 |
| | BLACK | TIN | | 80 | 16 | 1-1546931-6 |
| | BLACK | TIN | | 75 | 15 | 1-1546931-5 |
| | BLACK | TIN | | 70 | 14 | 1-1546931-4 |
| | BLACK | TIN | | 65 | 13 | 1-1546931-3 |
| | BLACK | TIN | | 60 | 12 | 1-1546931-2 |
| OBSOLETE | BLACK | TIN | | 55 | 11 | 1-1546931-1 |
| | BLACK | TIN | | 50 | 10 | 1-1546931-0 |
| | BLACK | TIN | | 45 | 9 | 1546931-9 |
| | BLACK | TIN | | 40 | 8 | 1546931-8 |
| | BLACK | TIN | | 35 | 7 | 1546931-7 |
| | BLACK | TIN | | 30 | 6 | 1546931-6 |
| | BLACK | TIN | | 25 | 5 | 1546931-5 |
| | BLACK | TIN | | 20 | 4 | 1546931-4 |
| | BLACK | TIN | | 15 | 3 | 1546931-3 |
| | BLACK | TIN | | 10 | 2 | 1546931-2 |
| COLOR | PLATING | PACKAGING | A REF | NO OF POSN | PART NUMBER | |

NOTES

- MATERIALS AND FINISH:
 HOUSING: HIGH TEMP PA, UL 94-V0. COLOR: SEE TABLE.
 TEMPERATURE RATING OF 260°C AT 1 MINUTE.
 TERMINAL: BRASS, TIN PLATED.
 - MECHANICAL
 MAX. INSERTION FORCE PER HOLE : 2 N
 MIN. WITHDRAWAL FORCE PER HOLE : 1.2 N
 MAX PC BOARD THICKNESS : 2.4mm
 MIN PC BOARD HOLE DIAMETER : 1.4mm
 - ELECTRICAL
 WIRE RANGE : 30 - 14 AWG
 MAX. VOLTAGE : 300 V
 MAX CURRENT : 12 A
 CONTACT RESISTANCE : < 15 m Ohm
 INSULATION RESISTANCE : > 1000 M Ohm (500V DC)
 - END-TO-END STACKABLE WITHOUT LOSS OF CENTERLINE SPACING.
 - RECOGNIZED UNDER THE COMPONENT PROGRAM OF UNDERWRITERS LABORATORIES INC. FILE N° E60677.
 - OPERATING TEMPERATURE RANGE: -40°C TO +110°C
- 7 NOT CUMULATIVE TOLERANCE.

THIS DRAWING IS A CONTROLLED DOCUMENT.

DWN S.WELDON 30JAN2004
 CHK C.RICHARD 30JAN2004
 APVD C.RICHARD 30JAN2004

STE TE Connectivity

NAME: TERMINAL BLOCK, PIN HEADER, UNSHROUDED, HIGH TEMPERATURE, 5.0mm PITCH

PRODUCT SPEC: 108-20166
 APPLICATION SPEC: 114-20079

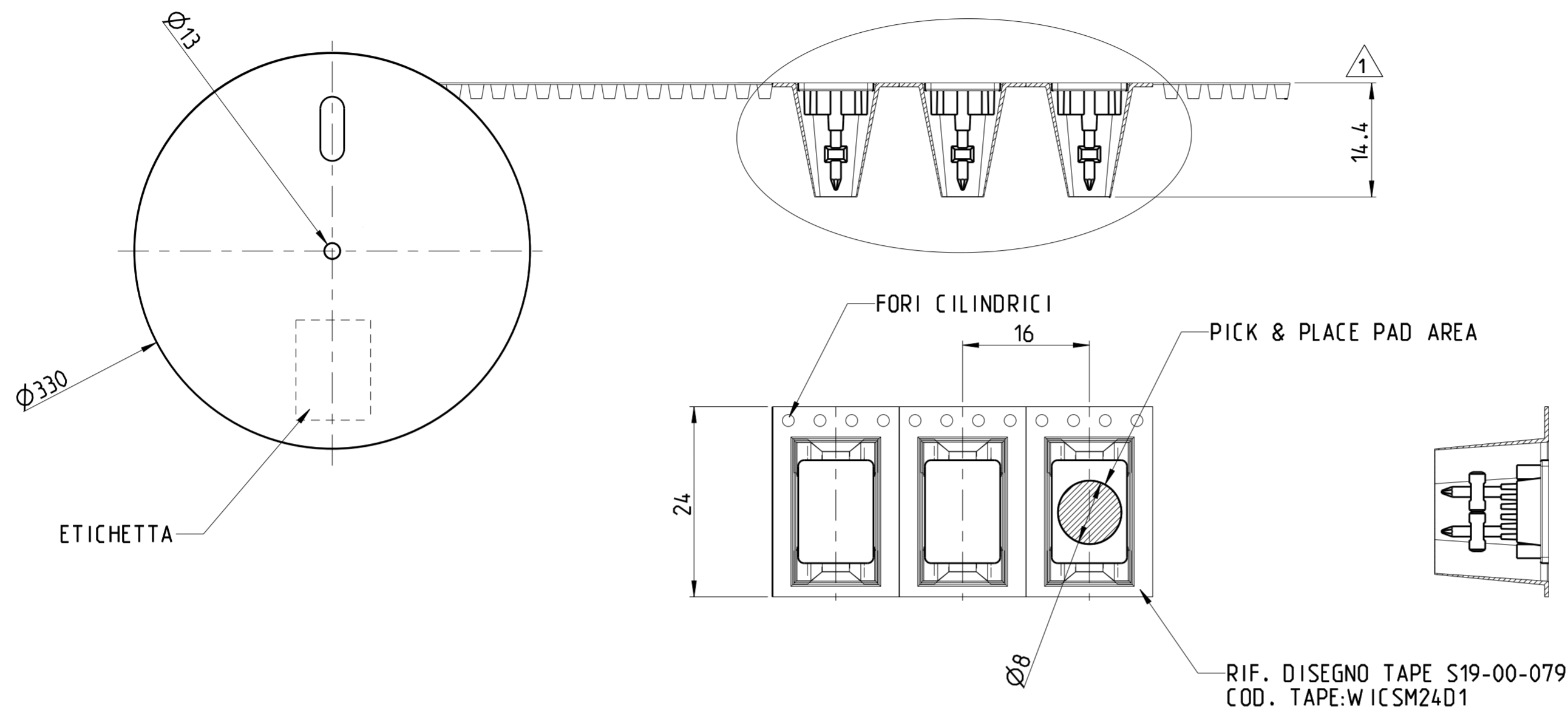
SIZE: A2 CAGE CODE: 00779 DRAWING NO: C-1546931 RESTRICTED TO: -

SCALE: 4:1 SHEET 1 OF 2 REV: A10

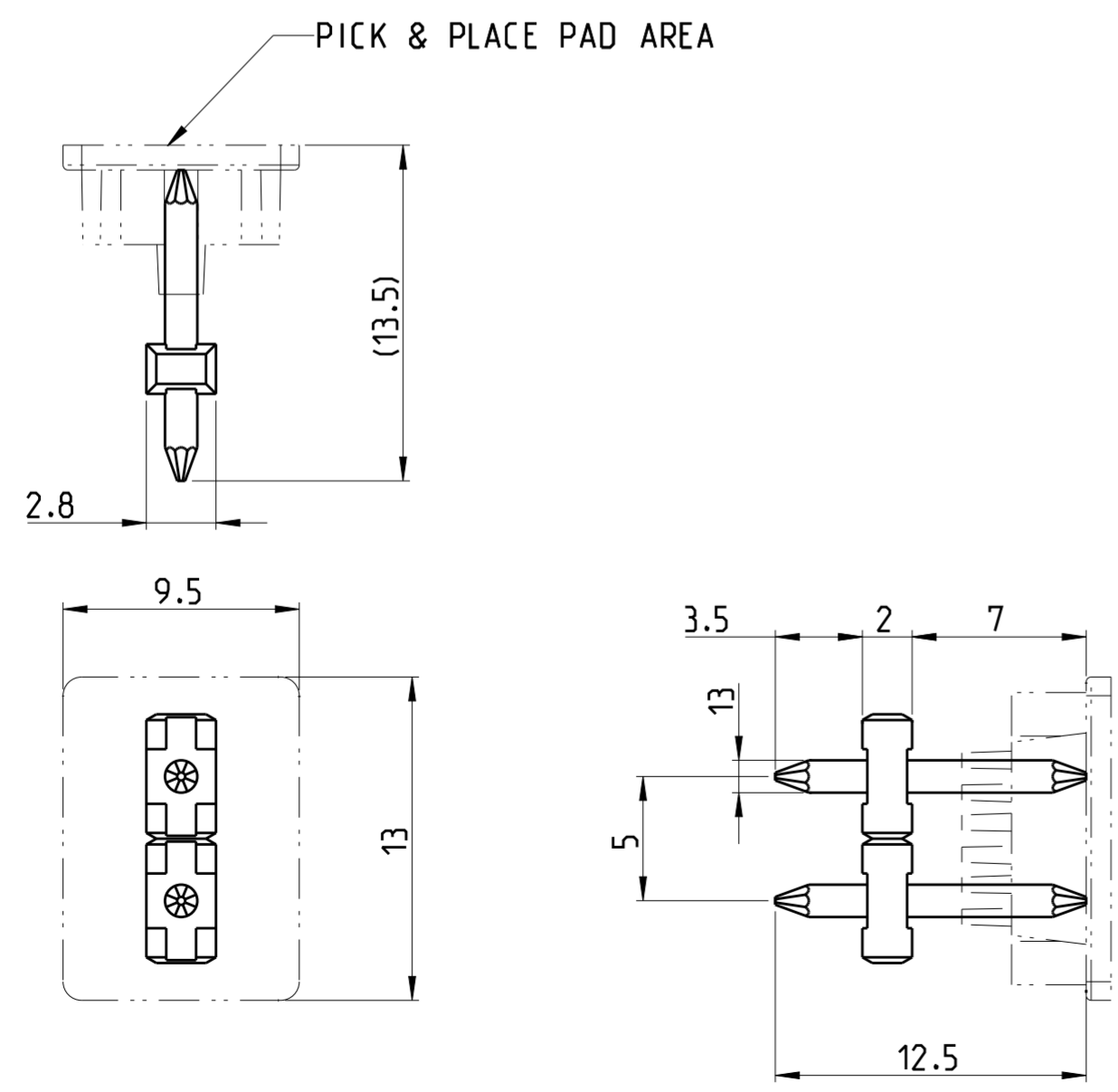
CUSTOMER DRAWING

THIS DRAWING IS UNPUBLISHED. RELEASED FOR PUBLICATION 20
 (C) COPYRIGHT 20 ALL RIGHTS RESERVED.

| LOC | DIST | REVISIONS | | | | | |
|-----|------|-----------|-----|-------------|------|-----|------|
| FT | 0 | P | LTR | DESCRIPTION | DATE | DWN | APVD |
| | | - | | SEE SHEET 1 | - | - | - |



NOTE:
300 PCS PER REEL



| | | | | | | |
|--|--|-----------------------------|---------------------|---|-----------|------------|
| THIS DRAWING IS A CONTROLLED DOCUMENT. | | DWN S. WELDON 30 JAN 2004 | TE Connectivity | NAME | | |
| DIMENSIONS: mm | | CHK C. RICHARD 30 JAN 2004 | | TERMINAL BLOCK, PIN HEADER, UNSHROUDED, HIGH TEMPERATURE, 5.0mm PITCH | | |
| TOLERANCES UNLESS OTHERWISE SPECIFIED: | | APVD C. RICHARD 30 JAN 2004 | | SIZE | CAGE CODE | DRAWING NO |
| 0 PLC \pm 1 PLC ± 0.3 2 PLC ± 0.25 3 PLC \pm 4 PLC \pm ANGLES $\pm 2^\circ$ FINISH | | PRODUCT SPEC 108-20166 | | A2 | 00779 | C-1546931 |
| MATERIAL | | APPL. SPEC 114-20079 | WEIGHT | RESTRICTED TO | | |
| | | CUSTOMER DRAWING | SCALE 4:1 | SHEET 2 OF 2 | REV A10 | |