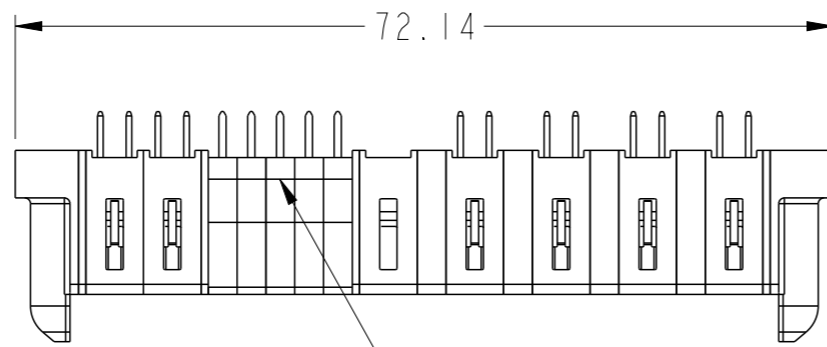
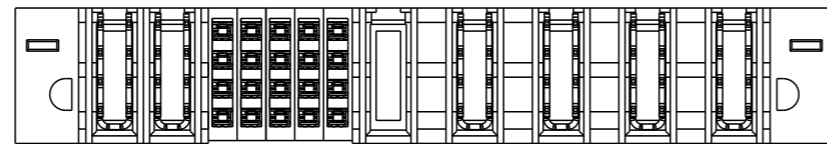
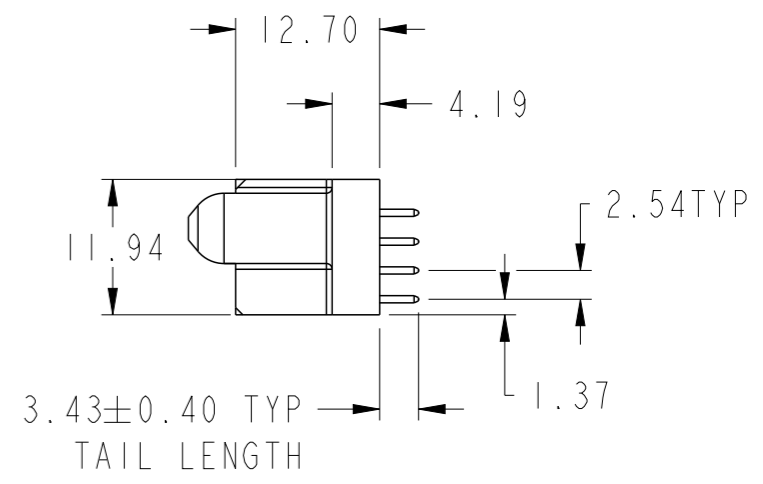
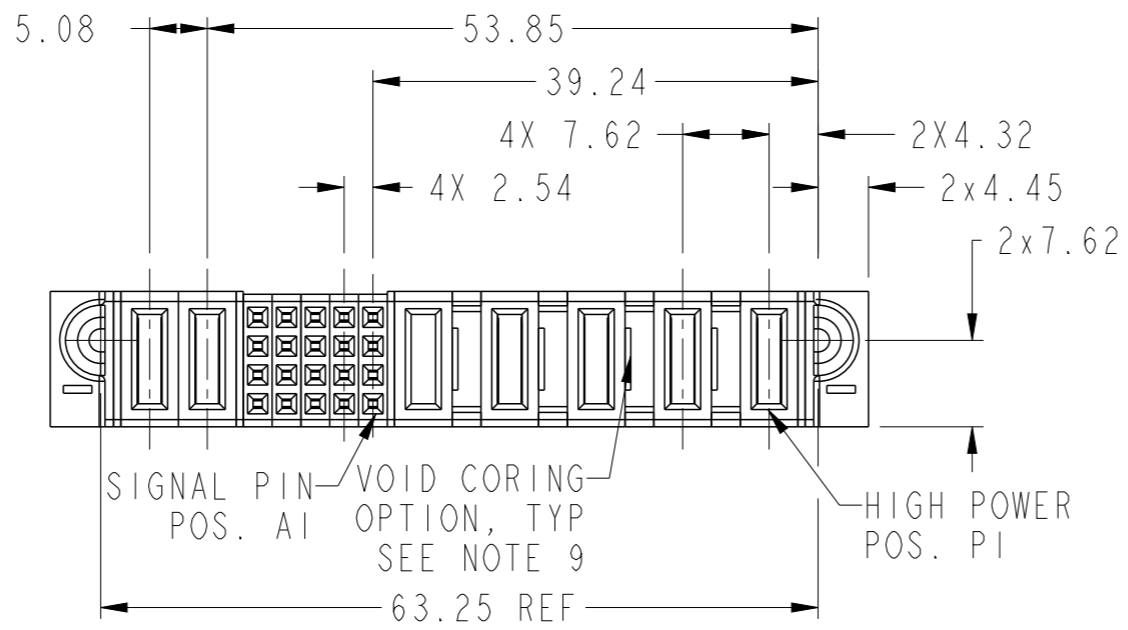


PRODUCT NUMBER SEE SHEET 2



72.14

NOTE 1

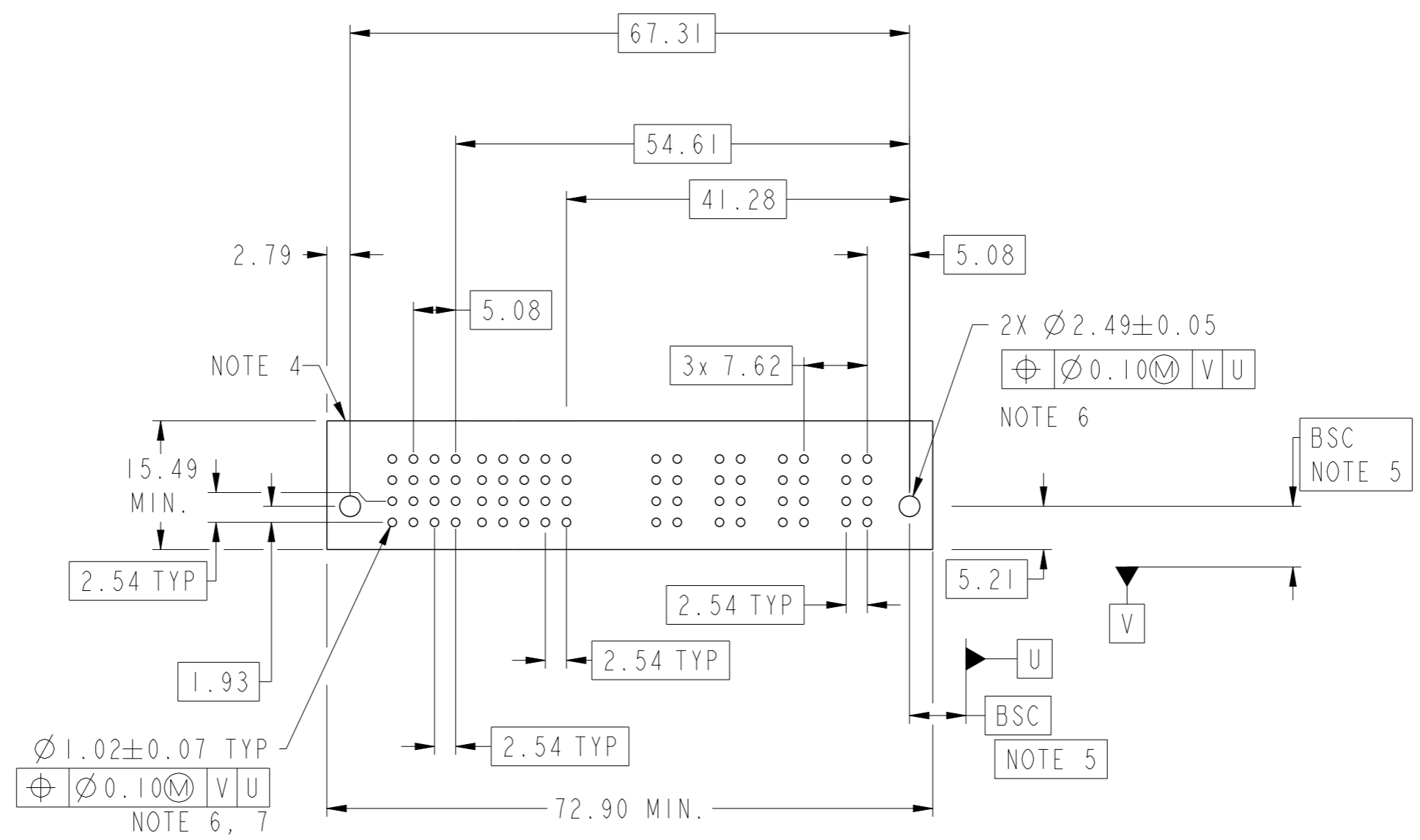


Copyright FCI.

| | | | | | | | | | | |
|---------------------------------------|---------|------|--------------|------------|----------------|-------------|-----------|------------------|-------|-----|
| spec ref | | dr | Xie Bob | 2014/03/27 | projection | MM ←→ | size | A3 | scale | 3:2 |
| tolerance std ASME Y14.5 | | eng | Rainbow Zhan | 2014/07/03 | | | ecn no | - | | |
| TOLERANCES UNLESS OTHERWISE SPECIFIED | | chr | Li-He | 2014/07/03 | | | rel level | Released | | |
| surface | linear | 0.X | ±0.50 | | product family | PowerBlade+ | dwg no | 10106268-7005001 | rev | A |
| | | 0.XX | ±0.25 | | | | | | | |
| ASME Y14.5 | angular | 0° | ±2° | | | | | | | |

| PRODUCT NO. | ROWS | HP | | SIGNAL | | | | | HIGH POWER | | | | | E2 | | |
|--------------------|------|----|----|--------|---|---|---|---|------------|----|----|----|----|----|----|--|
| | | E1 | P7 | P6 | 5 | 4 | 3 | 2 | 1 | P5 | P4 | P3 | P2 | | P1 | |
| 10106268-7005001LF | DCBA | | H3 | H3 | E | E | E | E | E | E | X | H3 | H3 | H3 | H3 | |

| CODE | DESCRIPTION |
|------|-------------------------------|
| E | STD SIGNAL CONTACT |
| H3 | STD HIGH POWER CONTACT (3.43) |
| X | OMITTED |



| | | | | | | | | | |
|-------------|----------------|------------|------------------------------------|------------------------|--------|------------------|--------------|----------|---|
| dr | Xie Bob | 2014/03/27 | projection | MM | size | A3 | scale | 3:2 | |
| eng | Rainbow Zhan | 2014/07/03 | | | ecn no | - | rel level | Released | |
| chr | Li-He | 2014/07/03 | | | | | | | |
| appr | Pei-Ming Zheng | 2014/07/03 | product family | PowerBlade+ | | | | | |
| | | | 5ACP+20S+2HDP VT STB RECEPTACLE | | dwg no | 10106268-7005001 | | rev | A |
| www.fci.com | | | cat. no. | Product - Customer Drw | | | sheet 2 of 3 | | |

Copyright FCI.

A

B

C

D

A

B

C

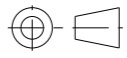
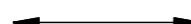

D

NOTES:

- 1) "FCI", PART NUMBER AND DATE CODE TO BE MARKED ON THIS SURFACE.
THE MARK CAN BE OMITTED IF THERE IS NOT ENOUGH SPACE ON THIS SURFACE.
- 2) MATERIALS:
-HOUSING - GLASS FILLED WITH HIGH TEMP THERMOPLASTIC, UL94V-0.
-SIGNAL CONTACT - COPPER ALLOY.
-POWER CONTACT - HIGH CONDUCTIVITY COPPER ALLOY.
- 3) PLATING SPECIFICATION REFER TO FCI 10116351
- 4) DENOTES CONNECTOR KEEP OUT ZONE.
- 5) DATUM AND BASIC DIMENSIONS WERE ESTABLISHED BY CUSTOMER.
- 6) ALL HOLE DIAMETERS ARE FINISHED HOLE SIZES.
- 7) 1.15 ± 0.025MM DRILLED HOLE PLATED WITH 0.00762MM MIN Sn
OVER 0.0254-0.0762MM Cu PLATING TO ACHIEVE A 1.02 ± 0.07MM HOLE.
- 8) PRODUCT SPECIFICATION REFER TO FCI GS-12-658.
APPLICATION SPECIFICATION REFER TO FCI GS-20-141.
PRODUCT PACKAGED IN TRAYS, REFER TO FCI GS-14-1502.
- 9) THE VOID CORING IN BETWEEN POWER MODULES, SIGNAL
MODULES AND END MODULES ARE OPTIONAL AND THE SHAPE
MAY BE DIFFERENT FOR OPTIMIZE THE MOLDING PROCESS. THE
VOID CORING WILL NOT EFFECT TO PRODUCT FUNCTION.



Copyright FCI.

| | | | | | | | | |
|---|----------------|---|---|---|----------------|-------------|-----------|----------|
| dr | Xie Bob | 2014/03/27 | projection  | MM  | size | A3 | scale | 1:1 |
| eng | Rainbow Zhan | 2014/07/03 | | | ecn no | - | | |
| chr | Li-He | 2014/07/03 | | | product family | PowerBlade+ | rel level | Released |
| appr | Pei-Ming Zheng | 2014/07/03 | | | | | | |
|  | | title 5ACP+20S+2HDP VT STB RECEPTACLE | | dwg no 10106268-7005001 | rev A | | | |
| www.fci.com | | cat. no. | Product - Customer Drw | | sheet 3 of 3 | | | |