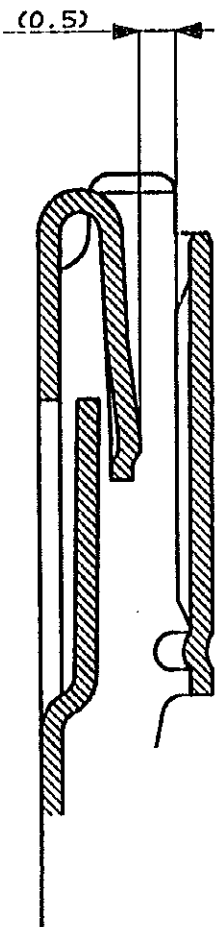
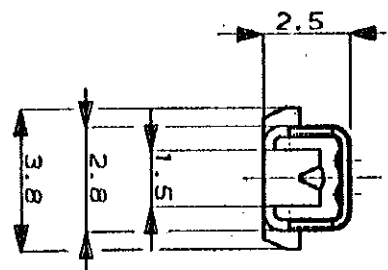
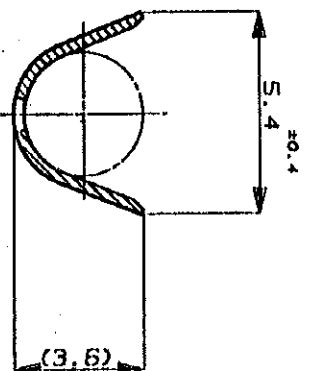
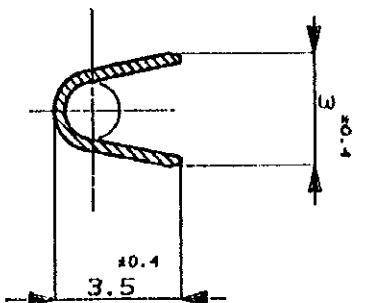
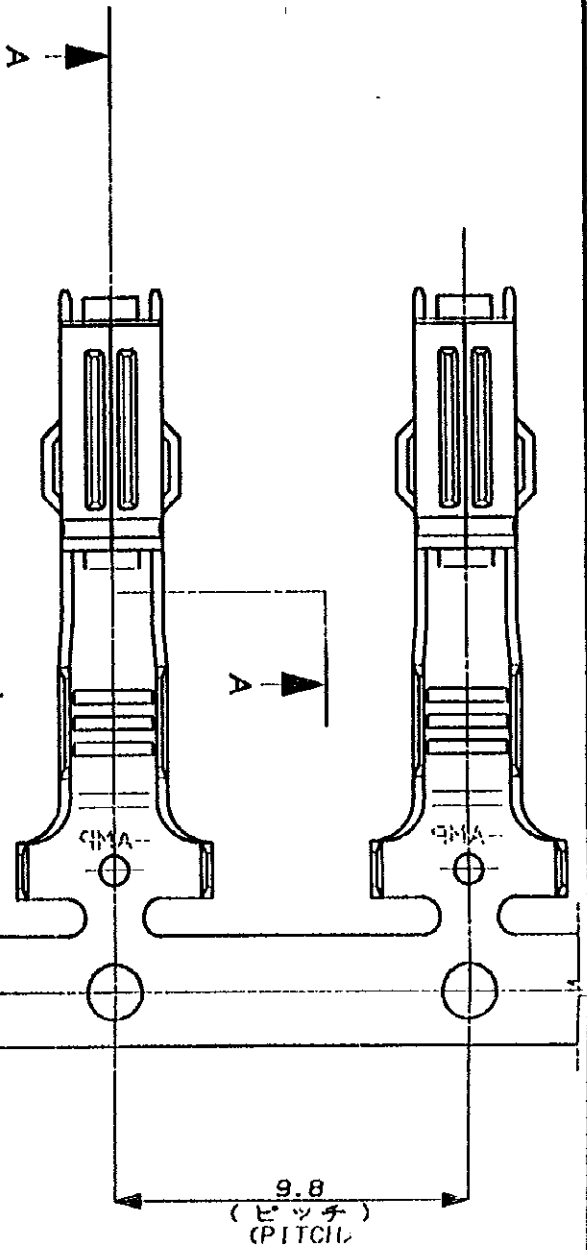


DIMENSIONS IN MILLIMETERS. DO NOT SCALE PRINT



SECT. A-A  
断面 A-A  
尺度 : 10-1  
SCALE, 10-1

NOTE:  
△ SELECTIVE GOLD PLATING ALONG CONTACT AREA AFTER ALL OVER NICKEL PLATING

注:  
△ 全面ニツカルメッキ上に接触部にのみ部分金メッキを施す

LTR	REVISION RECORD	DR	CHK	DATE
0	RELEASED 作図 J-10627	Y.F.		

WIRE RANGE	INSULATION DIA	NAME
AVG AVS 0.5-1.35 mm <sup>2</sup> (AWG20-16)	2-2.6 mmφ	.070 SERIES RECEPTACLE CONTACT ECONOMICAL J-MARKET CONNECTOR
MATERIAL	FINISH	AMP (JAPAN), LTD. Tokyo, Japan
KLF-5, 板厚 : 0.3	SEE TABLE	
DR. Y. FUJIMORI	DE. K. ODA	
TOT/19/88	DE. K. ODA	
CHK. Y. FUJIMORI	APP. Y. FUJIMORI	

FINISH	NAME	NO.
GOLD PLATING めっき	.070 SERIES RECEPTACLE CONTACT ECONOMICAL J-MARKET CONNECTOR	1
	AMP (JAPAN), LTD. Tokyo, Japan	
	SCALE	REV.
	A3	0
	5-1	0
	1 OF 1	

CUSTOMER DRAWING