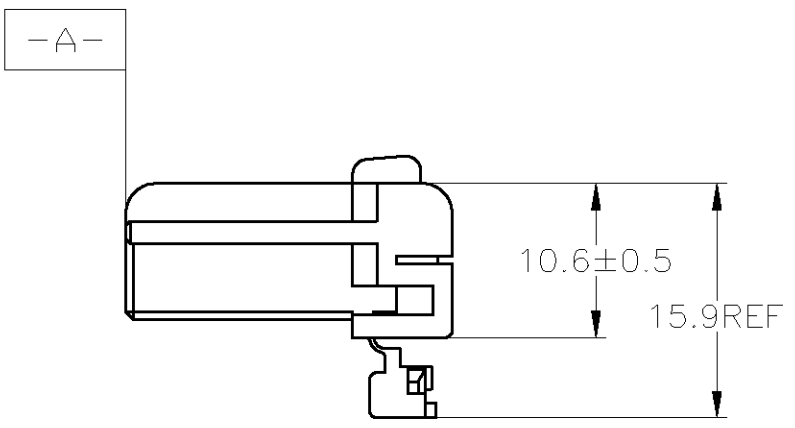
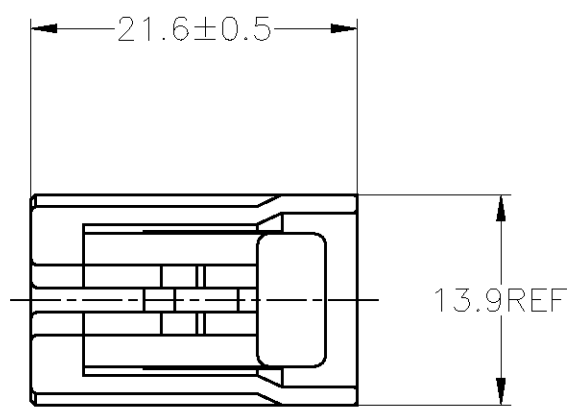
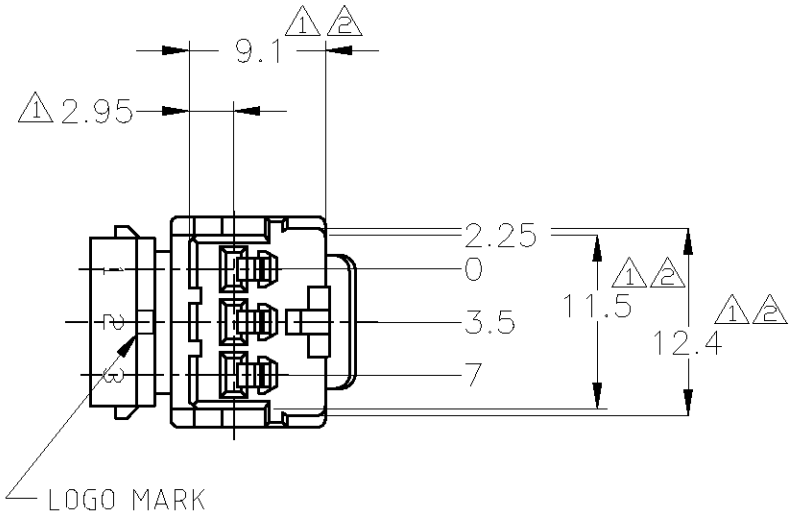


THIS DRAWING IS UNPUBLISHED. RELEASED FOR PUBLICATION
 © COPYRIGHT - By - ALL RIGHTS RESERVED.

LOC	DIST	REVISIONS					
J	-	P	LTR	DESCRIPTION	DATE	DWN	APVD
		D3	REVISED	ECR-12-021403	12DEC2012	TS	KB



- ▲ -A- 面より2mmの範囲で測定
- ▲ 相手ハウジングと所定の機能を満足して嵌合できること
- 3. 内装するリセプタクルコンタクトは、型番173630及び173631
- ▲ TO BE MEASURED WITHIN 2mm FROM -A-
- ▲ TO BE MATE WITH CAP HOUSING SMOOTHLY
- 3. APPLICABLE RECEPTACLE CONTACT PART NUMBERS 173630, 173631

V-2	自然色 (NATURAL)	1-174921-1
HB	黄 (YELLOW)	174921-7
	灰 (GRAY)	174921-6
	青 (BLUE)	174921-5
	緑 (GREEN)	174921-4
	黒 (BLACK)	174921-2
	自然色 (NATURAL)	174921-1
使用材料難燃グレード (FLAMMABILITY OF MATERIAL)		色 (COLOR) 型番 (PART NUMBER)

THIS DRAWING IS A CONTROLLED DOCUMENT.

DIMENSIONS: 単位: 耗 mm	TOLERANCES UNLESS OTHERWISE SPECIFIED: 一般公差
	0 PLC ±-
	1 PLC ±-
	2 PLC ±-
	3 PLC ±-
	4 PLC ±-
ANGLES ±-	

一般公差 GENERAL TOLERANCE
0<* < 10 : ±0.2
10<* < 30 : ±0.25
30<* < 100 : ±0.3
ANGLES : ±3°

MATERIAL 材料	PBT
FINISH 仕上	-

DWN	S.FUJITA	15JUL08
CHK	T.SHINOHARA	15JUL08
APVD	K.BETSUI	15JUL08
PRODUCT SPEC	製品規格 108-5216, 5264	
APPLICATION SPEC	取付適用規格	
WEIGHT	1.9g	

STE TE Connectivity			
070 SERIES MULTILOCK CONNECTOR 3POSITION PLUG HOUSING			
SIZE	CAGE CODE	DRAWING NO 番号	RESTRICTED TO
A3	00779	C-174921	-
CUSTOMER DRAWING		SCALE 尺度 2:1	SHEET 1 OF 1 REV D3