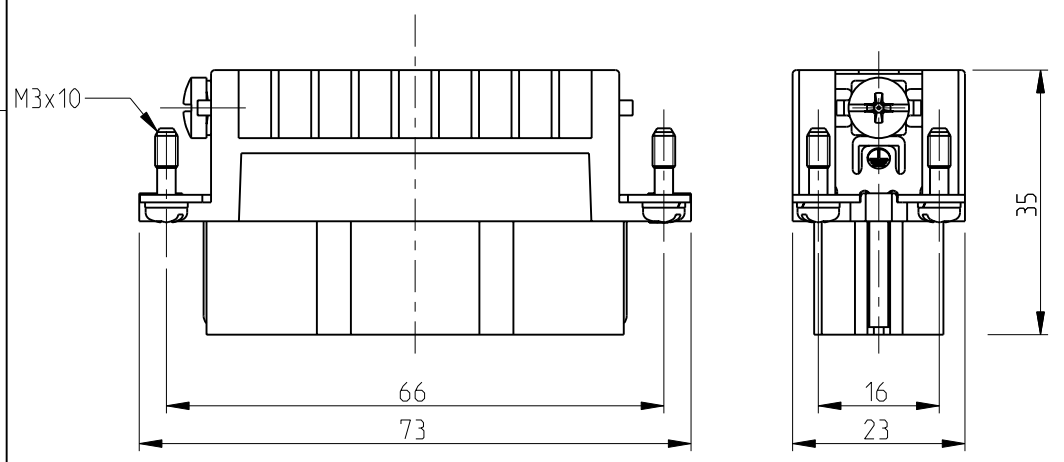


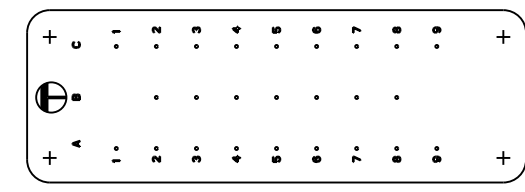
THIS DRAWING IS UNPUBLISHED. RELEASED FOR PUBLICATION .1997
 © COPYRIGHT 1997 BY TYCO ELECTRONICS CORPORATION. ALL RIGHTS RESERVED.

LOC		DIST		REVISIONS					
A1				P	LTR	DESCRIPTION	DATE	DWN	APVD
					A5	Released as per ECR-08-019210	31.Jul.2008	SP	TS

PN 2-3 as shown



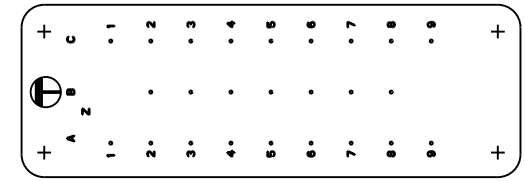
CONTACT ARRANGEMENT FOR PN 2-3 & 2-8
 VIEW FROM TERMINATION SIDE



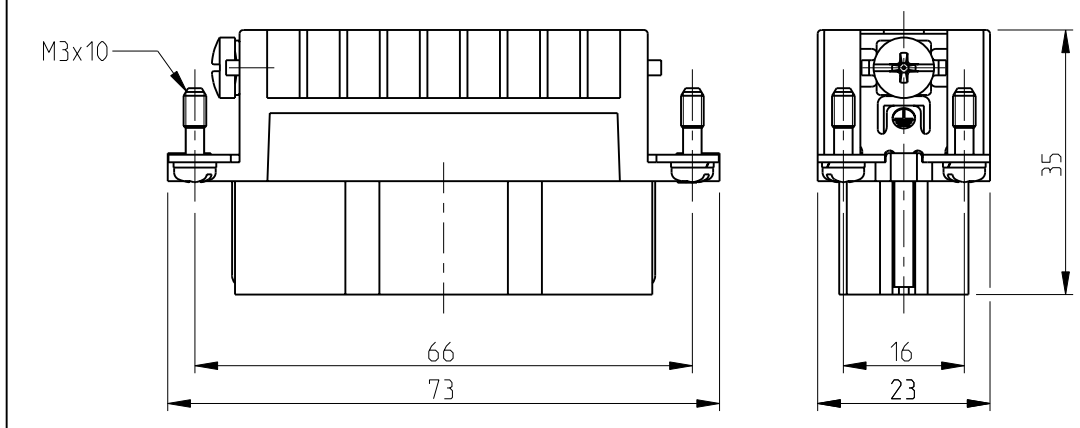
NOTES

- 1 Material: Insert , PC UL-File Nr : E101788(R)
- 2 Finish: Zinc plated contact: Ag, Au
- 3 Packaging quantity 5 pieces in box.

CONTACT ARRANGEMENT FOR PN 0-1
 VIEW FROM TERMINATION SIDE

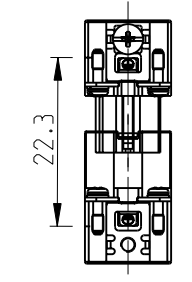


PN 0-1 as shown

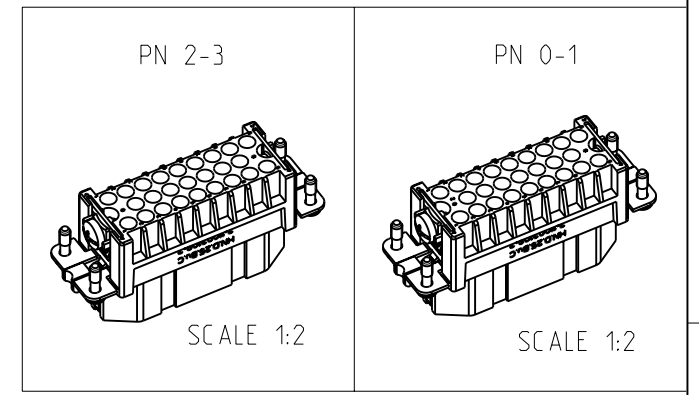


ASSEMBLING INSTRUCTION

Max. 24mm was away for safe contacting

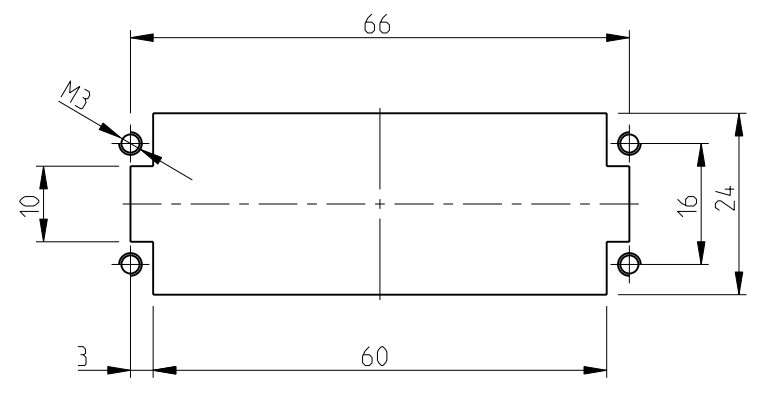


SCALE 1:2



Panel cutout for contact insert

When used without housing



1	1	Socket Insert HN.D25	Ryton	Dark Brown	2	
		Socket Insert HN.D25	1	Dark Grey	1	
0-1	2-8	2-3	DESCRIPTION	MATERIAL	COLOR	ITEM NO
ORDERING TEXT						
HN.D25.Bu.C B1-25						
HN.D RY.25.Bu.C B1-25						
HN.D25.Bu.C B1-25/Z						

DIMENSIONS: mm		TOLERANCES UNLESS OTHERWISE SPECIFIED: n-ISO 80: n-ISO 2768-mH-E: n-DIN 9130-120	
0 PLC	±	1 PLC	±
2 PLC	±	3 PLC	±
4 PLC	±	ANGLES	±
MATERIAL	1	FINISH	2

DWN	Schneider	03.11.1999	Tyco Electronics		Tyco Electronics.AMP.GmbH D-53819.Neunkirchen.Germany	
CHK	Schweiger	03.11.1999	NAME			
APVD	-	-	Female insert HN.D.25.Bu.C			
PRODUCT SPEC	-		SIZE	CAGE CODE	DRAWING NO	RESTRICTED TO
APPLICATION SPEC	-		A3	00779	1103109	
WEIGHT	57 g		SCALE 1:1 SHEET 1 OF 1 REV A5			
CUSTOMER DRAWING						